



Sleek. Simple.  
Radiant.





*All cylinders are 4" in width and vary from 4" to 12" in length*



## Sometimes you flip a switch, and everything changes

DMF Lighting is proud to introduce the DCC2, a one of a kind LED cylinder. Its combination of precision illumination and elegant aesthetics can take your designs to new heights. And with a diverse range of form factors and customizable options, the DCC2 adapts easily to all kinds of applications, whether indoor or outdoor, residential or commercial.

At the heart of this highly versatile cylinder is the DMF LED technology that marries high performance with great value.



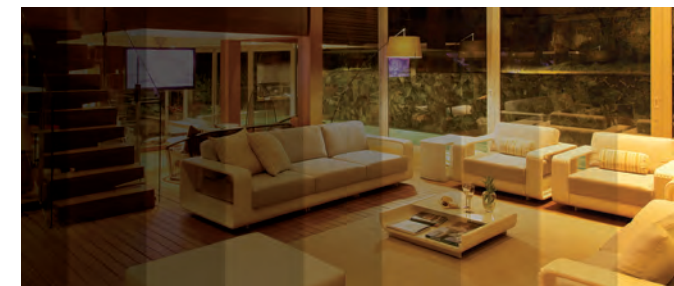
## One form, endless possibilities

While its simple form never changes, everything else about the DCC2 can. We offer four different mounting options to give you the flexibility you need for almost any space. In addition, you can select a standard color such as white, black, bronze and brushed aluminum, or pick a custom color that matches your project.



## Light that brings design to life

For discerning clients and demanding projects, only the best will do. That's why we've engineered the DCC2 to be as beautiful as the spaces you create. Its clean, minimalist form allows it to complement almost any design, but its true strength is the quality of illumination it delivers. Featuring highly customizable lighting options, LEDs that can transform the way people see and interact with your building.

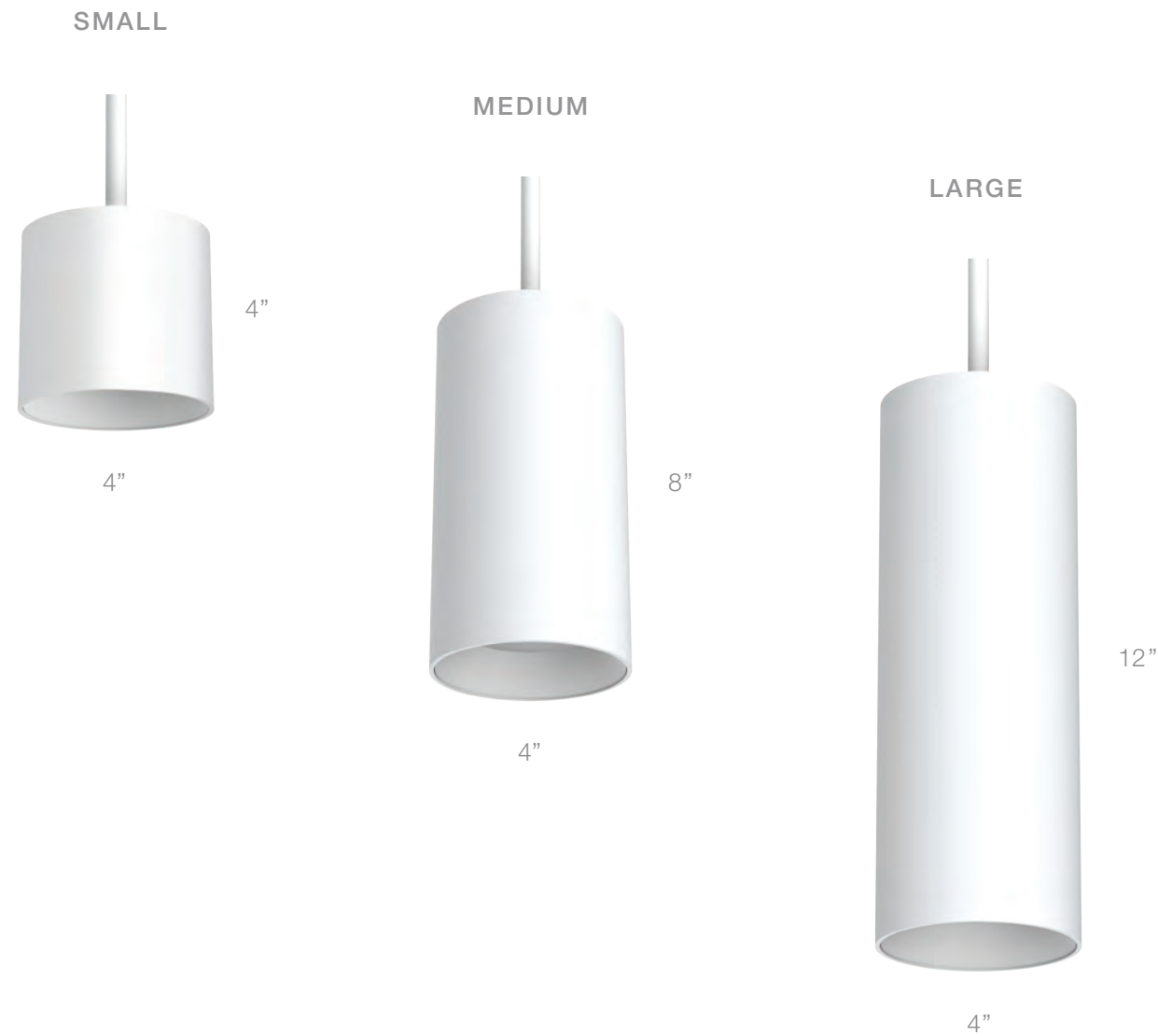


### Turn down and turn heads

Most dimming solutions require the installation of remote drivers and unsightly dimming connections, but the DCC2 offers phase control, 0-10V or Lutron® Hi-Lume™ 1% without the use of external drivers.

# Powerful versatility

## Available mount options:



Beyond its visual strengths, the DCC2 gives you an excellent range of options when it comes to where and how it fits into a space. The cylinder comes in small, medium, and large lengths and four different lumen outputs, as well as wet location variants.

### Stem Mount

Suspends from a standard 24" painted steel stem with a hang straight endpoint and round canopy. Optional features include custom stem lengths up to 96" long and a wet location variant for outdoor applications.



### Cord Mount

Mounts to the ceiling from a minimal cord and round canopy, the Cord Mount offers a minimalist aesthetic that fits well in practically any space. The standard cord length is 24" with up to 48" available.

### Wall Mount

Featuring a reversible mounting option, the Wall Mount is great for accenting columns, surfaces or pathways. It can function as a downlight, uplight or both, and the wet location variant makes it compatible with both indoor and outdoor applications.



### Surface Mount

The most minimalistic option, the Surface Mount hangs directly from the ceiling with no visible attachment. Multiple DCC2 Surface Mounts can also be arranged together to make a unique fixture.

# Powered by DMF's incredible LED technology



## Key LED Benefits

- Lower operating cost
- Much longer lifespan
- Reduced maintenance and waste
- Vibrant, full spectrum light
- Vivid colors

Today's leading designers are all moving in one direction: towards adopting LED lighting. It's less expensive, easier to maintain and renders more accurately than conventional lighting. When it comes to LEDs, DMF's technology is second to none.

We use premium components and test every LED to ensure build quality, and also provide a five year limited warranty for each of our products.

## Simple to order, simple to install

A craftsman is only as good as his tools, so you'll be in excellent hands when you use the DCC2 in your designs.



Low profile innovative canopy uses magnets for simple, perfect architectural alignment

Four standard or custom color finishes available, all ready for outdoor application



Twist & Lock feature

750, 1000, 1500 and 2000 lumen outputs with 2700K, 3000K, 3500K, 4000K color temps

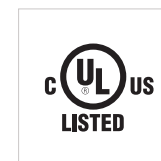
High performance dimming inside (phase control, 0-10V & Lutron Hi-Lume 1% available)

Single lamp source for recessed, surface, pendant and wall lighting

Optional frosted decorative trim



UL listed for wet location





# Specs at a Glance

Application	New Construction, Remodel, Retrofit
Product Code	DCC2
Product Description	LED Cylinder
Size	Length: Small (4"), Medium (8"), Large (12") Diameter: 4"
Mount	Surface, Stem, Cord, Wall
Stem/Cord Length	24" (standard), Up to 96" (custom stem) & Up to 48" (custom cord)
Finish	White, Black, Bronze, Brushed Aluminum, Custom
Lumen Output (Power)	750 lm (11.8W), 1000 lm (14.7W), 1500 lm (19.5W), 2000 lm (29.0W), 750 / 750 lm (11.8W / 11.8W), 1000 / 1000 lm (14.7W / 14.7W), 750 / 1000 lm (11.8W / 14.7W)
Color Quality	90+, 2-step SDCM
CCT Options	2700K, 3000K, 3500K, 4000K
Lifetime (L70)	50,000 hrs
Input Voltage	120/277V
Dimming	TRIAC/ELV dimming to less than 5% total output for 120V only, 0-10V or Lutron® Hi-lume® 1% dimming for 120/277V
Listings	cULus Listed, ENERGY STAR® qualified, Title 24 compliant, CEC listed, UL Listed for Damp Location, UL Listed for Wet Location (wet models)
Junction Box Compatibility	Surface, Cord and Stem Mount: 3" octagonal, 4" octagonal, 3" round and 4" round box; Wall Mount: one-gang switch box; Wet Location Wall Mount: two-gang switch, 3" octagonal, 4" octagonal, 3" round, 4" round and 4" square box
Warranty	5 years

## Surface Mount



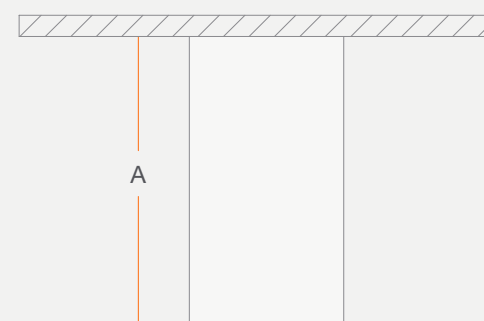
### DCC2SW

Surface Mount,  
Wet Location LED Cylinder

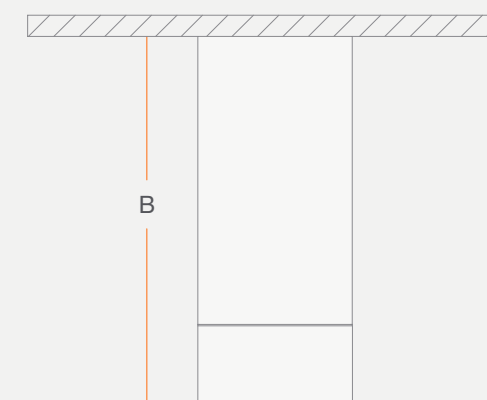


### DCC2SW + DCC2X-DFT

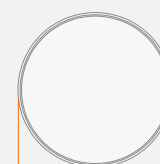
Surface Mount, Wet Location  
LED Cylinder with Frosted Trim



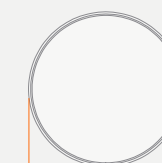
A



B



Ø 4 5/16"  
(109mm)



Ø 4 5/16"  
(109mm)

#### CYLINDER SIZE A

- Small** 4" (102 mm)
- Medium** 8" (203 mm)
- Large** 12" (305 mm)

#### CYLINDER SIZE B

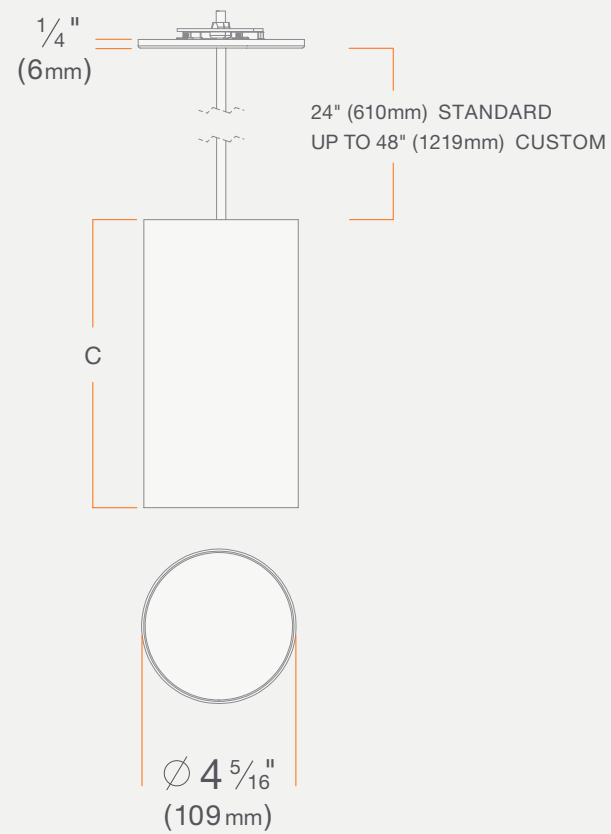
- Small** 6 3/16" (158 mm)
- Medium** 10 3/16" (259 mm)
- Large** 14 3/16" (361 mm)

## Cord Mount



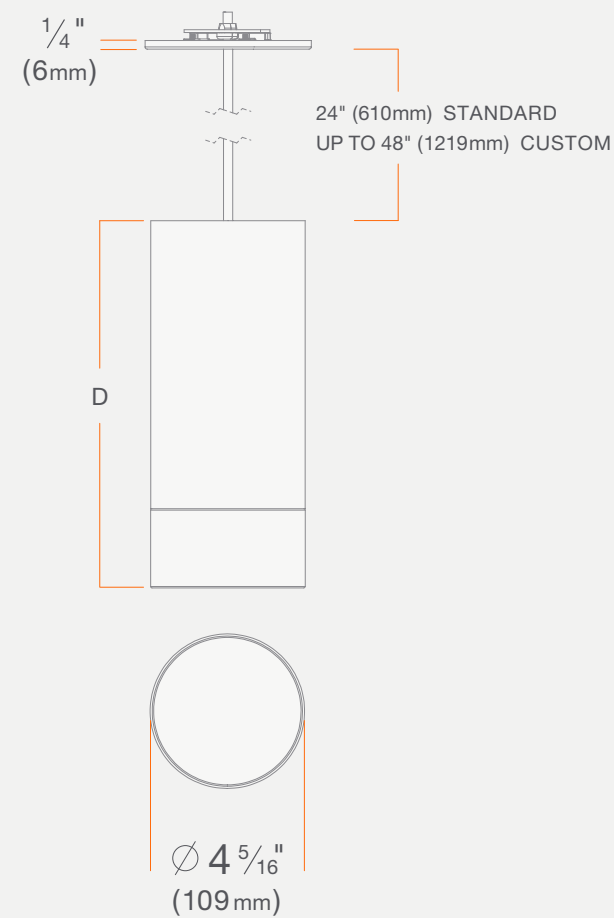
### DCC2CM

Cord Mount  
LED Cylinder



### DCC2CM + DCC2X-DFT

Cord Mount LED Cylinder  
with Frosted Trim



#### CYLINDER SIZE C

<b>Small</b>	4" (102 mm)
<b>Medium</b>	8" (203 mm)
<b>Large</b>	12" (305 mm)

#### CYLINDER SIZE D

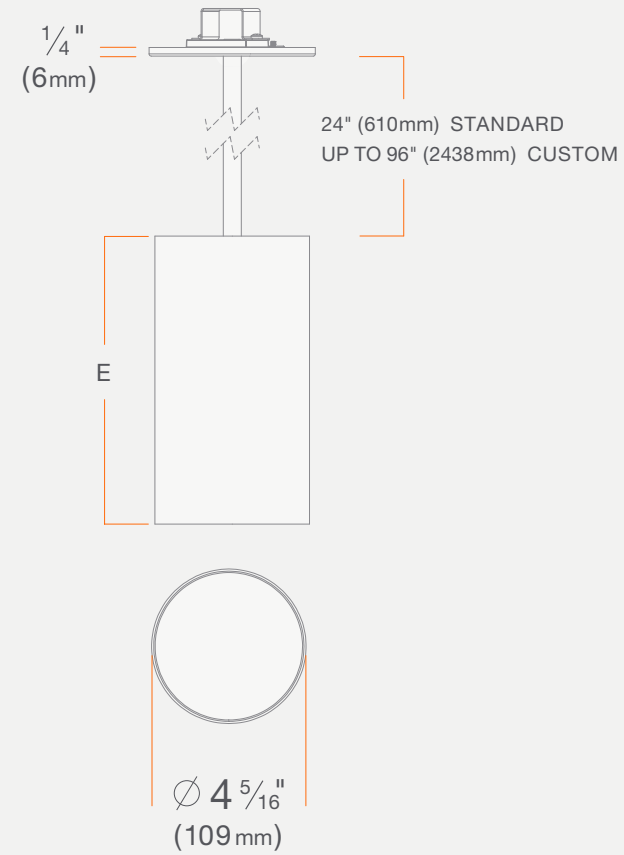
<b>Small</b>	6 3/16" (158 mm)
<b>Medium</b>	10 3/16" (259 mm)
<b>Large</b>	14 3/16" (361 mm)

## Stem Mount



### DCC2TM

Stem Mount  
LED Cylinder



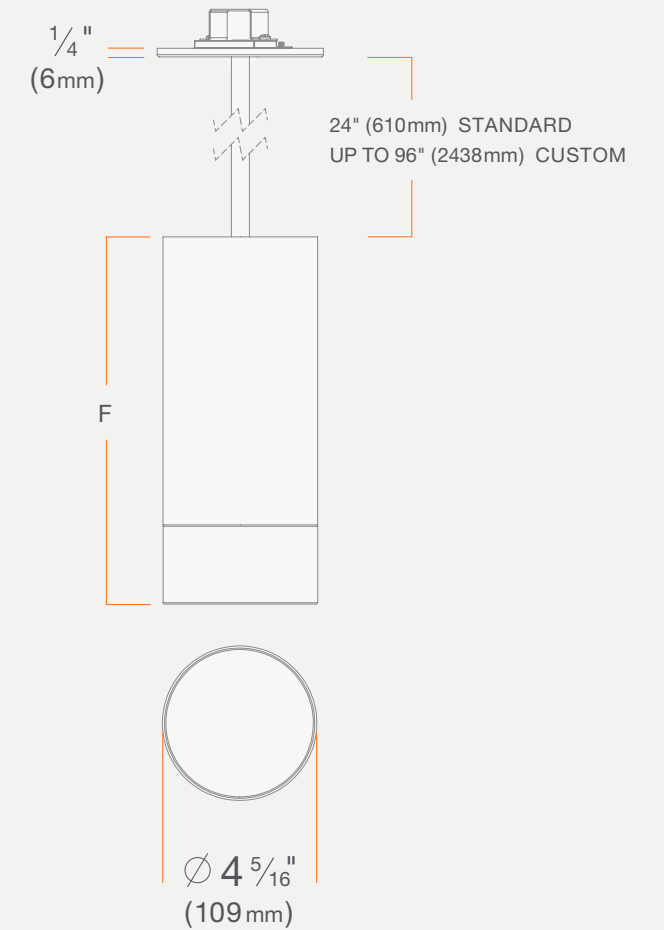
#### CYLINDER SIZE E

<b>Small</b>	4" (102 mm)
<b>Medium</b>	8" (203 mm)
<b>Large</b>	12" (305 mm)



### DCC2TM + DCC2X-DFT

Stem Mount LED Cylinder  
with Frosted Trim



#### CYLINDER SIZE F

<b>Small</b>	6 3/16" (158 mm)
<b>Medium</b>	10 3/16" (259 mm)
<b>Large</b>	14 3/16" (361 mm)

## Stem Mount, Wet Location



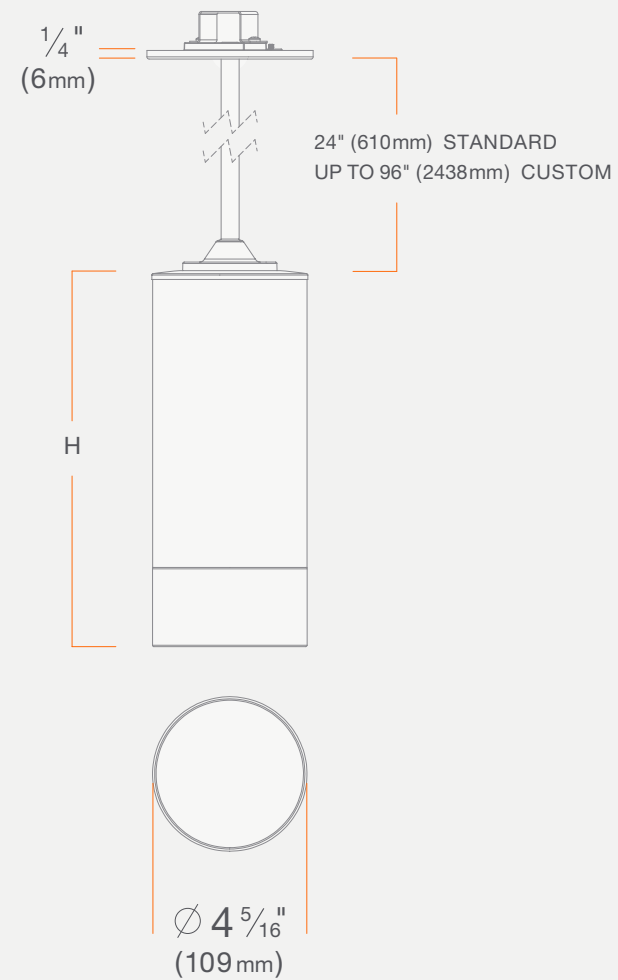
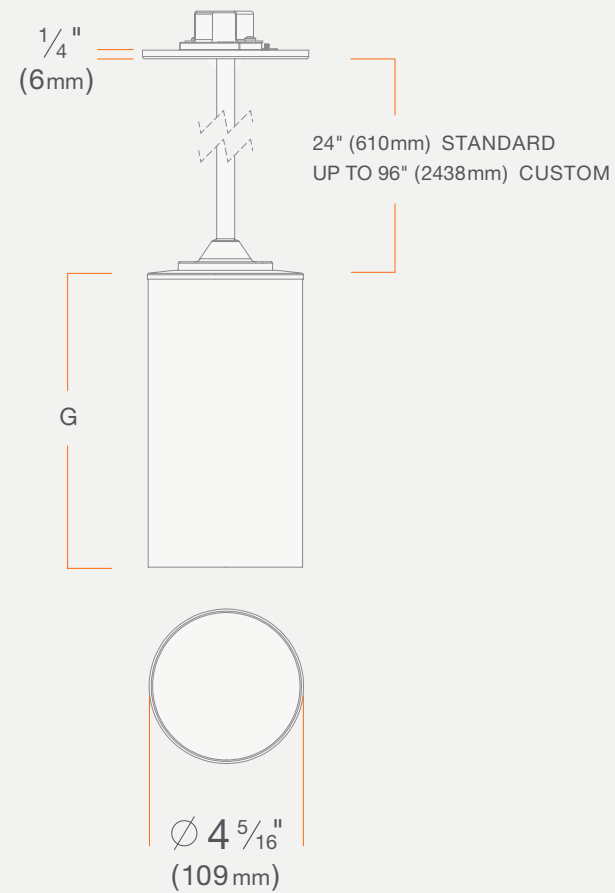
### DCC2TW

Stem Mount, Wet Location  
LED Cylinder



### DCC2TW + DCC2X-DFT

Stem Mount, Wet Location LED  
Cylinder with Frosted Trim



#### CYLINDER SIZE G

Small	4 1/4" (108 mm)
Medium	8 1/4" (210 mm)
Large	12 1/4" (311 mm)

#### CYLINDER SIZE H

Small	6 7/16" (164 mm)
Medium	10 7/16" (265 mm)
Large	14 7/16" (367 mm)

## Wall Mount



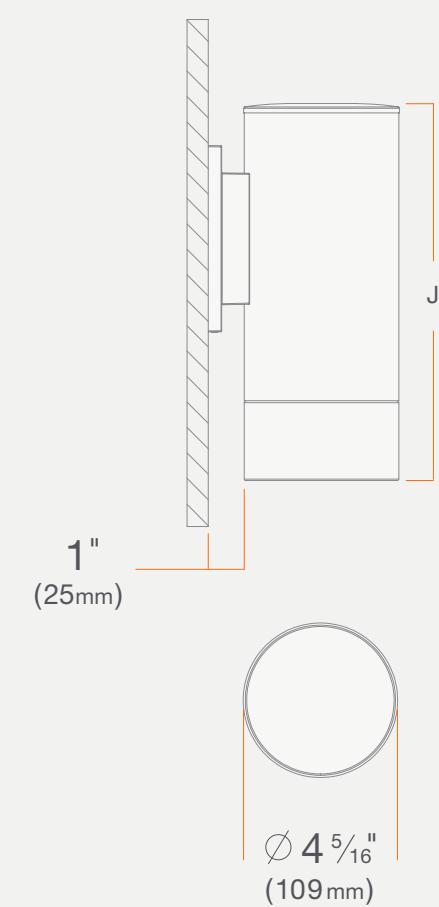
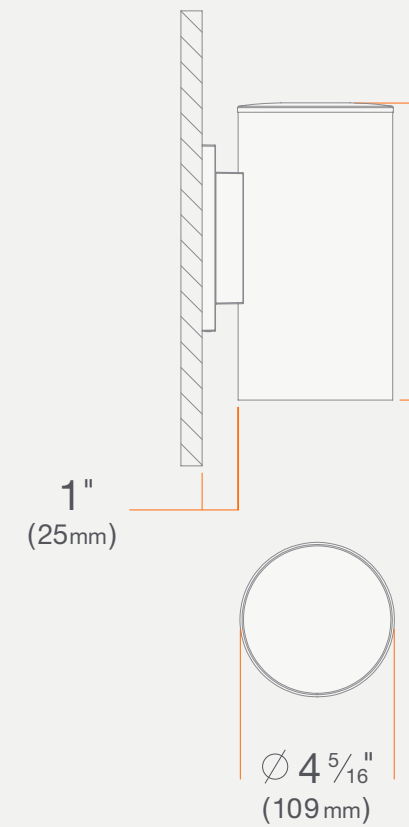
### DCC2WM

Wall Mount Downlight  
LED Cylinder



### DCC2WM + DCC2X-DFT

Wall Mount Downlight LED  
Cylinder with Frosted Trim



#### CYLINDER SIZE I

Medium	8 1/4" (210 mm)
Large	12 1/4" (311 mm)

#### CYLINDER SIZE J

Medium	10 7/16" (266 mm)
Large	14 7/16" (367 mm)



## Wall Mount, Wet Location



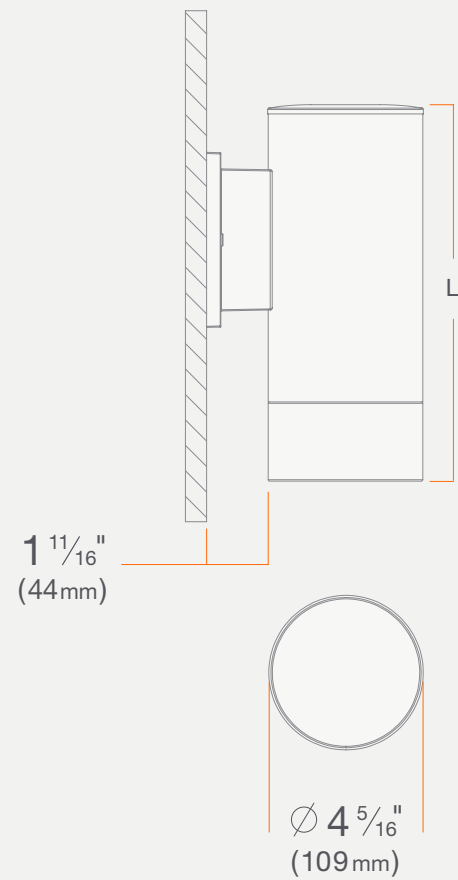
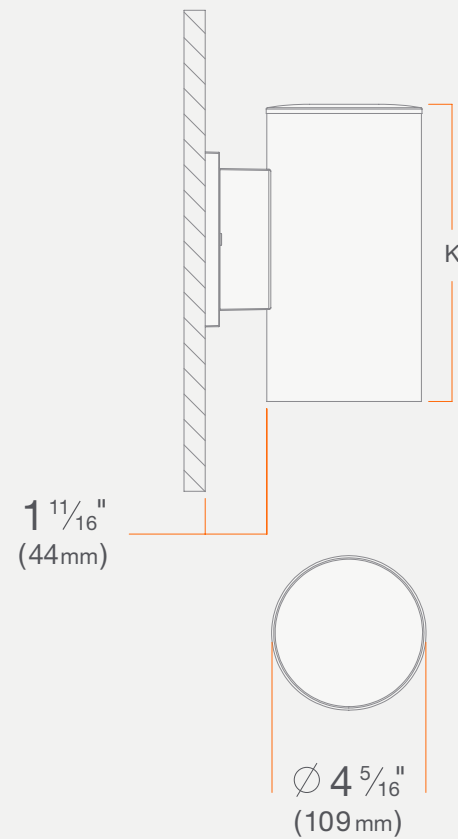
### DCC2WW

Wall Mount, Wet Location  
Downlight LED Cylinder



### DCC2WW + DCC2X-DFT

Wall Mount, Wet Location  
Downlight LED Cylinder  
with Frosted Trim



#### CYLINDER SIZE K

**Medium** 8 1/4" (210 mm)  
**Large** 12 1/4" (311 mm)

#### CYLINDER SIZE L

**Medium** 10 7/16" (266 mm)  
**Large** 14 7/16" (367 mm)

## Wall Mount Up and Downlight



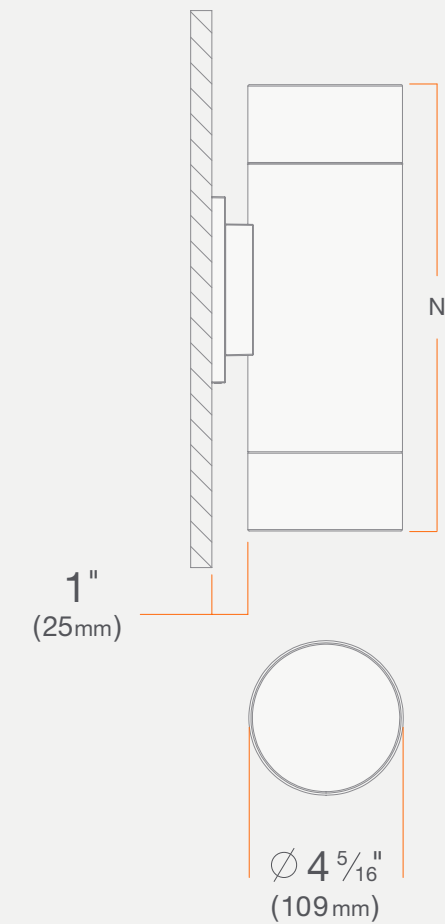
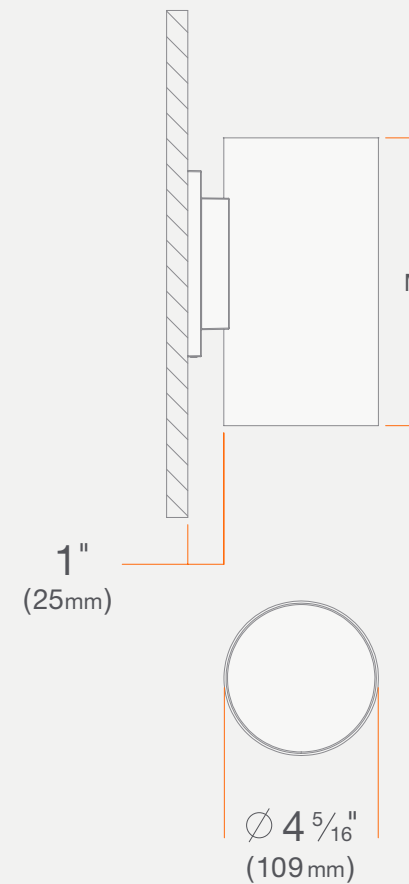
### DCC2WM

Wall Mount Up and  
Downlight LED Cylinder



### DCC2WM + DCC2X-DFT

Wall Mount Up and Downlight  
LED Cylinder with Frosted Trim



#### CYLINDER SIZE M

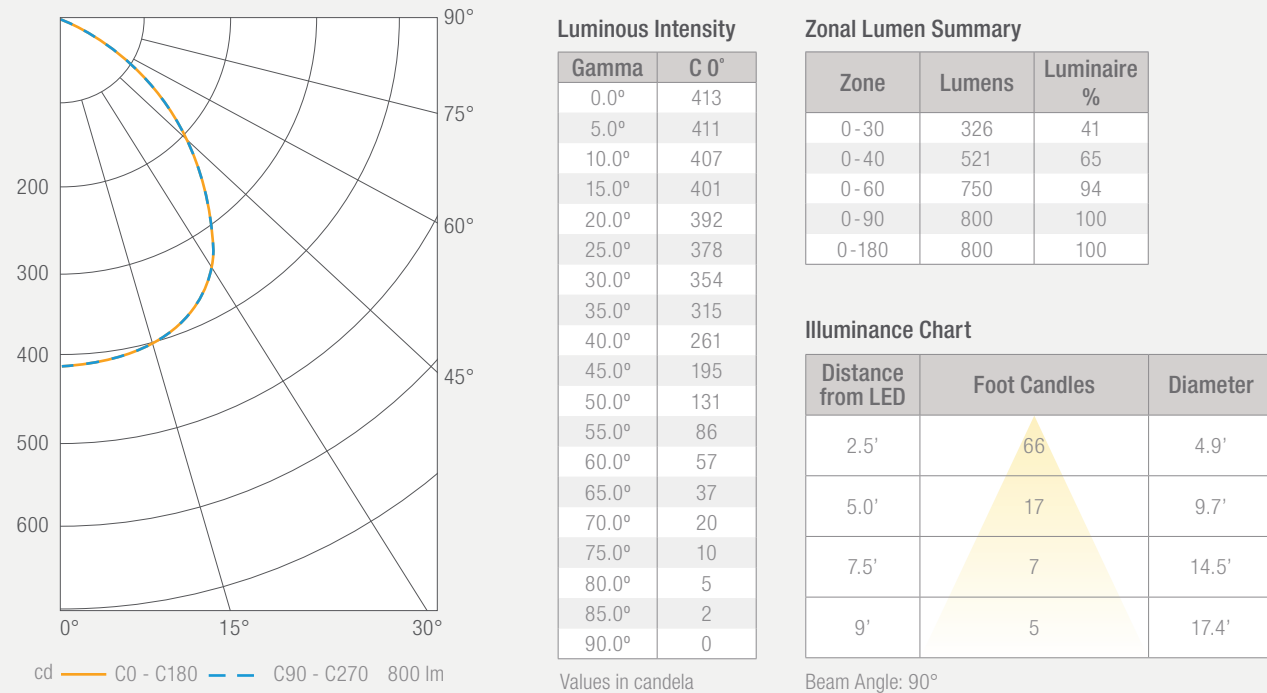
**Large** 12" (305 mm)

#### CYLINDER SIZE N

**Large** 16 3/8" (416 mm)

## Photometrics

**Luminaire: DCC2CMM0730WH** (Cord Mount, Medium, 750 lm, 3000K, White)



### Lumen Scaling

DCC2xxx0730 (750 lm)	DCC2xxx1030 (1000 lm)	DCC2xxx1530 (1500 lm)	DCC2xxx2030 (2000 lm)
1.00	1.33	2.00	2.67

### CCT Scaling

DCC2xxx0727 (2700K)	DCC2xxx0730 (3000K)	DCC2xxx0735 (3500K)	DCC2xxx0740 (4000K)
0.93	1.00	1.00	1.07

## Dimmer Compatibility

**Recommended Phase-control Dimmers** (Dims down to 5% nominal measured light output)

Brand	Series	Model Number	Max Load DCC2xxx07	Max Load DCC2xxx10
<b>Control 4</b>	Control 4	C4-APD120	10	9
<b>Cooper</b>	Decorator	DLC03P, DAL06P	25	20
<b>Legrand</b>	Adorne	ADPD703TU	35	30
<b>Lutron</b>	Caseta	PD-6WCL	12	10
	CL series	AYCL-153, CTCL-153, DVCL-153, LGCL-513, SCL-153, TGCL-513	12	10
	CL series	AYCL-253, DVCL-253	20	15
	Grafik Eye 3000	QSGR-3P	30	25
	Grafik Sys/Homeworks	LP-RPM-4U	30	25
	Grafik Sys/Homeworks	LP-RPM-4A	25	20
	Maestro CL	MACL-153M, MSCL-OP153M, MSCL-VP153M	12	10
	Maestro Wireless	MRF2-6ELV, MRF2-6CL	12	10

**Compatible Phase-control Dimmers** (Dims down to 20% nominal measured light output)<sup>1</sup>

Brand	Series	Model Number	Max Load DCC2xxx07	Max Load DCC2xxx10
<b>Cooper</b>	Slide	SLC03P, SAL06P	25	20
<b>Legrand</b>	Harmony	H703PTU, HCL453P	30	25
<b>Leviton</b>	IllumaTech Slide	IPE04	25	20
	SureSlide	6621, 6674	10	10
<b>Lutron</b>	Diva	DV-600	12	10
	Maestro	MA-600	12	9
	Maestro ELV	MAELV-600, MSCELV-600	35	30
	Maestro Wireless	MRF2-6ND	12	10
	Radio RA	RRD-6NA, RRD-6CL, RRD-6D	12	10
	Power Booster	PHPM-PA, PHPM-WBX	25	20
	Sunrise	SR400RPC120, ZP260QEW	20	15
<b>Watt Stopper</b>	Digital Light Management	DLM	160	150
	Dimming Sensor	PW-100D	14	12

<sup>1</sup>Dimmer compatibility reflects performance compatibility only. Please reference your local codes for application.

## Product Selection Guide

Product Code Example: **DCC2SWS0727WH**

### LUMINAIRE

PRODUCT CODE	MOUNT & CYLINDER	SIZE	LUMENS	CCT	FINISH	OPTION
<b>DCC2</b> LED Cylinder	<b>SW</b> Surface Mount, Wet	<b>S</b> Small	<b>07</b> 750 lm	<b>27</b> 2700K	<b>WH</b> White	<b>[Blank]</b> TRIAC/ELV Standard
		<b>M</b> Medium	<b>10</b> 1000 lm	<b>30</b> 3000K	<b>BK</b> Black	<b>0</b> 0-10V Dimming <i>Only applicable for medium or large size</i>
	<b>CM</b> Cord Mount	<b>L</b> Large	<b>15</b> 1500 lm <i>Only available in large size</i>	<b>35</b> 3500K	<b>BZ</b> Bronze	<b>C</b> Lutron LDE1 <sup>3</sup> <i>Only applicable for medium or large size</i>
	<b>TM</b> Stem Mount		<b>20</b> 2000 lm <i>Only available in large size</i>	<b>40</b> 4000K	<b>BA</b> Brushed Aluminum	<b>W</b> Lutron L3DA3W <sup>4</sup> <i>Only applicable for medium or large size</i>
	<b>TW</b> Stem Mount, Wet				<b>CC</b> Custom Color	<b>TE</b> TRIAC Dimming, Emergency Battery
	<b>WM</b> Wall Mount <sup>1</sup> <i>Only available in medium or large size</i>					<b>OE</b> 0-10V Dimming, Emergency Battery <i>Only applicable for medium or large size</i>
	<b>WW</b> Wall Mount, Wet <sup>2</sup> <i>Only available in medium or large size</i>					<b>CE</b> Lutron LDE1 <sup>3</sup> , Emergency Battery <i>Only applicable for medium or large size</i>
						<b>WE</b> Lutron L3DA3W <sup>4</sup> , Emergency Battery <i>Only applicable for medium or large size</i>

### ACCESSORIES

<b>DCC2X-CCM</b>	Custom Length Cord Mount (up to 48") <sup>5</sup>
<b>DCC2X-CTM</b>	Custom Length Stem Mount (up to 96") <sup>5</sup>
<b>DCC2X-DFT</b>	Decorative Frosted Trim

<sup>1</sup> Compatible with most one-gang switch boxes

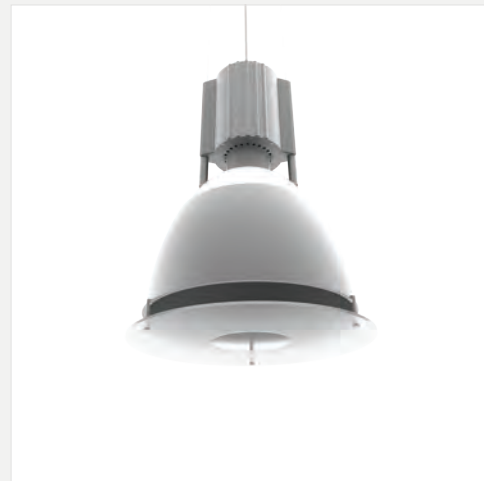
<sup>2</sup> Compatible with most two-gang switch, 3" octagonal, 4" octagonal, 3" round, 4" round and 4" square boxes

<sup>3</sup> Lutron LDE1 Dimming refers to Lutron Hi-lume 1% EcoSystem LED driver with Soft-on, Fade-to-Black

<sup>4</sup> Lutron L3DAE Dimming refers to Lutron Hi-lume 1% 3-wire LED driver

<sup>5</sup> Use Custom Order Form to specify custom length; Minimum (10) piece order

### Extended Product Family



#### Bormio DP610LED Pendant

The Bormio DP610LED is a premium constructed LED downlight pendant, designed for commercial applications with higher ceilings. The pendant features a contemporary design with a premium extruded aluminum body and frosted glass dome that provides additional subtle uplighting.

Learn more at:

[www.dmflighting.com/dp610led](http://www.dmflighting.com/dp610led)



Engineered and tested,  
all in-house

# Thirty years of experience leading the lighting industry



## A company built around your needs

DMF is proudly dedicated to making lighting simpler. We strive to bring that ethos to every aspect of our company, from the way we design highly flexible, adaptable products to our conveniently located California warehouse.



## Towards a brighter tomorrow

Our in-house lab puts us at the forefront

Here at DMF, we're always on the cutting edge – the exact same place we've been for the past 30 years. Our in-house engineers work tirelessly to find brilliant solutions to today's challenges, and tomorrow's. This unique capability gives us an edge in integrating new technology, future-proofing our products, responding to market demands and understanding your needs.

Learn more at:

[www.dmflighting.com](http://www.dmflighting.com)



**dmf** Lighting®

1118 East 223rd Street,  
Carson, California 90745

T: 800.441.4422

E: [info@dmflighting.com](mailto:info@dmflighting.com)

[www.dmflighting.com](http://www.dmflighting.com)

© 2017 DMF Lighting. All Rights Reserved. Specifications subject to change without notice.

MDCC2BRO V-01.01.17