

### PRODUCT SPECIFICATIONS



4" application shown

- 360° directional aim with up to 40° adjustable tilt
- Maximum installation compatibility
- Twist & Lock feature for easy trim installation
- 750 & 1000 lumen outputs
- 2700K, 3000K, 3500K, 4000K CCT
- Flicker-free TRIAC/ELV, 0-10V or Lutron Hi-lume 1% dimming
- Spot or Flood optic options



Dimmable



50k  
lifetime



5  
yr



UL listed for  
damp location



Twist & lock

### Frame-in Kit

**HOUSING:** Die-formed steel with powder coat finish (4" frame-in kit), 20 ga. die-formed aluminum (5" frame-in kit), 22 ga. die-formed aluminum (6" frame-in kit, 6" shallow frame-in kit).

**JUNCTION BOX:** Galvanized steel. Equipped with (6) 1/2" and (1) 3/4" knockouts with pryout slots to allow straight conduit runs (4" frame-in kit), equipped with (5) 1/2" and (2) 3/4" knockouts with pryout slots to allow straight conduit runs (5" frame-in kit, 6" frame-in kit, 6" shallow frame-in kit). (4) knockouts for non-metallic sheathed cable installation. Junction box tension spring allows snap-in installation of plate cover for easy access to wiring. Approved for 8 (four-in, four-out) #12 AWG 90 through wire conductors.

**MOUNTING:** (4) tempered steel spring clips secure housing to ceiling.

**CEILING:** 1/2" up to 1".

**CUTOUT:** 4 3/16" (4" frame-in kit), 5 5/8" (5" frame-in kit), 6 3/8" (6" frame-in kit, 6" shallow frame-in kit).

### Light Engine

**LED:** Tightly binned, high performing white Cree® LED.

**LUMEN OUTPUT (POWER):** 750 lm (12.0W), 1000 lm (14.7W).

**COLOR QUALITY:** 90+ CRI, 2-step SDCM.

**CCT OPTIONS:** 2700K, 3000K, 3500K, 4000K.

**OPTICS:** Spot (23°), Flood (42°).

**ADJUSTMENT:** 360° directional aim. Up to 40° tilt.

**CONNECTOR:** PowerPlug® Luminaire Disconnect Model 182 (TRIAC/ELV), Model 102 (0-10V, Lutron Hi-lume® 1%).

**INPUT VOLTAGE:** 120/277V.

**DIMMING:** Down to less than 5% for TRIAC/ELV at 120V or 0-10V at 120/277V. Down to less than 1% for Lutron Hi-lume® 1% at 120/277V.

**LIFETIME:** 50,000 hours at 70% lumen maintenance.

**PHOTOMETRIC TESTING:** Tested in accordance to IESNA LM-79-2008.

**LISTINGS:** IC rated. cULus Listed. ENERGY STAR® qualified. California Title 24 JA8 compliant. ASTM E283 certified Air Tight. UL Listed for Damp Location. CEC listed.

**WARRANTY:** 5 year limited warranty.

### Trim

**CONSTRUCTION:** Die-cast aluminum. Twist & Lock mounting allows easy tool-free field installation and tight ceiling fit.

Product Code:		Type:	
Project:		Contact:	Date:



### PRODUCT SELECTION GUIDE

#### FRAME-IN KIT (Product Code Example: **DRDHRIC4**)

PRODUCT CODE	APPLICATION	IC/NON-IC	APERTURE	DRIVER
<b>DRDH</b> Housing	<b>R</b> Remodel	<b>IC</b> Insulation Contact	<b>4</b> 4" Aperture	<b>[Blank]</b> Integrated TRIAC/ELV
			<b>5</b> 5" Aperture	<b>7O</b> 0-10V, 750 lm
			<b>6</b> 6" Aperture	<b>10O</b> 0-10V, 1000 lm
			<b>6S</b> 6" Shallow	<b>7C</b> Lutron LDE1 <sup>1</sup> , 750 lm
				<b>10C</b> Lutron LDE1 <sup>1</sup> , 1000 lm
				<b>7W</b> Lutron L3DA3W <sup>2</sup> , 750 lm
				<b>10W</b> Lutron L3DA3W <sup>2</sup> , 1000 lm

#### LIGHT ENGINE (Product Code Example: **DRD3M07927SPWH**)

PRODUCT CODE	LUMENS (WATTS)	CRI	CCT	OPTIC	FINISH	DRIVER
<b>DRD3M</b> Module	<b>07</b> 750 lm (12.0W)	<b>9</b> 90+ CRI	<b>27</b> 2700K	<b>SP</b> Spot	<b>WH</b> White	<b>[Blank]</b> Integrated TRIAC/ELV
	<b>10</b> 1000 lm (14.7W)		<b>30</b> 3000K	<b>FL</b> Flood	<b>BK</b> Black	<b>A</b> Alternate Dimming
			<b>35</b> 3500K		<b>CC</b> Custom Color	<i>Must be selected if 0-10V, Lutron Hi-Lume 1% or EM driver is selected for frame-in kit driver</i>
			<b>40</b> 4000K			

#### TRIM (Product Code Example: **DRD2TR4SWH**)

PRODUCT CODE	SHAPE	APERTURE	STYLE	FINISH
<b>DRD2T</b> Trim	<b>R</b> Round	<b>4</b> 4" Aperture	<b>S</b> Smooth	<b>WH</b> White
		<b>5</b> 5" Aperture	<b>B</b> Baffle	<b>BK</b> Black
		<b>6</b> 6" Aperture		<b>SW</b> Silver Reflector, White Flange
				<b>CC</b> Custom Color

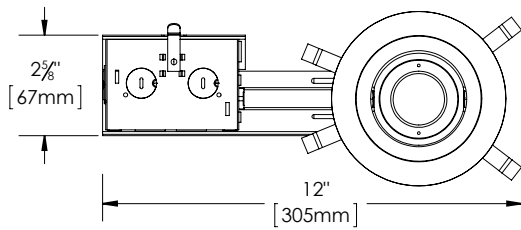
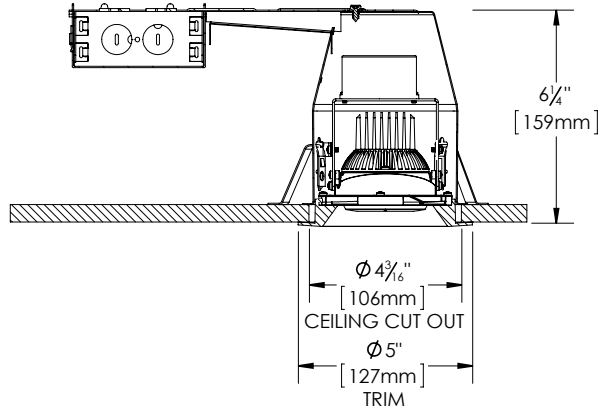
<sup>1</sup> Lutron LDE1 Dimming refers to Lutron Hi-lume 1% EcoSystem LED driver with Soft-on, Fade-to-Black™

<sup>2</sup> Lutron L3DAE Dimming refers to Lutron Hi-lume 1% 3-wire LED driver

## FRAME-IN KIT DIMENSIONS

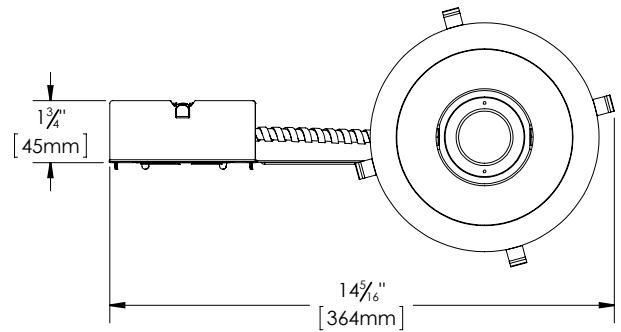
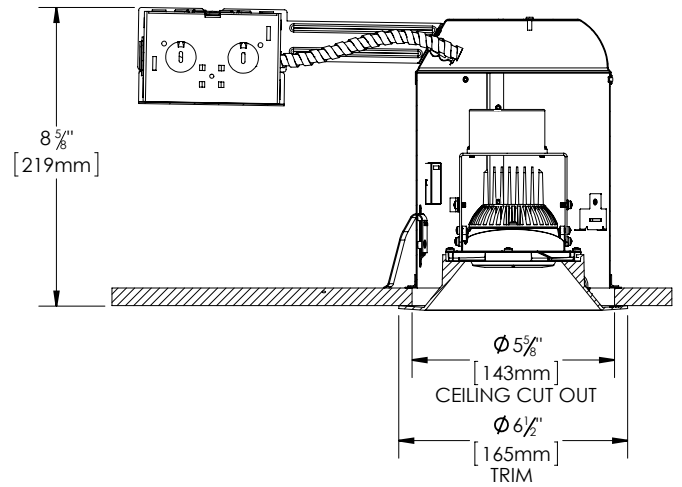
### DRDHRIC4

#### 4" Remodel IC Frame-in Kit



### DRDHRIC5

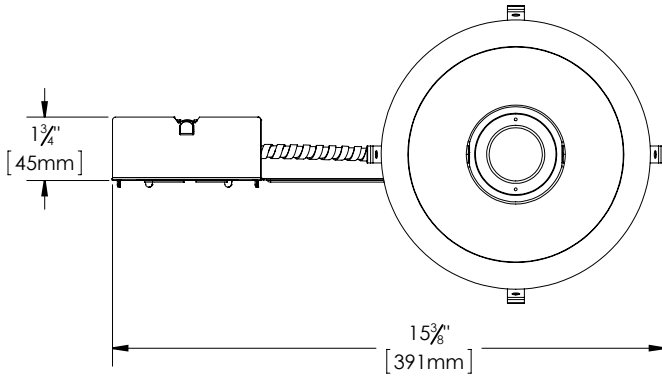
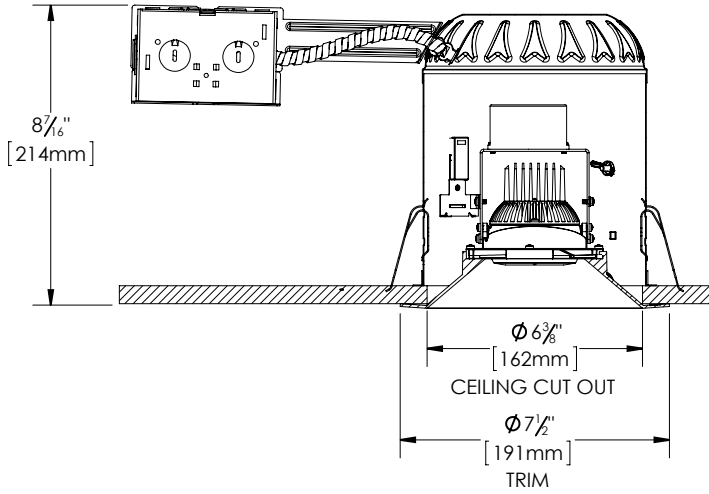
#### 5" Remodel IC Frame-in Kit



### FRAME-IN KIT DIMENSIONS

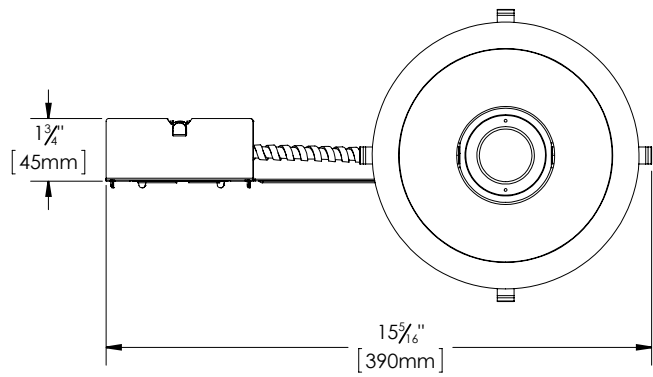
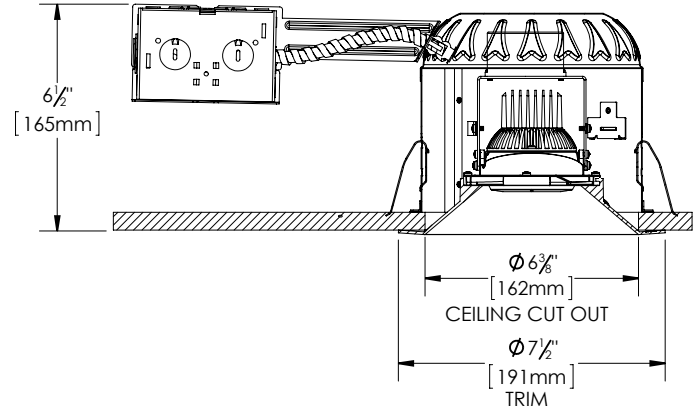
#### DRDH RIC6

#### 6" Remodel IC Frame-in Kit



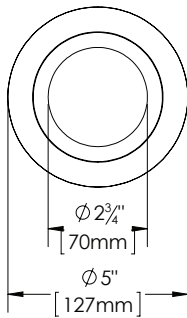
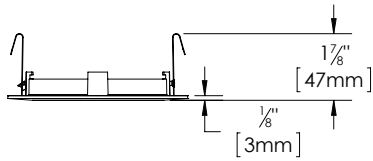
#### DRDH RIC6S

#### 6" Shallow Remodel IC Frame-in Kit

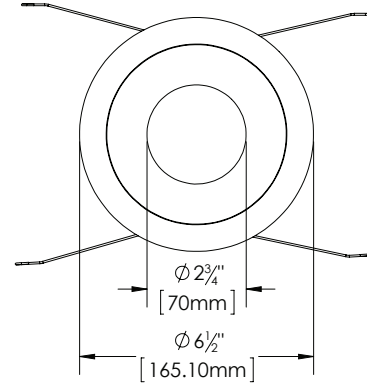
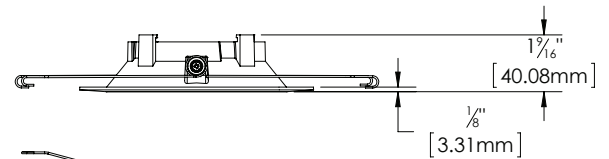


## TRIM DIMENSIONS

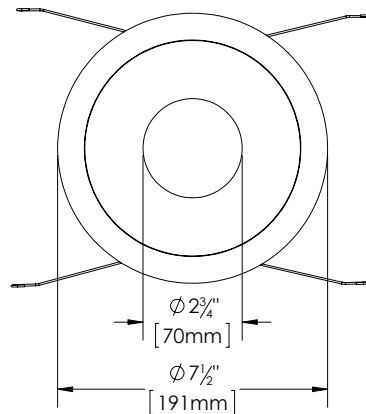
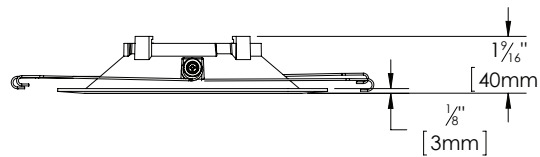
**DRD2TR4**  
4" Round Trim



**DRD2TR5**  
5" Round Trim

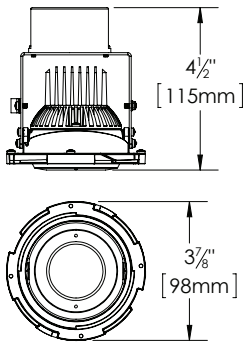


**DRD2TR6**  
6" Round Trim



### LIGHT ENGINE OVERVIEW

**DRD3M**  
Adjustable LED Module



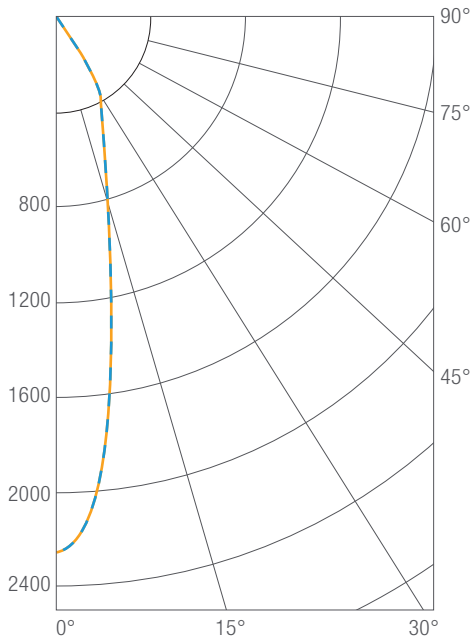
	DRD3M07	DRD3M10
Total Module Lumen Output (lm)	750	1000
Total Rated Power (W)	12.0	14.7
Efficacy (lm/W)	63	68
Color Rendering Index	90+	
CCT Options	2700K, 3000K, 3500K, 4000K	
Optics	Spot, Flood	
Binning	2-step SDCM	
Lifetime (L70)	50,000 hours	
Max Ambient Operating Temperature	40°C	
Input Voltage (V)	120/277V, 50/60Hz	
Input Current at 120V (Max)	0.10A	0.12A
Input Current at 277V (Max)	0.047A	0.055A
Power Factor	>0.9	
Total Harmonic Distortion	<20%	
Dimming	100% - 5%	

### PHOTOMETRICS

Light Engine: **DRD3M07930SPWH** (DRD3 Module, 750 lm, 90 CRI, 3000K, Spot, White)

Trim: **DRD2TR6SWH** (DRD2 Trim, 6", Round, Smooth, White)

Center Beam Candle Power: 2255



cd — C0 - C180 — C90 - C270 774 lm

#### Luminous Intensity

Gamma	C 0°
0.0°	2255
5.0°	2036
10.0°	1377
15.0°	816
20.0°	569
25.0°	466
30.0°	363
35.0°	173
40.0°	42
45.0°	17
50.0°	15
55.0°	11
60.0°	4
65.0°	3
70.0°	1
75.0°	0
80.0°	0
85.0°	0
90.0°	0

Values in candela

#### Zonal Lumen Summary

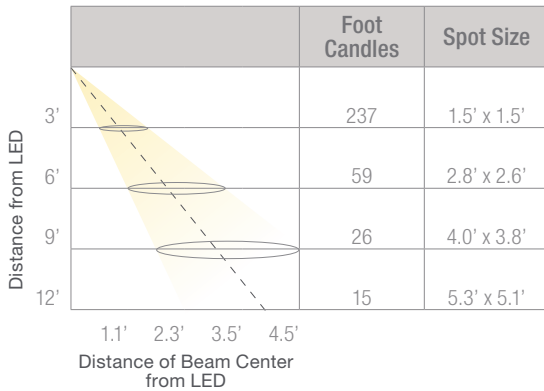
Zone	Lumens	Luminaire %
0-30	627	81
0-40	743	96
0-60	771	100
0-90	774	100
0-180	774	100

#### Illuminance Chart

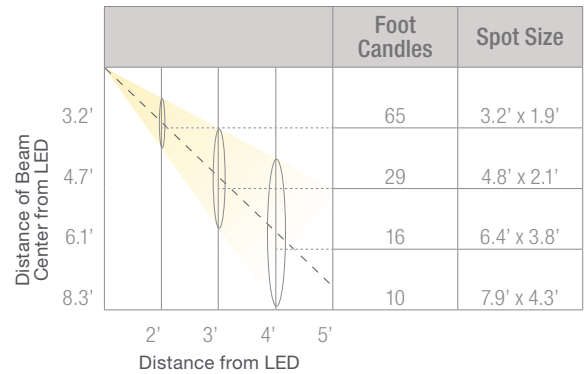
Distance from LED	Foot Candles	Diameter
3.0'	277	1.3'
6.0'	68	2.5'
9.0'	31	3.8'
12.0'	17	5.0'

Beam Angle: 23°

#### Angled Luminaire Horizontal Illuminance Chart



#### Angled Luminaire Vertical Illuminance Chart

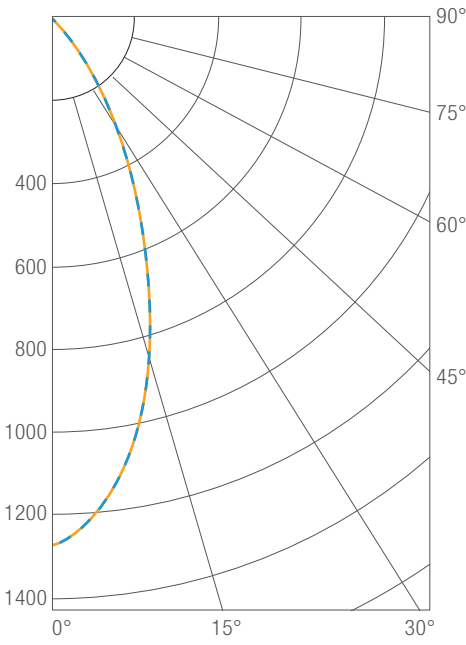


### PHOTOMETRICS

Light Engine: **DRD3M07930FLWH** (DRD3 Module, 750 lm, 90 CRI, 3000K, Flood, White)

Trim: **DRD2TR6SWH** (DRD2 Trim, 6", Round, Smooth, White)

Center Beam Candle Power: 1273



cd — C0 - C180 — C90 - C270 756 lm

#### Luminous Intensity

Gamma	C 0°
0.0°	1273
5.0°	1202
10.0°	1040
15.0°	855
20.0°	669
25.0°	483
30.0°	308
35.0°	168
40.0°	87
45.0°	50
50.0°	33
55.0°	22
60.0°	13
65.0°	7
70.0°	2
75.0°	0
80.0°	0
85.0°	0
90.0°	0

Values in candela

#### Zonal Lumen Summary

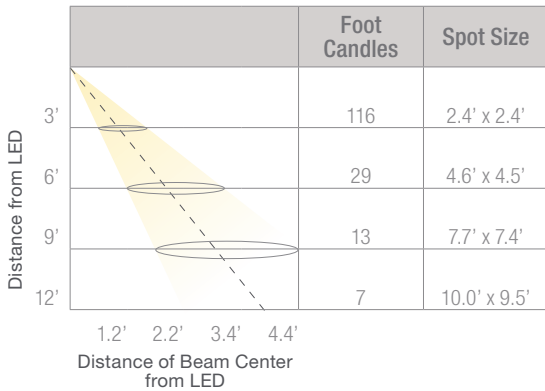
Zone	Lumens	Luminaire %
0-30	570	75
0-40	685	91
0-60	748	99
0-90	756	100
0-180	756	100

#### Illuminance Chart

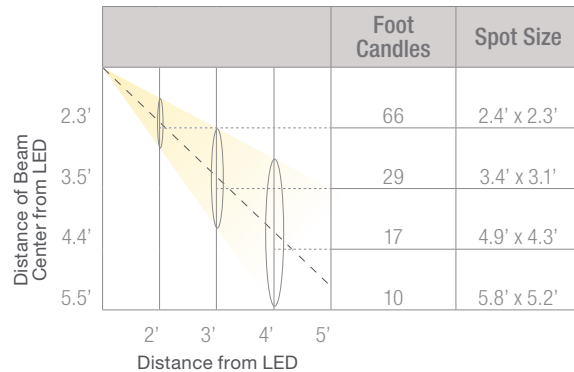
Distance from LED	Foot Candles	Diameter
3.0'	132	2.3'
6.0'	33	4.6'
9.0'	15	6.8'
12.0'	8	9.1'

Beam Angle: 42°

#### Angled Luminaire Horizontal Illuminance Chart



#### Angled Luminaire Vertical Illuminance Chart



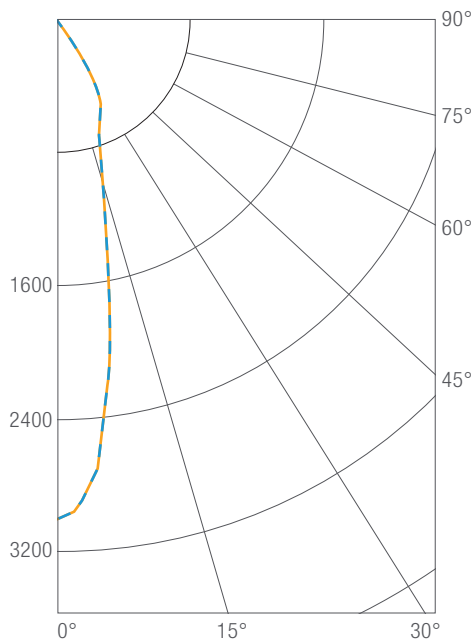


### PHOTOMETRICS

Light Engine: **DRD3M10930SPWH** (DRD3 Module, 1000 lm, 90 CRI, 3000K, Spot, White)

Trim: **DRD2TR6SWH** (DRD2 Trim, 6", Round, Smooth, White)

Center Beam Candle Power: 3007



cd — C0 - C180 — C90 - C270 1031 lm

#### Luminous Intensity

Gamma	C 0°
0.0°	3007
5.0°	2714
10.0°	1836
15.0°	1087
20.0°	758
25.0°	621
30.0°	484
35.0°	231
40.0°	56
45.0°	23
50.0°	21
55.0°	15
60.0°	6
65.0°	4
70.0°	1
75.0°	0
80.0°	0
85.0°	0
90.0°	0

Values in candela

#### Zonal Lumen Summary

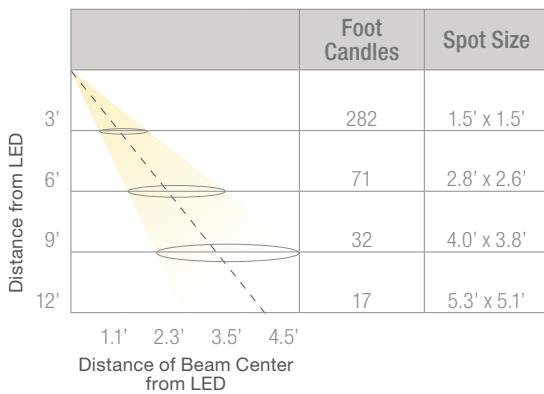
Zone	Lumens	Luminaire %
0-30	836	81
0-40	991	96
0-60	1028	100
0-90	1031	100
0-180	1031	100

#### Illuminance Chart

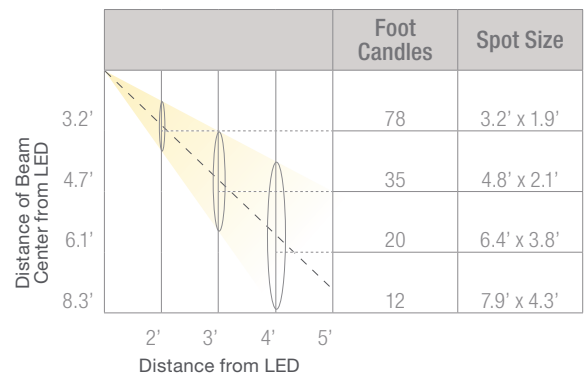
Distance from LED	Foot Candles	Diameter
3.0'	332	1.3'
6.0'	83	2.5'
9.0'	37	3.8'
12.0'	21	5.0'

Beam Angle: 23°

#### Angled Luminaire Horizontal Illuminance Chart



#### Angled Luminaire Vertical Illuminance Chart

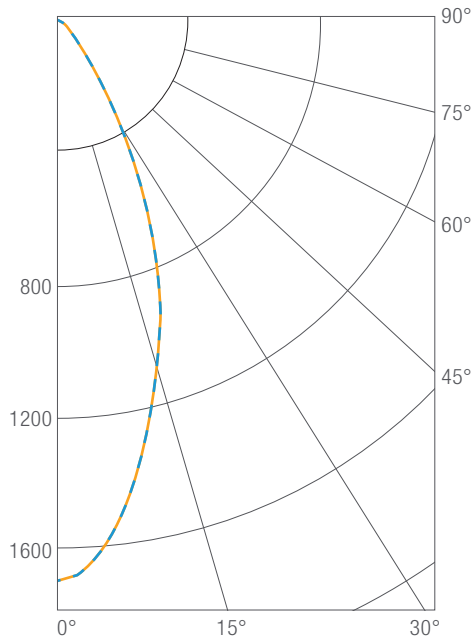


### PHOTOMETRICS

Light Engine: **DRD3M10930FLWH** (DRD3 Module, 1000 lm, 90 CRI, 3000K, Flood, White)

Trim: **DRD2TR6SWH** (DRD2 Trim, 6", Round, Smooth, White)

Center Beam Candle Power: 1697



cd — C0 - C180 — C90 - C270 1009 lm

#### Luminous Intensity

Gamma	C 0°
0.0°	1697
5.0°	1603
10.0°	1386
15.0°	1140
20.0°	891
25.0°	644
30.0°	411
35.0°	224
40.0°	116
45.0°	66
50.0°	43
55.0°	30
60.0°	18
65.0°	9
70.0°	3
75.0°	0
80.0°	0
85.0°	0
90.0°	0

Values in candela

#### Zonal Lumen Summary

Zone	Lumens	Luminaire %
0-30	761	75
0-40	914	91
0-60	998	99
0-90	1009	100
0-180	1009	100

#### Illuminance Chart

Distance from LED	Foot Candles	Diameter
3.0'	188	2.3'
6.0'	47	4.6'
9.0'	21	6.8'
12.0'	12	9.1'

Beam Angle: 42°

#### Angled Luminaire Horizontal Illuminance Chart

Distance from LED	Foot Candles	Spot Size
3'	139	2.4' x 2.4'
6'	35	4.6' x 4.5'
9'	16	7.7' x 7.4'
12'	7	10.0' x 9.5'

Distance of Beam Center from LED: 1.2', 2.2', 3.4', 4.4'

#### Angled Luminaire Vertical Illuminance Chart

Distance of Beam Center from LED	Foot Candles	Spot Size
2.3'	79	2.4' x 2.3'
3.5'	35	3.4' x 3.1'
4.4'	20	4.9' x 4.3'
5.5'	13	5.8' x 5.2'

Distance from LED: 2', 3', 4', 5'



## DIMMER COMPATIBILITY

Light Engine: **DRD3M07** (DRD3 Module, 750 lm)

Recommended Phase-control Dimmers (Dims down to 5% nominal measured light output)

Brand	Series	Model Number	Max Load
Cooper	Decorator	DLC03P, DAL06P	23
Lutron	Diva CL	DVCL-253P	19
	Grafik Sys/Homeworks	LP-RPM-4U	30
	Maestro CL	MACL-153M	12
	Maestro ELV	MAELV-600	12
	Maestro Wireless	MRF2-6ND	11
	Radio RA	RRD-6NA	12
	Skylark Contour CL	CTCL-153P	11

Compatible Phase-control Dimmers<sup>1</sup> (Dims down to 20% nominal measured light output)

Brand	Series	Model Number	Max Load
Leviton	IllumaTech	IPE04	25
	Sure Slide	6615	24
	Sure Slide	6672	12
	Vizia	VPE04	32
	Vizia	VPE06	12
	Lutron	Maestro	MA-600
Maestro CL		MSCL-OP153M	12
Skylark		S-1000	19
Skylark ELV		SELV-300	25
Legrand	Adorne	ADPD703TU	37
	Harmony	H703PTU	35
	Harmony	HCL453P	34
Lightolier	Sunrise	ZP260QEW	20
Phillips	Sunrise	SR400RPC120	26

<sup>1</sup> Dimmer compatibility reflects performance compatibility only. Please reference your local codes for application.



## DIMMER COMPATIBILITY

Light Engine: **DRD3M10** (DRD3 Module, 1000 lm)

Recommended Phase-control Dimmers (Dims down to 5% nominal measured light output)

Brand	Series	Model Number	Max Load
Cooper	Decorator	DAL06P	18
	Savant	OS106D1	9
Lutron	Diva	DV-600	9
	Grafik Sys/Homeworks	LP-RPM-4U	24
	Maestro	MA-600	9
	Maestro CL	MACL-153M	10
	Maestro Wireless	MRF2-6ND	10
	Radio RA	RRD-6NA	10
	Skylark Contour CL	CTCL-153P	11

Compatible Phase-control Dimmers<sup>1</sup> (Dims down to 20% nominal measured light output)

Brand	Series	Model Number	Max Load
Leviton	IllumaTech	IPE04	19
	Sure Slide	6615	18
	Sure Slide	6672	9
	Vizia	VPE04	25
	Vizia	VPE06	9
Lutron	Maestro ELV	MAELV-600	10
	Maestro CL	MSCL-OP153M	10
	Skylark	S-1000	16
	Skylark Contour	CT-103P	16
	Skylark ELV	SELV-300	20
Legrand	Adorne	ADPD703TU	30
	Harmony	H703PTU	27
	Harmony	HCL453P	28
Lightolier	Sunrise	ZP260QEW	16
Phillips	Sunrise	SR400RPC120	20

<sup>1</sup> Dimmer compatibility reflects performance compatibility only. Please reference your local codes for application.