

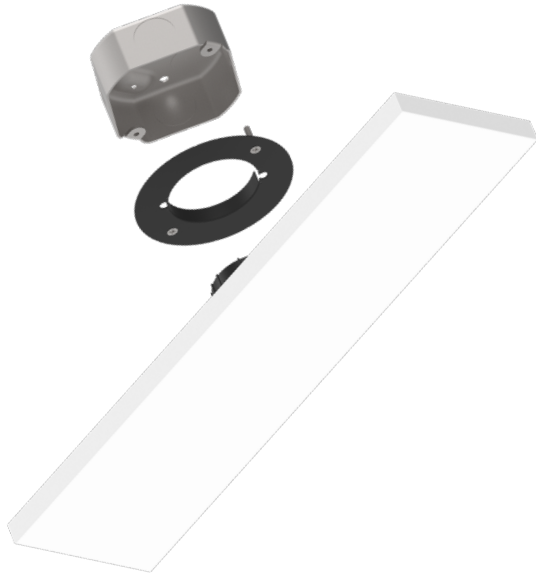
DRD5S

18" Linear Surface Mount LED Area Light






Retrofit
Junction Box

| | |
|---------------|-------|
| Project: | Type: |
| Product Code: | Date: |

V101522



- 18" rectangular area light perfect for narrow applications such as corridors or kitchen islands
- Extends just 0.6 inches below the ceiling plane to minimize visual profile
- Utilizing a compact, integrated driver allows DRD5S to install into most metallic octagonal and non-metallic round junction boxes

| | | |
|---|---|--|
| Application Retrofit | Junction Box 4O Octagonal, 4O Round, 3O Round | |
| Delivered Lumens 1500 lm (17W) | Color Quality 90+ CRI, < 3-step SDCM | |
| Color Temperature  2700K 3000K 3500K | Input Voltage 120/277V | |
| Shape 18" x 4" Rectangle | Dimming TRIAC/ELV, 0-10V | |
| Standards    | Module Ratings  UL Listed for Wet Location | Guarantee 50,000 hrs 5 years |

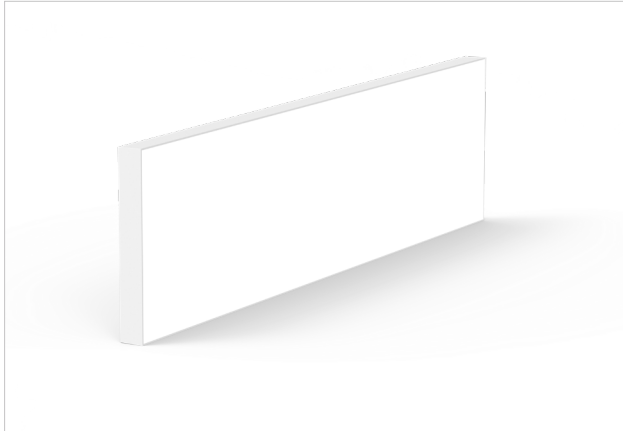


PRODUCT BUILDER

LED MODULE

| PRODUCT CODE | | DIMENSION | | SHAPE | | LUMENS | | CRI | | CCT | | DRIVER | |
|--------------|--------|-----------|----------|----------|--------|-----------|---------|----------|---------|-----------|-------|----------------|-----------|
| DRD5S | Module | 4 | 4" Width | L | Linear | 15 | 1500 lm | 9 | 90+ CRI | 27 | 2700K | [Blank] | TRIAC/ELV |
| | | | | | | | | | | 30 | 3000K | O | 0-10V |
| | | | | | | | | | | 35 | 3500K | | |

MODULE



DRD5S

18" Linear Surface Mount LED Module

DRD5S

SUMMARY

LED: Samsung optimized LED array

SHAPE: 18" x 4" rectangle

MODULE LUMENS: 1500 lm (17W)

COLOR QUALITY: 90+ CRI, less than 3-step SDCM

CCT: 2700K, 3000K, 3500K

INPUT VOLTAGE: 120/277V

DIMMING: TRIAC/ELV at 120V, 0-10V at 120/277V

MAX INPUT CURRENT (120V): 0.15 amps

MAX INPUT CURRENT (277V): 0.06 amps

POWER FACTOR: Greater than 0.9

TOTAL HARMONIC DISTORTION: Less than 20%

AMBIENT OPERATING TEMPERATURE: -20°C to 40°C

PHOTOMETRIC TESTING: Tested in accordance to IESNA LM-79-2008

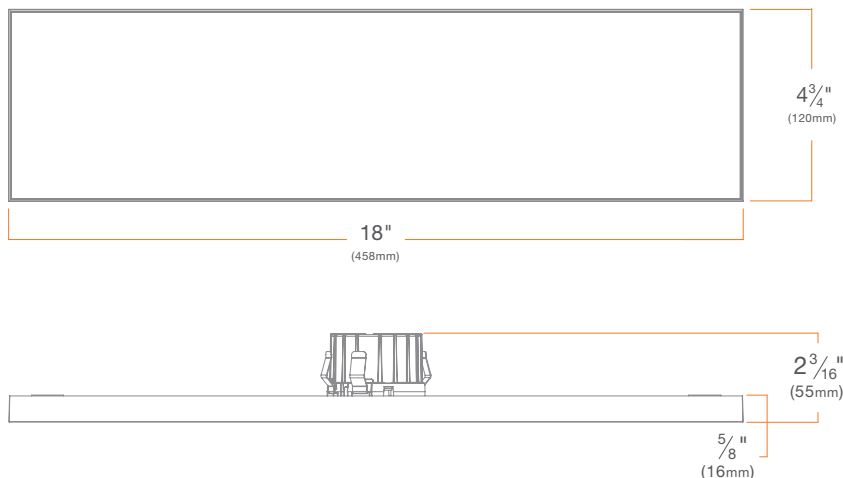
TRIM: Edgeless die-cast aluminum

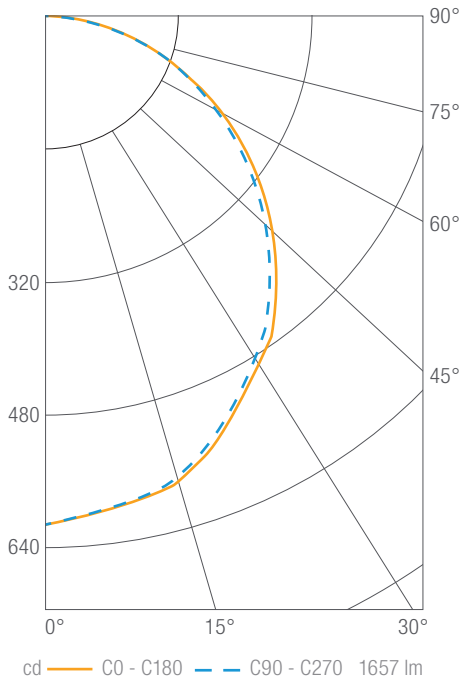
LISTINGS: ENERGY STAR® qualified*, California Title 24 2016 JA8 compliant, UL Listed for Wet Location, UL Certified US-CA

LIFETIME: 50,000 hours at 70% lumen maintenance

WARRANTY: 5 year limited warranty

* Refer to ENERGY STAR Certified light fixtures database



PHOTOMETRY
DRD5S 18" Linear, 1500 lm, 90 CRI, 3000K DRD5S4L15930

Luminous Intensity

| Gamma | C 0° |
|-------|------|
| 0° | 567 |
| 5° | 564 |
| 10° | 556 |
| 15° | 542 |
| 20° | 523 |
| 25° | 499 |
| 30° | 469 |
| 35° | 433 |
| 40° | 400 |
| 45° | 360 |
| 50° | 318 |
| 55° | 279 |
| 60° | 232 |
| 65° | 189 |
| 70° | 145 |
| 75° | 100 |
| 80° | 57 |
| 85° | 25 |
| 90° | 2 |

Values in candela
Zonal Lumen Summary

| Zone | Lumens | Luminaire % |
|-------|--------|-------------|
| 0-30 | 465 | 28 |
| 0-40 | 755 | 46 |
| 0-60 | 1316 | 79 |
| 0-90 | 1657 | 100 |
| 0-180 | 1657 | 100 |

Illuminance Chart

| Distance from LED | Foot Candles | Dimension |
|-------------------|--------------|---------------|
| 3.0' | 68 | 8.2' x 8.4' |
| 6.0' | 17 | 16.3' x 16.7' |
| 9.0' | 8 | 24.5' x 25.1' |
| 12.0' | 4 | 32.7' x 33.4' |

Beam Angle: 110°

DIMMER COMPATIBILITY
Recommended Phase-control Dimmers (Dims down to 5% nominal measured light output)

| Brand | Series | Model Number | Max Load |
|---------|------------------------|-------------------------------------|----------|
| Cooper | Aspire | 9573 | 17 |
| Leviton | Vizia | VPE06 | 35 |
| Lutron | CL Series | AYCL-253, DVCL-253 | 15 |
| | Grafik Eye 3000 | QSGR-3P, QSGR-6P | 17 |
| | Grafik Sys / Homeworks | RPM-4U | 26 |
| | Maestro CL | MACL-153M, MSCL-OP153M, MSCL-VP153M | 9 |

Recommended 0-10V Dimmers (Dims down to 1% nominal measured light output)

| Brand | Series | Model Number | Max Load |
|--------------|-----------------|--------------|----------|
| Legrand | Titan | CD4FB | 100 |
| Leviton | IllumaTech | IP710-DLZ | 60 |
| Lithonia | Synergy | ISD BC | 60 |
| Lutron | Diva | DVTV | 50 |
| | Nova | NFTV | 100 |
| | Nova | NTSTV-DV | 50 |
| | Vive-PowPak | RMJS-8T-DV-B | 30 |
| Watt Stopper | Micro-Decorator | DCLV1 | 30 |
| | DLM | LMRC-211 | 50 |



JUNCTION BOX COMPATIBILITY

Recommended Junction Boxes

| Junction Box | Minimum Depth | Minimum Volume | Through-Wire Ratings |
|--------------------------------------|---------------|----------------------|---------------------------------|
| 40 Octagonal Junction Box (metallic) | 2 1/8" | 21.5 in ³ | 6 (three in, three out) #12 AWG |
| 30 Round Junction Box (non-metallic) | 2 3/4" | 18 in ³ | 6 (three in, three out) #12 AWG |
| 40 Round Junction Box (non-metallic) | 2 3/16" | 20 in ³ | 6 (three in, three out) #12 AWG |