

# DRD5S

## 8" Round Surface Mount LED Area Light


Retrofit  
Junction Box

Project:	Type:
Product Code:	Date:

V101522



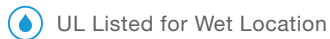
- 8" round area light for lighting smaller spaces including bathrooms, closets and kitchens
- Extends just 0.6 inches below the ceiling plane to minimize visual profile
- Utilizing a compact, integrated driver allows DRD5S to install into most metallic octagonal and non-metallic round junction boxes

<b>Application</b> Retrofit	<b>Junction Box</b> 4O Octagonal, 4O Round, 3O Round
<b>Delivered Lumens</b> 1500 lm (17W)	<b>Color Quality</b> 90+ CRI, < 3-step SDCM
<b>Color Temperature</b>  2700K   3000K   3500K	<b>Input Voltage</b> 120/277V
<b>Shape</b> 8" round	<b>Dimming</b> TRIAC/ELV, 0-10V
	<b>Finish</b> White

### Standards



### Module Ratings



### Guarantee

50,000 hrs | 5 years

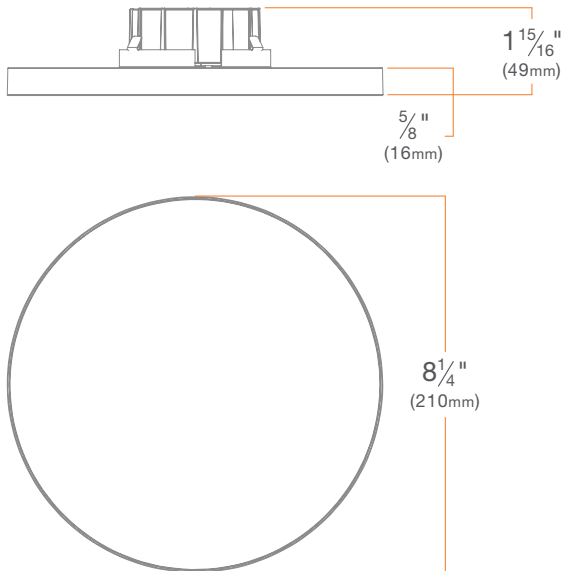


PRODUCT BUILDER

LED MODULE

PRODUCT CODE		DIMENSION		SHAPE		LUMENS		CRI		CCT		DRIVER	
<input type="text"/>		<input type="text"/>		<input type="text"/>		<input type="text"/>		<input type="text"/>		<input type="text"/>		<input type="text"/>	
<b>DRD5S</b>	Module	<b>8</b>	8" Diameter	<b>R</b>	Round	<b>15</b>	1500 lm	<b>9</b>	90+ CRI	<b>27</b>	2700K	<b>[Blank]</b>	TRIAC/ELV
										<b>30</b>	3000K	<b>O</b>	0-10V
										<b>35</b>	3500K		

## MODULE


**DRD5S**

8" Round Surface Mount LED Module

**DRD5S**

## SUMMARY

**LED:** Samsung optimized LED array

**SHAPE:** 8" round

**MODULE LUMENS:** 1500 lm (17W)

**COLOR QUALITY:** 90+ CRI, less than 3-step SDCM

**CCT:** 2700K, 3000K, 3500K

**INPUT VOLTAGE:** 120/277V

**DIMMING:** TRIAC/ELV at 120V, 0-10V at 120/277V

**MAX INPUT CURRENT (120V):** 0.15 amps

**MAX INPUT CURRENT (277V):** 0.06 amps

**POWER FACTOR:** Greater than 0.9

**TOTAL HARMONIC DISTORTION:** Less than 20%

**AMBIENT OPERATING TEMPERATURE:** -20°C to 40°C

**PHOTOMETRIC TESTING:** Tested in accordance to IESNA LM-79-2008

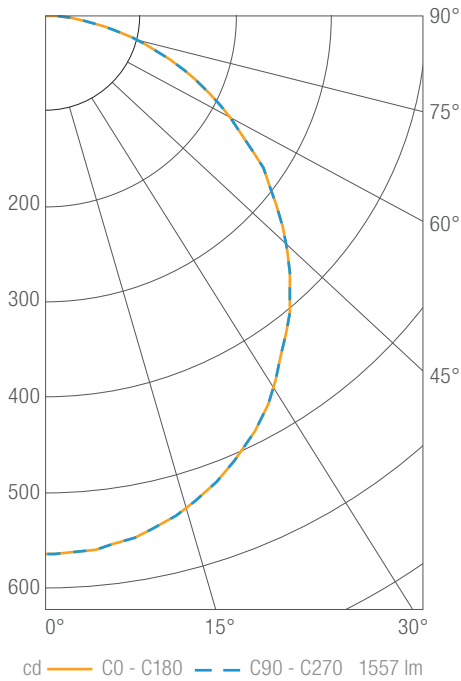
**TRIM:** Edgeless die-cast aluminum

**LISTINGS:** ENERGY STAR® qualified \*, California Title 24 2016 JA8 compliant, UL Listed for Wet Location, UL Certified US-CA

**LIFETIME:** 50,000 hours at 70% lumen maintenance

**WARRANTY:** 5 year limited warranty

\* Refer to ENERGY STAR Certified light fixtures database

**PHOTOMETRY**
**DRD5S 8" Round, 1500 lm, 90 CRI, 3000K DRD5S8R15930**

**Luminous Intensity**

Gamma	C 0°
0°	567
5°	564
10°	556
15°	542
20°	523
25°	499
30°	469
35°	433
40°	400
45°	360
50°	318
55°	279
60°	232
65°	189
70°	145
75°	100
80°	57
85°	25
90°	2

*Values in candela*
**Zonal Lumen Summary**

Zone	Lumens	Luminaire %
0-30	436	28
0-40	708	46
0-60	1234	79
0-90	1557	100
0-180	1557	100

**Illuminance Chart**

Distance from LED	Foot Candles	Diameter
3.0'	63	8.4'
6.0'	16	16.8'
9.0'	7	25.1'
12.0'	4	33.5'

*Beam Angle: 110°*

## DIMMER COMPATIBILITY

### Recommended Phase-control Dimmers (Dims down to 5% nominal measured light output)

Brand	Series	Model Number	Max Load
Cooper	Aspire	9573	17
Leviton	Vizia	VPE06	35
Lutron	CL Series	AYCL-253, DVCL-253	15
	Grafik Eye 3000	QSGR-3P, QSGR-6P	17
	Grafik Sys / Homeworks	RPM-4U	26
	Maestro CL	MACL-153M, MSCL-OP153M, MSCL-VP153M	9

### Recommended 0-10V Dimmers (Dims down to 1% nominal measured light output)

Brand	Series	Model Number	Max Load
Legrand	Titan	CD4FB	100
Leviton	IllumaTech	IP710-DLZ	60
Lithonia	Synergy	ISD BC	60
Lutron	Diva	DVTV	50
	Nova	NFTV	100
	Nova	NTSTV-DV	50
	Vive-PowPak	RMJS-8T-DV-B	30
Watt Stopper	Micro-Decorator	DCLV1	30
	DLM	LMRC-211	50



## JUNCTION BOX COMPATIBILITY

---

### Recommended Junction Boxes

Junction Box	Minimum Depth	Minimum Volume	Through-Wire Ratings
40 Octagonal Junction Box (metallic)	2 1/8"	21.5 in <sup>3</sup>	6 (three in, three out) #12 AWG
30 Round Junction Box (non-metallic)	2 3/4"	18 in <sup>3</sup>	6 (three in, three out) #12 AWG
40 Round Junction Box (non-metallic)	2 3/16"	20 in <sup>3</sup>	6 (three in, three out) #12 AWG