

DID2 & OneFrame

Integrator Recessed Downlight

New Construction
Deep Junction Box



Project:	Type:
Product Code:	Date:

Spec Sheet V - 03.01.21

ENGINEERED FOR CUSTOM INTEGRATORS

HIGH PERFORMANCE Produces up to 1250 lumens of 93+ CRI lighting for natural, true-to-life colors without sacrificing stellar efficiency

PRECISE CONTROL Field-changeable light distribution ranging from 15° to 90°+

DIM TO DARK Smooth, flicker-free dimming down to 1% with centralized or local control

FAST INSTALL Integrated driver, plug-and-play connection, and Twist & Lock Trims

MODULAR DESIGN Flexibility during and after installation with interchangeable modules, optics and trims

OPTICAL

Delivered Lumens (Power)

750 lm (9.5W), 1000 lm (12.5W),
1250 lm (14.3W)

Color Quality

93+ CRI, 2-step SDCM

Color Temperature

2700K 3000K 3500K
4000K Warm Dim (3000–1800K)

Beam Spread

Narrow Spot (15°) Wide Flood (60°)
Spot (25°) General (90°+)
Flood (40°) Linear (40° x 20°)

Specialty Lens

Hexcell Louver

PHYSICAL

Application

New Construction, Poured Concrete

Aperture

4" Octagonal Deep Junction Box

Ceiling Thickness

1/2" up to 1 3/4"

TRIMS

Available Trims

Round Beveled, Square, Hyperbolic, Pinhole,
Beveled Pinhole, Wall Wash, Decorative,
Flangeless, Dead Front

Trim Finish

White, Black, Silver, Custom

ELECTRICAL & CONTROLS

Input Voltage

120 / 277V

1% Dimming

TRIAC/ELV, Lutron EcoSystem

RATINGS

Housing Ratings

- Code compliant for use in fire-rated assemblies up to a maximum of 2-hours
- STC/IIC Sound Rated
- ASTM E283 Certified Air Tight
- IC (Insulation Contact) Rated

Module Ratings

- UL Listed for Wet Location



PRODUCT BUILDER

ONEFRAME HOUSING

PRODUCT CODE		APPLICATION		APERTURE		DRIVER	
<input type="text"/>		<input type="text"/>		<input type="text"/>		<input type="text"/>	
DRDH	Housing	N	New Construction	JD	Deep Junction Box	[Blank]	Integrated TRIAC/ELV
				JC	Deep Junction Box, Concrete Tight ¹	7C	Lutron EcoSystem ² , 750 lm
						10C	Lutron EcoSystem ² , 1000 lm
						10CW	Lutron EcoSystem ² , 1000 lm, Warm Dim
						12C	Lutron EcoSystem ² , 1250 lm

DID2 MODULE

PRODUCT CODE		LUMENS		CRI		CCT		BEAM SPREAD		SPECIALTY LENS		DIMMING	
<input type="text"/>		<input type="text"/>		<input type="text"/>		<input type="text"/>		<input type="text"/>		<input type="text"/>		<input type="text"/>	
DID2M	Module	07	750 lm	9	93+ CRI	27	2700K	GA	General Ambient (90°+)	[Blank]	None	T	Integrated TRIAC/ELV
		10	1000 lm			30	3000K	NS	Narrow Spot (15°) ⁴	H	Hexcell ⁵		
		12	1250 lm			35	3500K	SP	Spot (25°)				
						40	4000K	FL	Flood (40°)				
						3W	Warm Dim ³	WF	Wide Flood (60°)				
								LS	Linear Spread (40° x 20°)				

ONEFRAME TRIM

PRODUCT CODE		SHAPE		APERTURE		STYLE		FINISH		OPTION	
<input type="text"/>		<input type="text"/>		<input type="text"/>		<input type="text"/>		<input type="text"/>		<input type="text"/>	
DRD2T	Trim	R	Round	JD	Deep Junction Box	S	Beveled	WH	White	[Blank]	None
		S	Square ⁶			H	Hyperbolic ⁷	BK	Black	DOF	Decorative: Open, Frosted ^{7,8,9}
						P	Pinhole ⁷	SW	Silver Reflector, White Flange	DCF	Decorative: Closed, Frosted ^{7,8,9}
						B	Beveled Pinhole ⁷	CC	Custom Color	DCC	Decorative: Closed, Clear, Frosted Side ^{7,8,9}
						W	Wall Wash ⁷			DCCF	Decorative: Closed, Clear, Frosted Inside ^{7,8,9}
										FL	Flangeless ^{7,8,10}
										DF	Dead Front ^{7,8,9}

DRDHX-MUD-FL Flangeless Mud Plate (Required for Flangeless Trim)

¹ Only available in Integrated TRIAC/ELV dimming
² Lutron EcoSystem refers to LDE1 Hi-lume 1% EcoSystem LED driver with Soft-on, Fade-to-Black™
³ Only available in 1000 lm
⁴ Not available in Warm Dim CCT
⁵ Not available for General Ambient beam spread
⁶ Only available in Beveled or Wall Wash style
⁷ Only available in White or Custom Color finish
⁸ Only available in Round shape
⁹ Only available in Beveled style
¹⁰ Requires DRDHX-MUD-FL Mud Plate

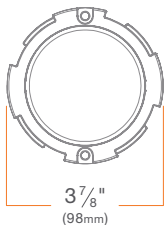
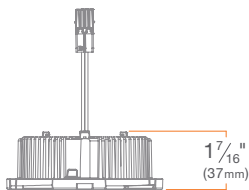


PRODUCT BUILDER

OPTICS ACCESSORIES

PRODUCT CODE	
<input type="text"/>	
DID2X-GA	Conversion Kit: DID2 Module to General Ambient (90°+)
DID2X-NS	Narrow Spot (15°)
DID2X-SP	Spot (25°)
DID2X-FL	Flood (40°)
DID2X-WF	Wide Flood (60°)
DID2X-LS	Linear Spread (40° x 20°)
DID2X-OP	Optics Kit: Narrow Spot (15°), Spot (25°), Flood (40°), Wide Flood (60°), Linear Spread (40° x 20°)
DID2X-NSH	Narrow Spot (15°), Hex Louver
DID2X-SPH	Spot (25°), Hex Louver
DID2X-FLH	Flood (40°), Hex Louver
DID2X-WFH	Wide Flood (60°), Hex Louver
DID2X-LSH	Linear Spread (40° x 20°), Hex Louver

MODULE



DID2

Integrator Module

DID2M

SUMMARY

LED CHIP: Cree

DELIVERED LUMENS (w Trim): 750 lm (9.5W), 1000 lm (12.5W), 1250 lm (14.3W)

EFFICACY: 79 lm/W, 80 lm/W, 87 lm/W

COLOR QUALITY: 93+ CRI, 2-step SDCM

CCT: 2700K, 3000K, 3500K, 4000K

BEAM SPREAD: General Ambient (90°+), Narrow Spot (15°), Spot (25°), Flood (40°), Wide Flood (60°), Linear Spread (40° x 20°)

CONNECTOR: PowerPlug® Luminaire Disconnect Model 182

INPUT VOLTAGE: 120/277V, 50/60Hz

DIMMING: Down to less than 1% for TRIAC/ELV at 120V, Lutron EcoSystem at 120/277V

MAX INPUT CURRENT (120V): 0.090 amps, 0.107 amps

MAX INPUT CURRENT (277V): 0.042 amps, 0.050 amps

POWER FACTOR: Greater than 0.9

TOTAL HARMONIC DISTORTION: Less than 20%

AMBIENT OPERATING TEMPERATURE: -20°C to 40°C

PHOTOMETRIC TESTING: Tested in accordance to IESNA LM-79-2008

LISTINGS: ENERGY STAR® qualified*, California Title 24 2016 JA8 compliant, UL Listed for Wet Location (flanged trims only), cULus Listed, Declare

LIFETIME: 50,000 hours at 70% lumen maintenance

WARRANTY: 5 year limited warranty

WARM DIM OPTION

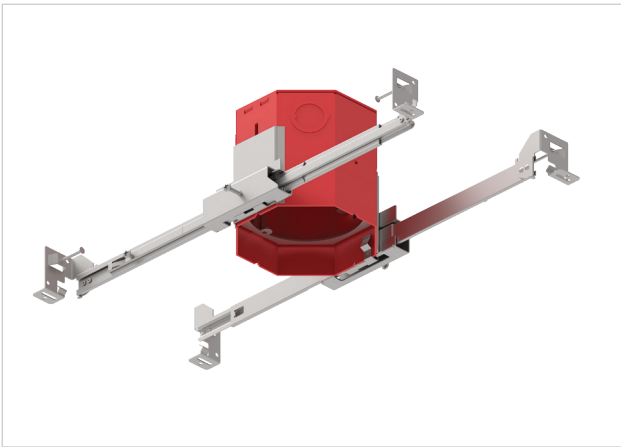
LED: Bridgelux LED, **DELIVERED LUMENS (w Trim):** 1000 lm (12.0W),

EFFICACY: 83 lm/W, **CCT RANGE:** 3000K - 1800K, **MAX INPUT**

CURRENT (120V): 0.11 amps, **MAX INPUT CURRENT (277V):** 0.047 amps

**Excludes Pinhole and Wall Wash Trims*

HOUSING



OneFrame

New Construction
Deep Junction Box
DRDHNJD

SUMMARY

JUNCTION BOX: Equipped with (8) trade size knockouts (four concentric side ($\frac{3}{4}'' + \frac{1}{2}''$), two concentric top ($\frac{3}{4}'' + \frac{1}{2}''$), two $\frac{1}{2}''$ top) and (4) Romex knockouts (top) to allow straight conduit runs. Approved for 8 (four in, four out) #12 AWG 70°C.

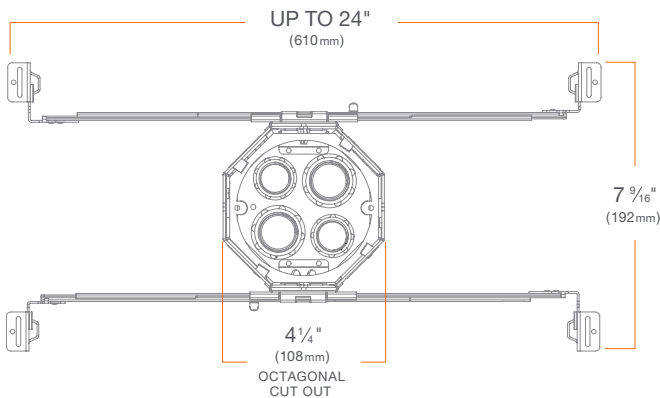
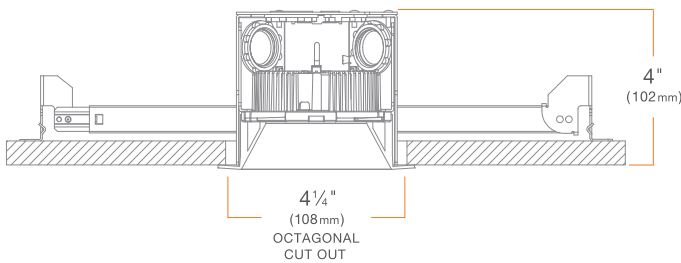
MOUNTING: Pre-installed mounting brackets allow vertical adjustment of bar hangers up to 1".

CEILING: $\frac{1}{2}''$ up to $1 \frac{3}{4}''$

CUTOUT: $4 \frac{1}{4}''$ (108mm) octagonal opening

LISTINGS: Metallic outlet box certified UL514A, code compliant for use in appropriate fire-rated assemblies for up to 2-hours, STC/IIC Sound Rated, ASTM E283 certified Air Tight, IC (Insulation Contact) rated

WARRANTY: 5 year limited warranty



HOUSING - Concrete Tight



OneFrame

Concrete Tight
Deep Junction Box

DRDHNJC

- Designed for high rise structures that require steel and concrete for reinforcement
- Features spot-welded areas and adaptations for poured concrete applications

SUMMARY

JUNCTION BOX: Equipped with (4) trade size concentric knockouts ($\frac{3}{4}'' + \frac{1}{2}''$) to allow straight conduit runs. Approved for 8 (four in, four out) #12 AWG 90°C.

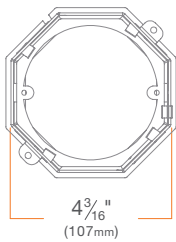
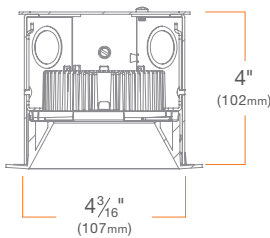
MOUNTING: (2) external tabs for wood, steel or concrete form mounting

COVER: Removable top cover for easy access to electrical wiring work prior to concrete pour

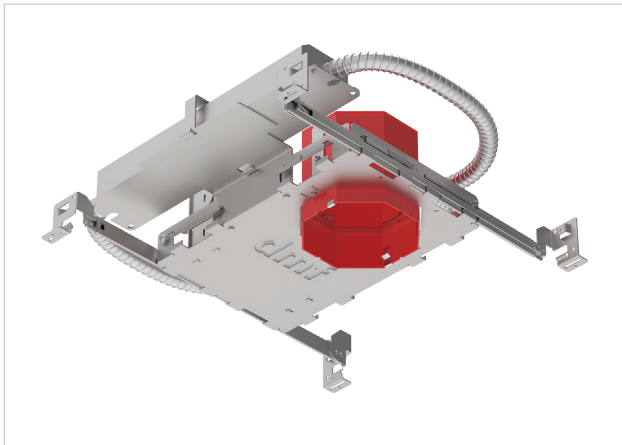
APPLICATION: Poured deck (floor) high-rise new construction

LISTINGS: Metallic outlet box certified UL514A, concrete tight, code compliant for use in appropriate fire-rated assemblies for up to 2-hours, STC/IIC Sound Rated, ASTM E283 certified Air Tight

WARRANTY: 5 year limited warranty



HOUSING - Lutron EcoSystem Dimming



OneFrame

Lutron EcoSystem Dimming

Deep Junction Box

DRDHNJD

- Offers compatible dimming with Lutron EcoSystem Hi-Lume® 1% protocol

SUMMARY

JUNCTION BOX: Equipped with (2) trade size concentric top knockouts ($\frac{3}{4}$ " + $\frac{1}{2}$ ") to allow straight conduit runs. Approved for 2 (one in, one out) #12 AWG 70°C.

MOUNTING: Pre-installed mounting brackets allow vertical adjustment of bar hangers up to 1".

CEILING: $\frac{1}{2}$ " up to 1 $\frac{3}{4}$ "

CUTOUT: 4 $\frac{1}{4}$ " (108mm) octagonal opening

LISTINGS: Metallic outlet box certified UL514A, code compliant for use in appropriate fire-rated assemblies for up to 2-hours, STC/IIC Sound Rated, ASTM E283 certified Air Tight, IC (Insulation Contact) rated

INPUT VOLTAGE: 120/277V, 50/60Hz

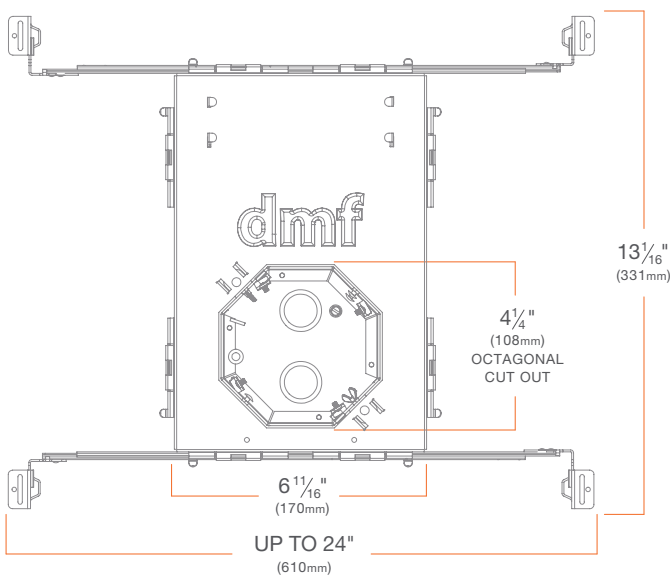
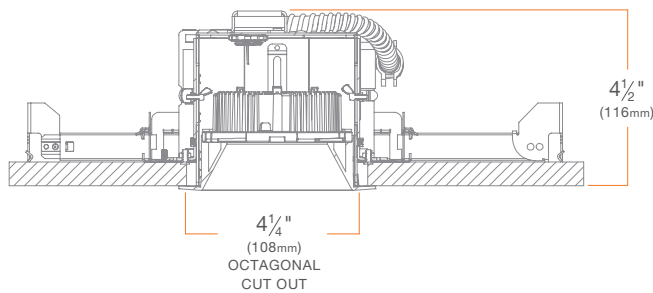
MAX INPUT CURRENT (120V): 0.090 amps (750 lm), 0.107 amps (1000 lm), 0.11 amps (1000 lm Warm Dim)

MAX INPUT CURRENT (277V): 0.042 amps (750 lm), 0.050 amps (1000 lm), 0.047 amps (1000 lm Warm Dim)

POWER FACTOR: Greater than 0.9

TOTAL HARMONIC DISTORTION: Less than 20%

WARRANTY: 5 year limited warranty



TRIM



OneFrame Trims

Recessed LED Downlight Trims

DRD2T

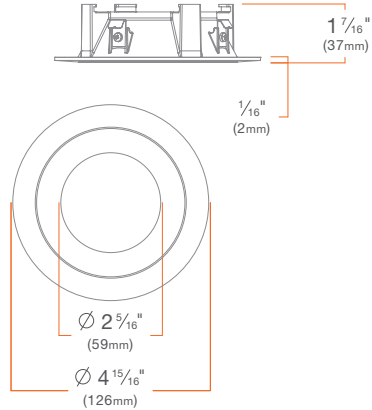
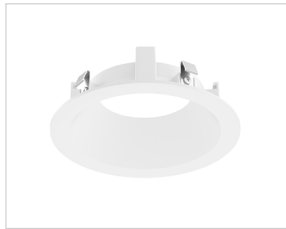
SUMMARY

CONSTRUCTION: Die-cast aluminum

INSTALLATION: Twist & Lock (flanged trims only)

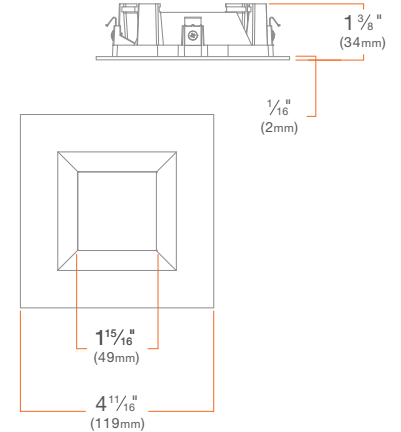
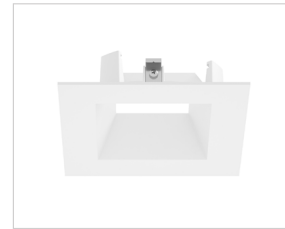
Beveled Trim

DRD2TRJDSWH



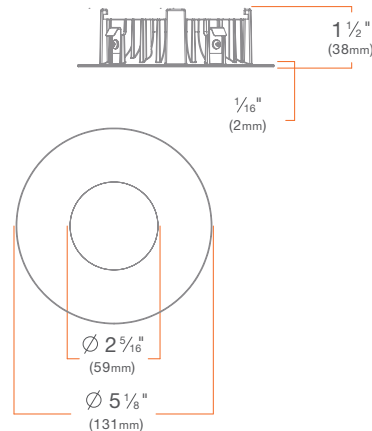
Square Trim

DRD2TSJDSWH



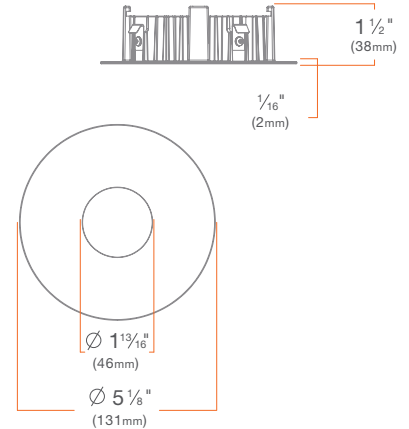
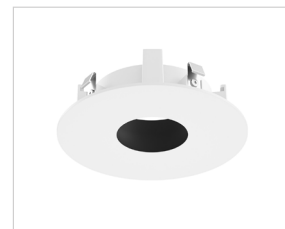
Hyperbolic Trim

DRD2TRJDHWH



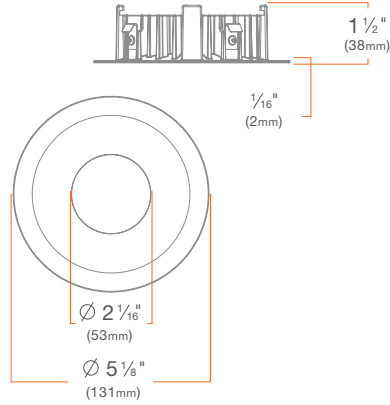
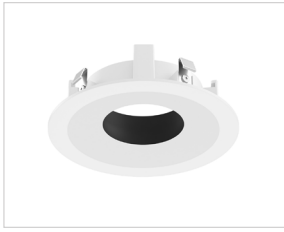
Pinhole Trim

DRD2TRJDPWH



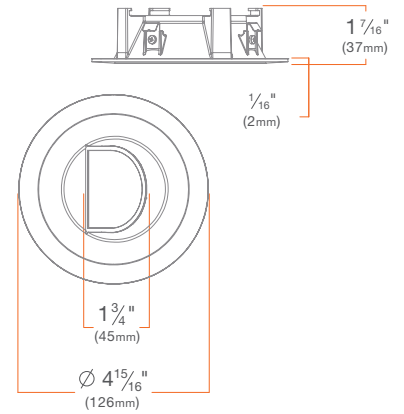
Beveled Pinhole Trim

Round: **DRD2TRJDBWH**



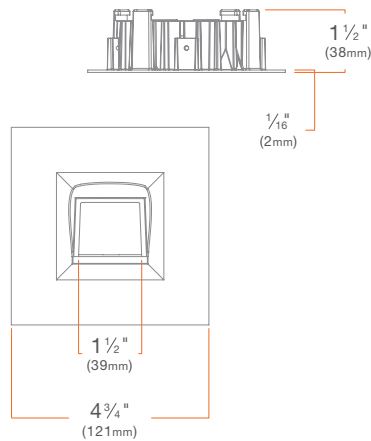
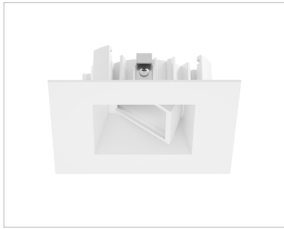
Round Wall Wash Trim

Round: **DRD2TRJDWWH**



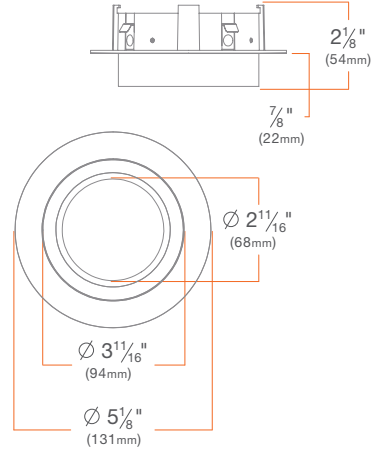
Square Wall Wash Trim

Square: **DRD2TSJDWWH**



Decorative Open Trim

Frosted: **DRD2TRJDSWHDOF**

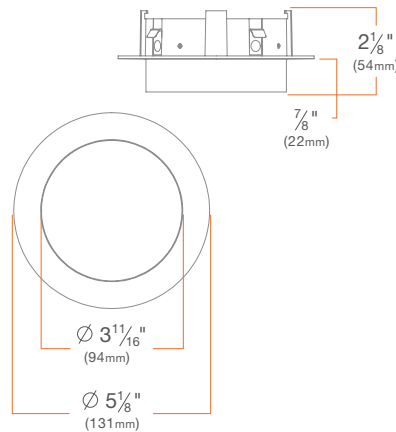


Decorative Closed Trim

Frosted: **DRD2TRJDSWHDCF**

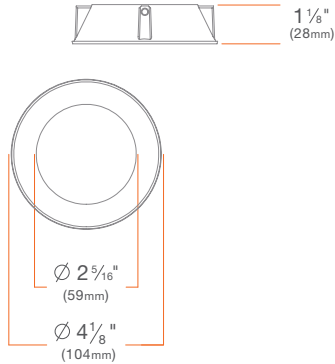
Clear, Frosted Inside: **DRD2TRJDSWHDCC**

Clear, Frosted Sides: **DRD2TRJDSWHDCCF**



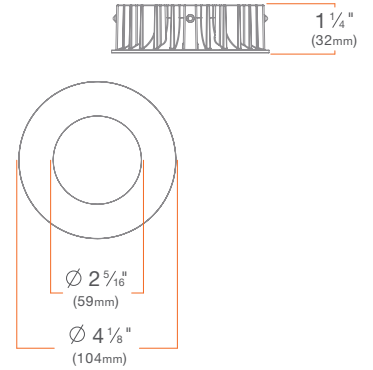
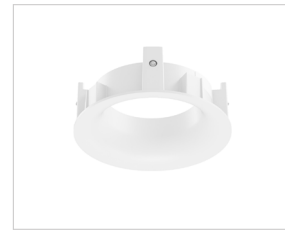
Round Flangeless Trim Insert

DRD2TRJDSWHFL



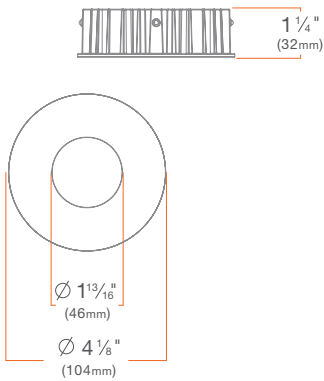
Hyperbolic Flangeless Trim Insert

DRD2TRJDHWHFL



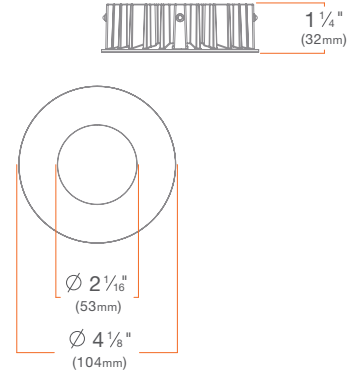
Pinhole Flangeless Trim Insert

DRD2TRJDPWHFL



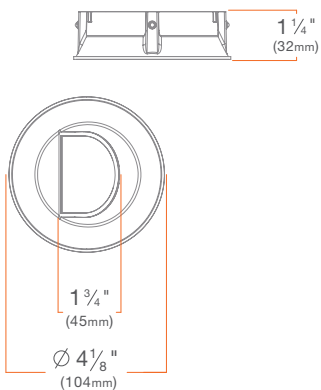
Beveled Pinhole Flangeless Trim Insert

DRD2TRJDBWHFL



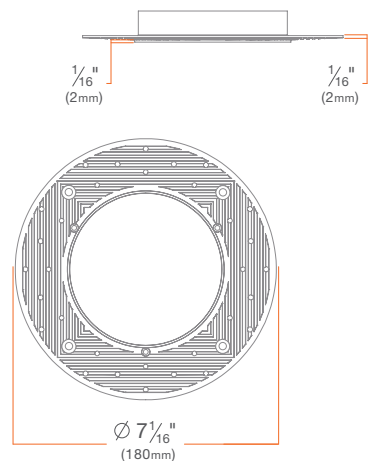
Round Wall Wash Flangeless Trim Insert

DRD2TRJDWWHFL



Flangeless Mud Plate

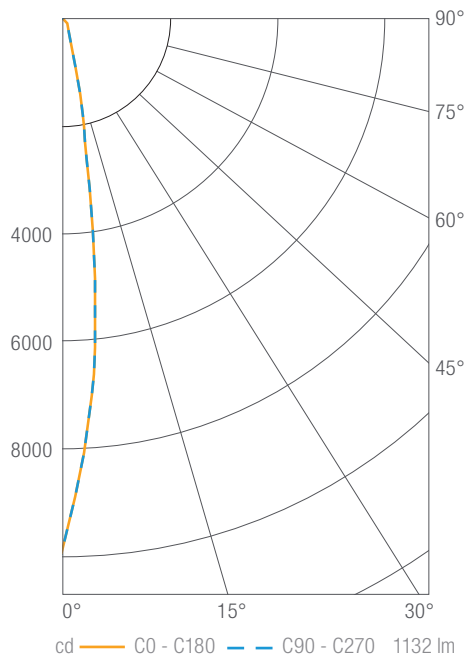
DRDHX-MUD-FL



PHOTOMETRY

DID2 1000 lm, 3000K, Narrow Spot

DID2M10930NS



Luminous Intensity

Gamma	C 0°
0°	9823
5°	6600
10°	2335
15°	734
20°	357
25°	244
30°	195
35°	159
40°	116
45°	85
50°	61
55°	42
60°	28
65°	16
70°	7
75°	4
80°	2
85°	1
90°	0

Values in candela

Zonal Lumen Summary

Zone	Lumens	Luminaire %
0-30	906	80
0-40	1004	89
0-60	1110	98
0-90	1131	100
0-180	1132	100

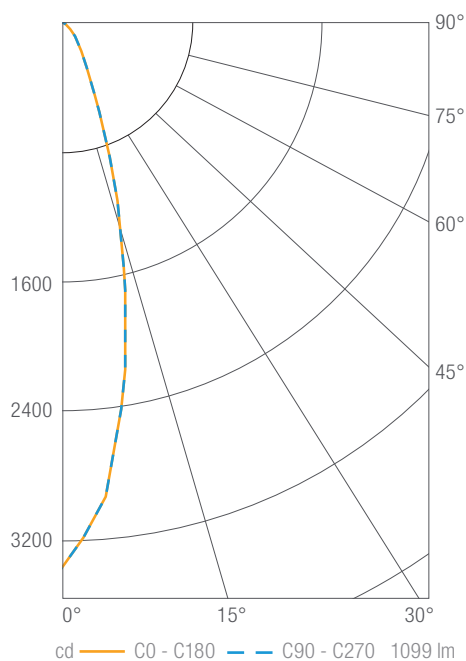
Illuminance Chart

Distance from LED	Foot Candles	Diameter
3'	1091	0.7'
6'	273	1.5'
9'	121	2.2'
12'	68	2.9'

Beam Angle: 14°

DID2 1000 lm, 3000K, Spot

DID2M10930SP



Luminous Intensity

Gamma	C 0°
0°	3366
5°	2967
10°	2203
15°	1391
20°	775
25°	419
30°	248
35°	167
40°	119
45°	87
50°	62
55°	43
60°	26
65°	15
70°	7
75°	4
80°	2
85°	1
90°	0

Values in candela

Zonal Lumen Summary

Zone	Lumens	Luminaire %
0-30	862	78
0-40	971	88
0-60	1078	98
0-90	1098	100
0-180	1099	100

Illuminance Chart

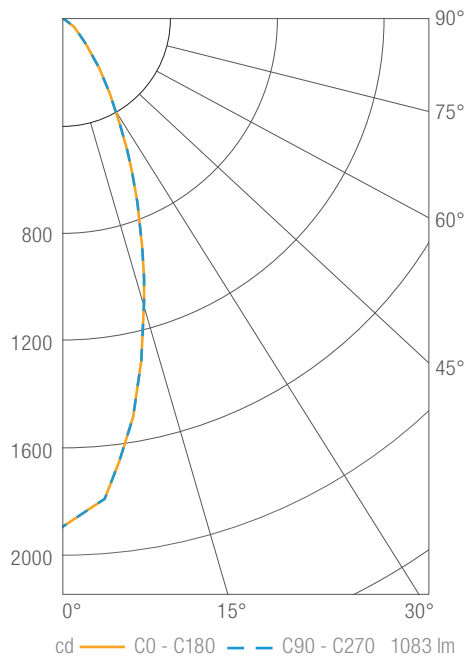
Distance from LED	Foot Candles	Diameter
3'	374	1.4'
6'	93	2.8'
9'	42	4.2'
12'	23	5.6'

Beam Angle: 26°

PHOTOMETRY

DID2 1000 lm, 3000K, Flood

DID2M10930FL



Luminous Intensity

Gamma	C 0°
0°	1890
5°	1792
10°	1503
15°	1161
20°	849
25°	589
30°	391
35°	256
40°	162
45°	107
50°	74
55°	51
60°	30
65°	18
70°	8
75°	5
80°	3
85°	1
90°	0

Values in candela

Zonal Lumen Summary

Zone	Lumens	Luminaire %
0-30	760	70
0-40	925	85
0-60	1058	98
0-90	1081	100
0-180	1083	100

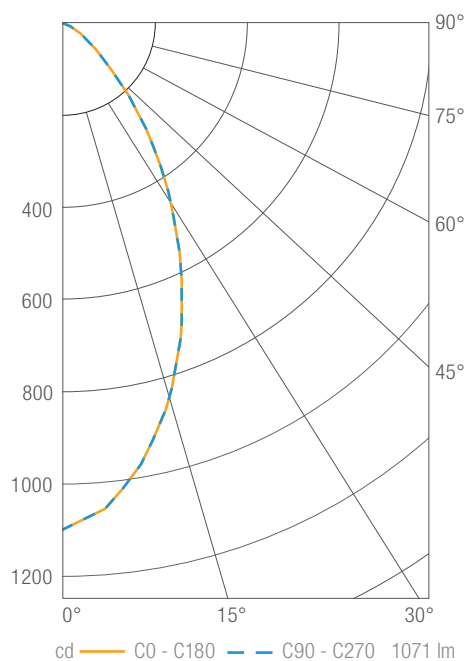
Illuminance Chart

Distance from LED	Foot Candles	Diameter
3'	210	2.0'
6'	52	4.0'
9'	23	6.0'
12'	13	8.0'

Beam Angle: 37°

DID2 1000 lm, 3000K, Wide Flood

DID2M10930WF



Luminous Intensity

Gamma	C 0°
0°	1100
5°	1058
10°	973
15°	866
20°	743
25°	609
30°	478
35°	361
40°	252
45°	161
50°	102
55°	68
60°	41
65°	24
70°	11
75°	6
80°	4
85°	2
90°	0

Values in candela

Zonal Lumen Summary

Zone	Lumens	Luminaire %
0-30	620	58
0-40	845	79
0-60	1037	97
0-90	1069	100
0-180	1071	100

Illuminance Chart

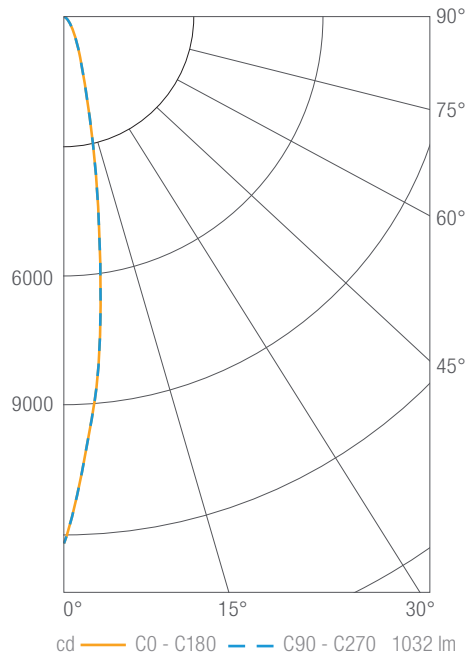
Distance from LED	Foot Candles	Diameter
3'	122	3.1'
6'	31	6.2'
9'	14	9.3'
12'	8	12.3'

Beam Angle: 55°

PHOTOMETRY

DID2 1000 lm, 3000K, General Ambient

DID2M10930GA



Luminous Intensity

Gamma	C 0°
0°	416
5°	415
10°	410
15°	403
20°	394
25°	382
30°	369
35°	351
40°	327
45°	291
50°	240
55°	162
60°	84
65°	54
70°	33
75°	21
80°	12
85°	6
90°	1

Values in candela

Zonal Lumen Summary

Zone	Lumens	Luminaire %
0-30	333	32
0-40	557	54
0-60	942	91
0-90	1024	99
0-180	1032	100

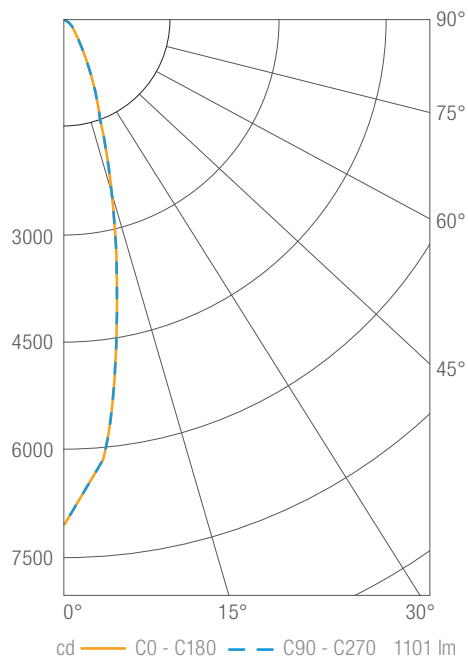
Illuminance Chart

Distance from LED	Foot Candles	Diameter
3'	46	7.8'
6'	12	15.5'
9'	5	23.3'
12'	3	31.1'

Beam Angle: 100°

DID2 1000 lm, 3000K, Soft Focus

DID2M10930SF



Luminous Intensity

Gamma	C 0°
0°	7280
5°	5603
10°	2489
15°	875
20°	381
25°	247
30°	194
35°	161
40°	122
45°	90
50°	64
55°	45
60°	28
65°	16
70°	7
75°	4
80°	2
85°	1
90°	0

Values in candela

Zonal Lumen Summary

Zone	Lumens	Luminaire %
0-30	868	79
0-40	968	88
0-60	1078	98
0-90	1100	100
0-180	1101	100

Illuminance Chart

Distance from LED	Foot Candles	Diameter
3'	809	0.9'
6'	202	1.7'
9'	90	2.6'
12'	51	3.4'

Beam Angle: 16°