

DID4 & OneFrame

Adjustable Integrator Recessed Downlight

New Construction
Deep Junction Box



Project:	Type:
Product Code:	Date:

Spec Sheet V - 05.01.21

ENGINEERED FOR CUSTOM INTEGRATORS

FULLY ADJUSTABLE 360° directional aiming for complete light coverage

PRECISE CONTROL Class leading 45° tilt with 15°, 25° or 40° field-changeable light distributions

DIM TO DARK Smooth, flicker-free dimming down to 1% with centralized or local control

FAST INSTALL Integrated driver, plug-and-play connection, and Twist & Lock Trims

MODULAR DESIGN Flexibility during and after installation with interchangeable modules, optics and trims

OPTICAL

Adjustment

360° directional aim, 45° tilt

Delivered Lumens (Power)

750 lm (9.5W), 1000 lm (12.5W)

Color Quality

93+ CRI, 2-step SDCM

Color Temperature

- 2700K
- 3000K
- 3500K
- 4000K
- Warm Dim (3000–1800K)

Beam Spread

- Narrow Spot (15°)
- Linear (60° x 30°)
- Spot (25°)
- Soft Focus
- Flood (40°)

Specialty Lens

- Hexcell Louver

PHYSICAL

Application

New Construction, Poured Concrete

Aperture

4" Octagonal Deep Junction Box

Ceiling Thickness

½" up to 1¾"

TRIMS

Available Trims

Round Beveled, Hyperbolic, Pinhole, Beveled Pinhole, Flangeless

Trim Finish

White, Black, Silver, Custom

ELECTRICAL & CONTROLS

Input Voltage

120 / 277V

1% Dimming

TRIAC/ELV, Lutron EcoSystem

RATINGS

Housing Ratings

- Code compliant for use in fire-rated assemblies up to a maximum of 2-hours
- STC/IIC Sound Rated
- ASTM E283 Certified Air Tight
- IC (Insulation Contact) Rated

Module Ratings

- UL Listed for Damp Location



PRODUCT BUILDER

ONEFRAME HOUSING

PRODUCT CODE		APPLICATION		APERTURE		DRIVER	
DRDH	Housing	N	New Construction	JD	Deep Junction Box	[Blank]	Integrated TRIAC/ELV
				JC	Deep Junction Box, Concrete Tight ¹	7C4	Lutron EcoSystem ² , 750 lm
						10C4	Lutron EcoSystem ² , 1000 lm
						10CW4	Lutron EcoSystem ² , 1000 lm, Warm Dim

DID4 MODULE

PRODUCT CODE		LUMENS		CRI	CCT		BEAM SPREAD		FINISH		SPECIALTY LENS		DIMMING		
DID4M	Module	07	750 lm	9	93+ CRI	27	2700K	NS	Narrow Spot (15°) ⁴	[Blank]	Black	[Blank]	None	T	Integrated TRIAC/ELV
		10	1000 lm			30	3000K	SP	Spot (25°)	W	White	H	Hexcell ⁵		
						35	3500K	FL	Flood (40°)					A	Alternate ² for use with Lutron EcoSystem
						40	4000K	LS	Linear (60° x 30°)						
						3W	Warm Dim ³	SF	Soft Focus						

ONEFRAME TRIM

PRODUCT CODE		SHAPE		APERTURE		STYLE		FINISH		OPTION	
DRD2T	Trim	R	Round	JD	Deep Junction Box	S	Beveled	WH	White	[Blank]	None
						H	Hyperbolic ⁶	BK	Black	FL	Flangeless ^{6,7}
						P	Pinhole ⁶	SW	Silver Reflector, White Flange		
						B	Beveled Pinhole ⁶	CC	Custom Color		

DRDHX-MUD-FL	Flangeless Mud Plate (Required with Flangeless Trim)
---------------------	--

¹ Only available in Integrated TRIAC/ELV dimming

² Lutron EcoSystem refers to LDE1 Hi-lume 1% EcoSystem LED driver with Soft-on, Fade-to-Black™

³ Only available in 1000 lm

⁴ Not available in Warm Dim CCT

⁵ Not available in Soft Focus beam spread

⁶ Only available in White or Custom Color finish

⁷ Requires DRDHX-MUD-FL Mud Plate

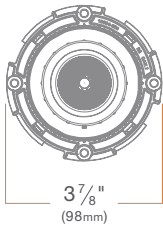
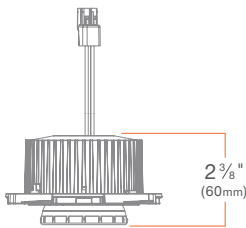


PRODUCT BUILDER

OPTICS ACCESSORIES

PRODUCT CODE	
<input type="text"/>	
DID4X-NS	Narrow Spot (15°)
DID4X-SP	Spot (25°)
DID4X-FL	Flood (40°)
DID4X-LS	Linear Spread (60° x 30°)
DID4X-SF	Soft Focus
DID4X-OP	Optics Kit: Narrow Spot (15°), Spot (25°), Flood (40°), Linear Spread (60° x 30°), Soft Focus
DID4X-HL	Hexcell Louver

MODULE



DID4

Adjustable Integrator Module

DID4M

SUMMARY

ADJUSTMENT: 360° directional aim, 45° tilt

SLOPE CEILING COMPATIBILITY: Up to 45°

LED CHIP: Cree

DELIVERED LUMENS (w Trim): 750 lm (9.7W), 1000 lm (12.0W)

EFFICACY: 82 lm/W

COLOR QUALITY: 93+ CRI, 2-step SDCM

CCT: 2700K, 3000K, 3500K, 4000K

BEAM SPREAD: Narrow Spot (15°), Spot (25°), Flood (40°), Linear Spread (60° x 30°), Soft Focus

SPECIALTY LENS: Hex Louver

CONNECTOR: PowerPlug® Luminaire Disconnect Model 182

INPUT VOLTAGE: 120/277V, 50/60Hz

DIMMING: Down to less than 1% for TRIAC/ELV at 120V, Lutron EcoSystem at 120/277V

MAX INPUT CURRENT (120V): 0.090 amps, 0.107 amps

MAX INPUT CURRENT (277V): 0.042 amps, 0.050 amps

POWER FACTOR: Greater than 0.9

TOTAL HARMONIC DISTORTION: Less than 20%

AMBIENT OPERATING TEMPERATURE: -20°C to 40°C

PHOTOMETRIC TESTING: Tested in accordance to IESNA LM-79-2008

LISTINGS: ENERGY STAR® qualified*, California Title 24 2016 JA8 compliant, UL Listed for Damp Location, cULus Listed, Declare

LIFETIME: 50,000 hours at 70% lumen maintenance

WARRANTY: 10 year limited warranty

WARM DIM OPTION

LED: Bridgelux LED, **DELIVERED LUMENS (w Trim):** 1000 lm (12.0W),

EFFICACY: 83 lm/W, **CCT RANGE:** 3000K - 1800K, **MAX INPUT CURRENT (120V):** 0.11 amps, **MAX INPUT CURRENT (277V):** 0.047 amps

*Excludes Pinhole Trims

HOUSING



OneFrame

New Construction
Deep Junction Box
DRDHNJD

SUMMARY

JUNCTION BOX: Equipped with (8) trade size knockouts (four concentric side ($\frac{3}{4}'' + \frac{1}{2}''$), two concentric top ($\frac{3}{4}'' + \frac{1}{2}''$), two $\frac{1}{2}''$ top) and (4) Romex knockouts (top) to allow straight conduit runs. Approved for 8 (four in, four out) #12 AWG 70°C.

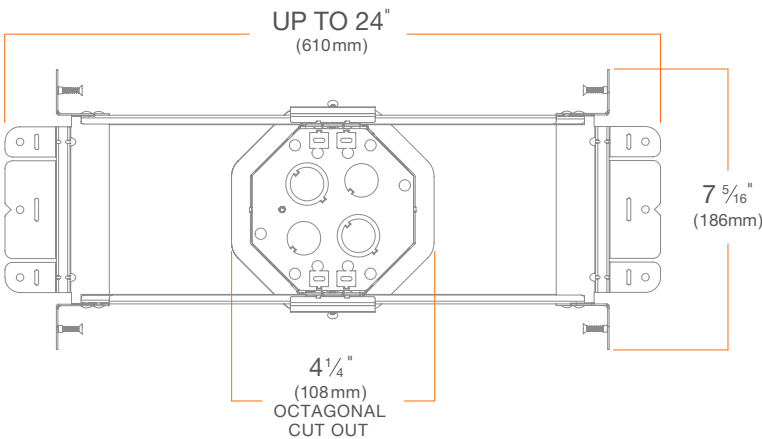
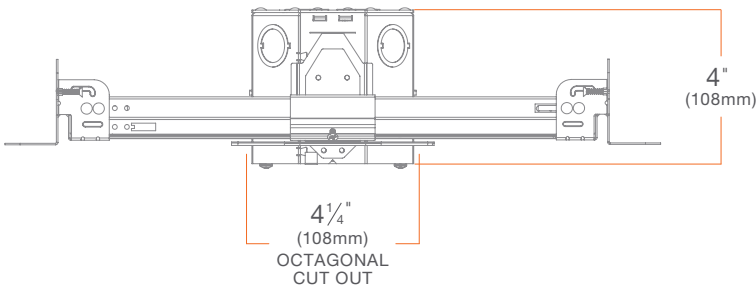
MOUNTING: Pre-installed mounting brackets allow vertical adjustment of bar hangers up to 1".

CEILING: $\frac{1}{2}''$ up to $1 \frac{3}{4}''$

CUTOUT: $4 \frac{1}{4}''$ (108mm) octagonal opening

LISTINGS: Metallic outlet box certified UL514A, code compliant for use in appropriate fire-rated assemblies for up to 2-hours, STC/IIC Sound Rated, ASTM E283 certified Air Tight, IC (Insulation Contact) rated

WARRANTY: 5 year limited warranty



HOUSING - Concrete Tight



OneFrame

Concrete Tight
Deep Junction Box
DRDHNJC

- Designed for high rise structures that require steel and concrete for reinforcement
- Features spot-welded areas and adaptations for poured concrete applications

SUMMARY

JUNCTION BOX: Equipped with (4) trade size concentric knockouts ($\frac{3}{4}'' + \frac{1}{2}''$) to allow straight conduit runs. Approved for 8 (four in, four out) #12 AWG 90°C.

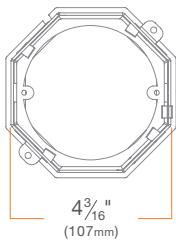
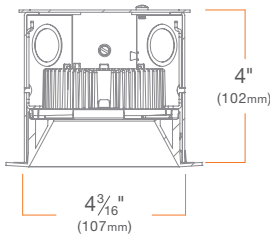
MOUNTING: (2) external tabs for wood, steel or concrete form mounting

COVER: Removable top cover for easy access to electrical wiring work prior to concrete pour

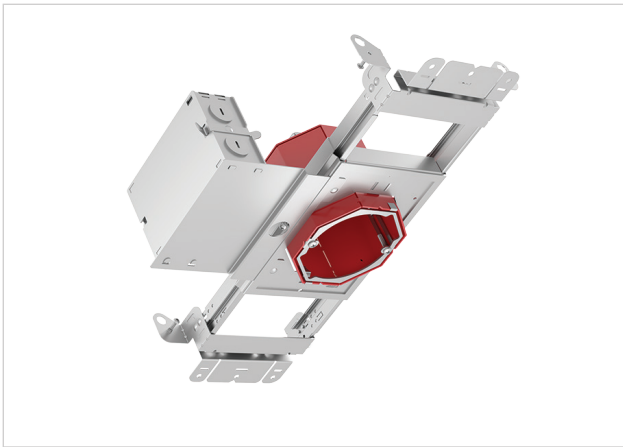
APPLICATION: Poured deck (floor) high-rise new construction

LISTINGS: Metallic outlet box certified UL514A, concrete tight, code compliant for use in appropriate fire-rated assemblies for up to 2-hours, STC/IIC Sound Rated, ASTM E283 certified Air Tight

WARRANTY: 5 year limited warranty



HOUSING - Lutron EcoSystem Dimming



OneFrame

Lutron EcoSystem Dimming
Deep Junction Box

DRDHNJD

- Offers compatible dimming with Lutron EcoSystem Hi-Lume® 1% protocol

SUMMARY

JUNCTION BOX: Equipped with (2) trade size concentric top knockouts ($\frac{3}{4}$ " + $\frac{1}{2}$ ") to allow straight conduit runs. Approved for 2 (one in, one out) #12 AWG 70°C.

MOUNTING: Pre-installed mounting brackets allow vertical adjustment of bar hangers up to 1".

CEILING: $\frac{1}{2}$ " up to $1\frac{3}{4}$ "

CUTOUT: $4\frac{1}{4}$ " (108mm) octagonal opening

LISTINGS: Metallic outlet box certified UL514A, code compliant for use in appropriate fire-rated assemblies for up to 2-hours, STC/IIC Sound Rated, ASTM E283 certified Air Tight, IC (Insulation Contact) rated

INPUT VOLTAGE: 120/277V, 50/60Hz

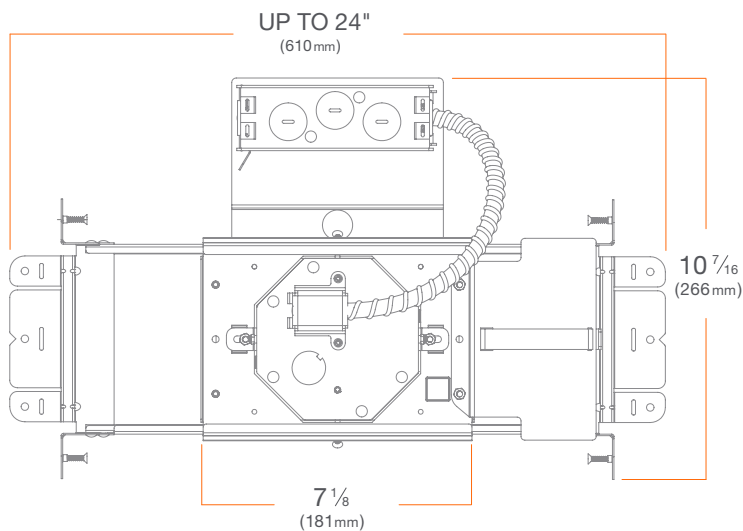
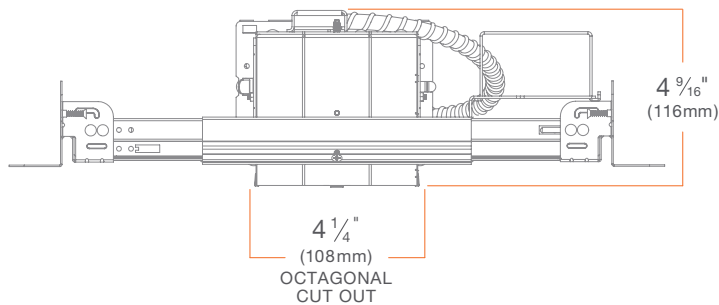
MAX INPUT CURRENT (120V): 0.090 amps (750 lm), 0.107 amps (1000 lm), 0.11 amps (1000 lm Warm Dim)

MAX INPUT CURRENT (277V): 0.042 amps (750 lm), 0.050 amps (1000 lm), 0.047 amps (1000 lm Warm Dim)

POWER FACTOR: Greater than 0.9

TOTAL HARMONIC DISTORTION: Less than 20%

WARRANTY: 5 year limited warranty



TRIM



OneFrame Trims

Recessed LED Downlight Trims

DRD2T

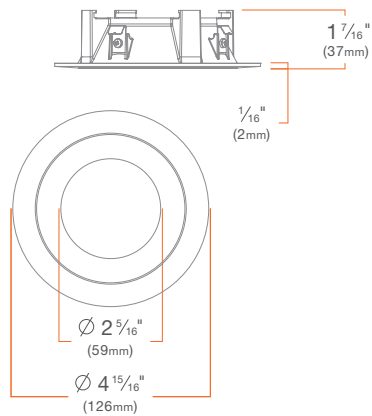
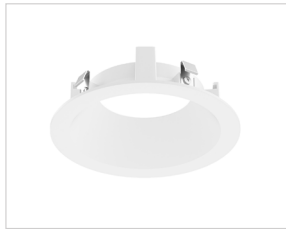
SUMMARY

CONSTRUCTION: Die-cast aluminum

INSTALLATION: Twist & Lock (flanged trims only)

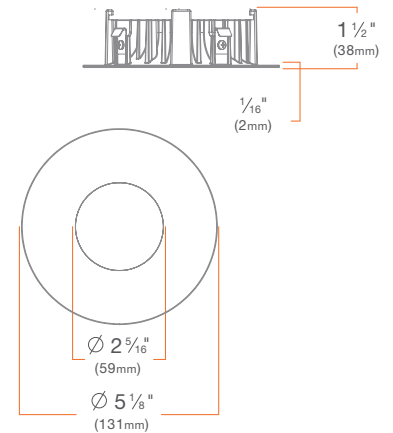
Beveled Trim

DRD2TRJDSWH



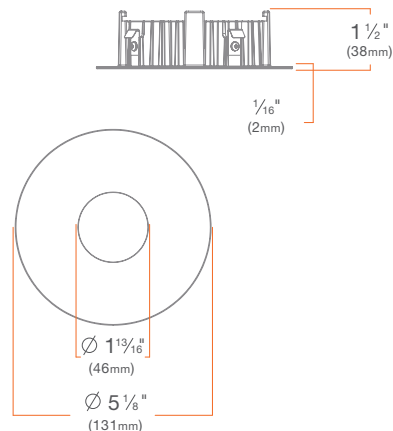
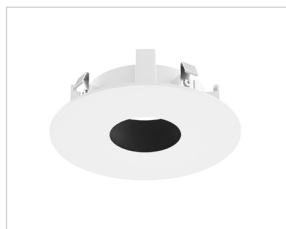
Hyperbolic Trim

DRD2TSJDHWH



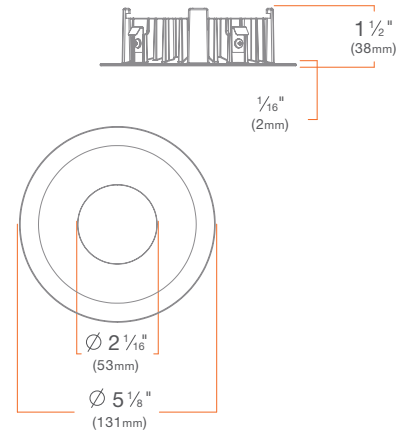
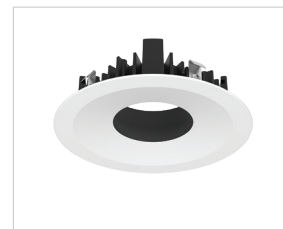
Pinhole Trim

DRD2TRJDPWH



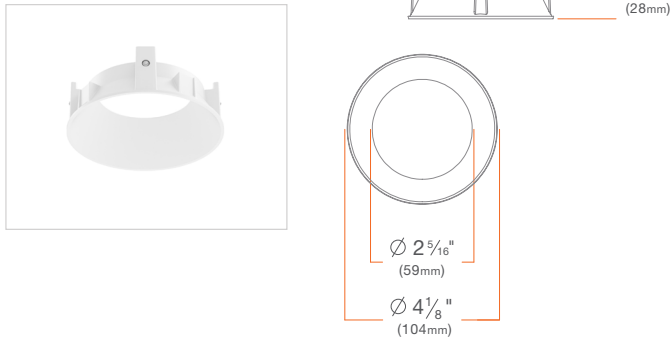
Beveled Pinhole Trim

DRD2TRJDBWH



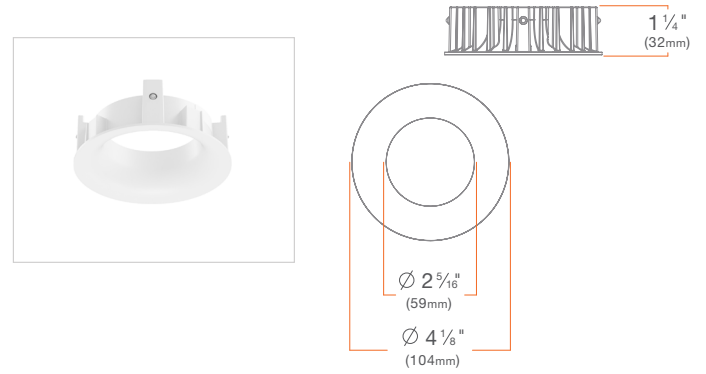
Round Flangeless Trim Insert

DRD2TRJDSWHFL



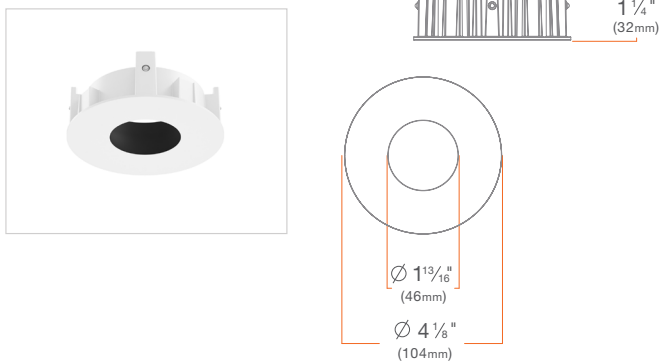
Hyperbolic Flangeless Trim Insert

DRD2TRJDHWHFL



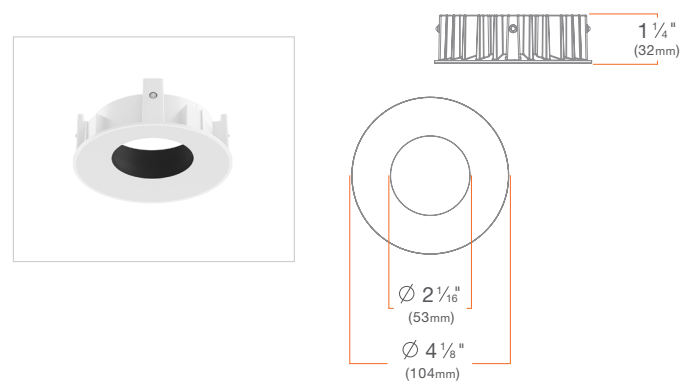
Pinhole Flangeless Trim Insert

DRD2TRJDPWHFL



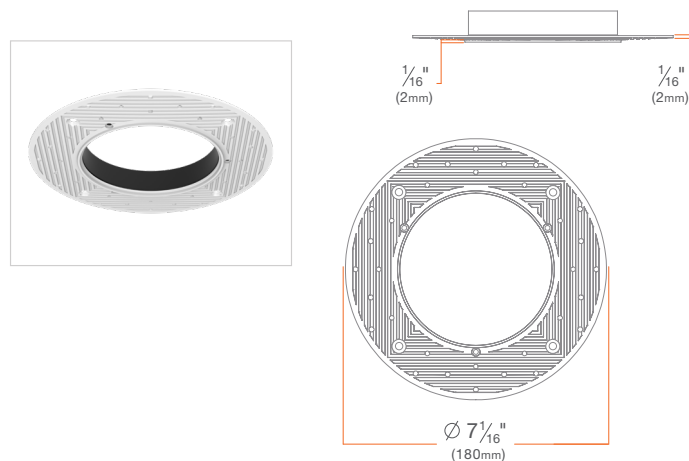
Beveled Pinhole Flangeless Trim Insert

DRD2TRJDBWHFL



Flangeless Mud Plate

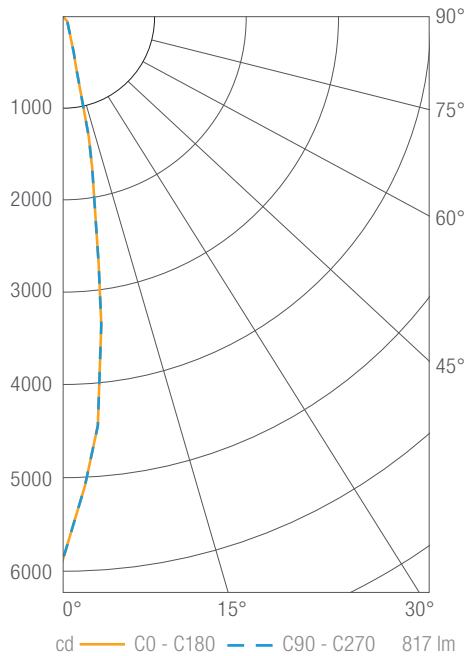
DRDHX-MUD-FL



PHOTOMETRY

DID4 750 lm, 3000K, Narrow Spot

DID4M07930NS



Luminous Intensity

Gamma	C 0°
0°	5897
5°	4418
10°	1911
15°	561
20°	280
25°	165
30°	117
35°	87
40°	69
45°	57
50°	47
55°	38
60°	31
65°	23
70°	16
75°	10
80°	4
85°	1
90°	0

Values in candela

Zonal Lumen Summary

Zone	Lumens	Luminaire %
0-30	645	79
0-40	701	86
0-60	781	96
0-90	817	100
0-180	817	100

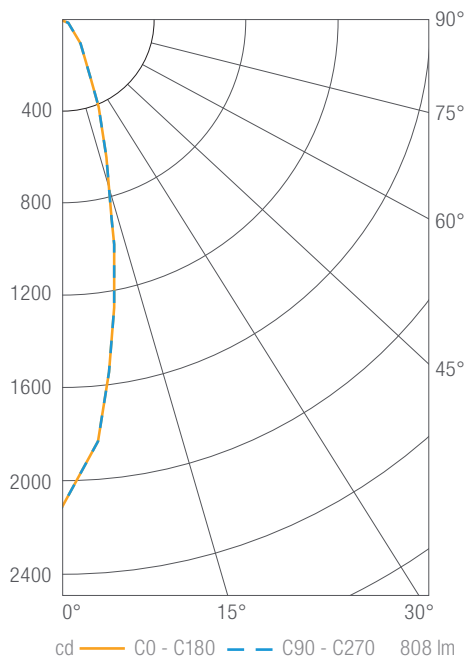
Illuminance Chart

Distance from LED	Foot Candles	Diameter
3'	655	0.8'
6'	164	1.7'
9'	73	2.5'
12'	41	3.3'

Beam Angle: 16°

DID4 750 lm, 3000K, Spot

DID4M07930SP



Luminous Intensity

Gamma	C 0°
0°	2105
5°	1826
10°	1282
15°	800
20°	497
25°	310
30°	201
35°	137
40°	98
45°	73
50°	57
55°	45
60°	35
65°	23
70°	12
75°	5
80°	3
85°	2
90°	0

Values in candela

Zonal Lumen Summary

Zone	Lumens	Luminaire %
0-30	573	71
0-40	668	83
0-60	773	96
0-90	808	100
0-180	808	100

Illuminance Chart

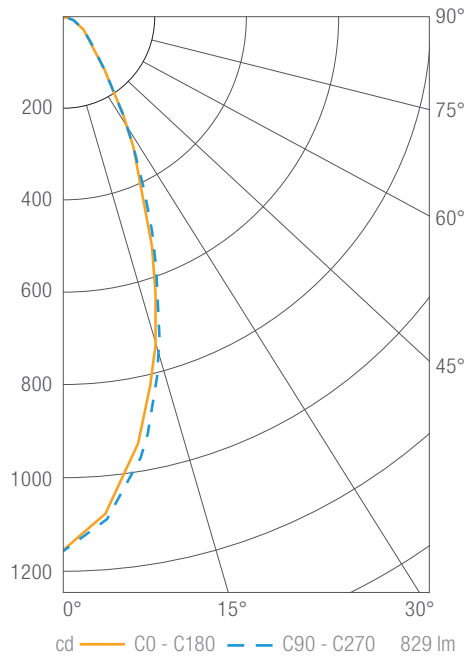
Distance from LED	Foot Candles	Diameter
3'	234	1.3'
6'	58	2.6'
9'	26	3.9'
12'	15	5.2'

Beam Angle: 28°

PHOTOMETRY

DID4 750 lm, 3000K, Flood

DID4M07930FL



Luminous Intensity

Gamma	C 0°
0°	1158
5°	1081
10°	941
15°	765
20°	576
25°	414
30°	288
35°	192
40°	130
45°	96
50°	76
55°	61
60°	49
65°	38
70°	28
75°	18
80°	10
85°	4
90°	0

Values in candela

Zonal Lumen Summary

Zone	Lumens	Luminaire %
0-30	510	62
0-40	633	76
0-60	766	92
0-90	829	100
0-180	829	100

Illuminance Chart

Distance from LED	Foot Candles	Diameter
3'	129	2.2'
6'	32	4.5'
9'	14	6.7'
12'	8	9.0'

Beam Angle: 41°