

Project:	Type:
Product Code:	Date:

V111124



4" Round

HIGH PERFORMANCE Produces up to 1500 lumens of True Spectrum™ lighting for natural, true-to-life colors without sacrificing stellar efficiency

PRECISE CONTROL Field-changeable light distribution ranging from 15° to 90°+

DIM TO DARK Smooth, flicker-free dimming with centralized or local control

FAST INSTALL Integrated driver, plug-and-play connection, and Twist & Lock Trims

MODULAR DESIGN Flexibility during and after installation with interchangeable modules, optics and trims

OPTICAL

Module

Downlight, Adjustable

Delivered Lumens (Power)

750 lm (9.5W), 1000 lm (12.0W),
1250 lm (14.3W), 1500 lm (14.3W)

Color Quality

True Spectrum™

Color Temperature

- 2700K
- 3000K
- 3500K
- 4000K
- Warm Dim (3000K–1800K)
- Tunable White (4000K–1800K)

Beam Spread

- 15° Narrow Spot
- 90°+ General
- 25° Spot
- 40° x 20° Linear Spread
- 40° Flood
- Soft Focus
- 60° Wide Flood

PHYSICAL

Aperture

4"

Application

New Construction, Remodel

Shape

Round

Ceiling Thickness

New Construction: 1/2" up to 1 3/4"
Remodel: 5/8" up to 1 1/4"
Spray Foam: 1/2" up to 2"
Low Profile: 1/2" up to 1 1/4"
Extension Collar: 1 3/4" up to 3"
(For use with Standard New Construction Only)

TRIMS

Shape

Round, Square Conversion

Style

Standard, Hyperbolic, Pinhole, Wall Wash,
Decorative, Flangeless, Dead Front

Finish

White, Black, Bronze, Clear Diffuse,
Warm Diffuse, Custom Color

ELECTRICAL & CONTROLS

Input Voltage

120 / 277V

Dimming

TRIAC/ELV (1%), DALI-2 (0.1%)

RATINGS

Housing

- ASTM E283 Certified Air Tight
- Code compliant for use in fire-rated assemblies up to a maximum of 2-hours
- STC/IIC Sound Rated
- Chicago Plenum

Module and Trim

- UL Listed for Wet Location
(Downlight Module with Flanged Trim only)
- DarkSky Approved
(Downlight only, CCT less than or equal to 3000K, non-decorative trims only)

SPECIALTY LENSE

- Hexcell Louver



PRODUCT BUILDER
M SERIES HOUSING

PRODUCT CODE		APPLICATION		SHAPE		RATING	
M4				R			
M4	4" Housing	NC	New Construction	R	Round ⁴	S	Standard ⁴
		CP	Chicago Plenum ¹			F	Fire Rated ⁴
		LT	Low Profile, TRIAC/ELV (3" Plenum) ²				
		DH	Double Housing ^{1,3}				
		RM	Remodel				
		CC	Concrete Construction ²				

ARTAFEX MODULE

PRODUCT CODE		LUMENS		CRI		CCT		BEAM SPREAD		FINISH		DIMMING	
				T									
ART4D	Downlight	07	750 lm	T	True Spectrum™	27	2700K	GA	General Ambient (90°+) ⁵	[Blank]	Black	T	TRIAC/ELV
ART4A	Adjustable	10	1000 lm			30	3000K	NS	Narrow Spot (15°) ^{9,13}	W	White ¹⁰	D	DALI-2 ^{11,12}
		12	1250 lm ⁵			35	3500K	SP	Spot (25°)				
		15	1500 lm ⁵			40	4000K	FL	Flood (40°)				
						3W	Warm Dim ⁶ (3000K– 1800K)	WF	Wide Flood (60°) ⁵				
						T1	Tunable White ^{7,8} (4000K– 1800K)	LS	Linear Spread				
								SF	Soft Focus ¹³				
								NH	Narrow Spot w/ Hex Louver ^{9,10,13,14}				
								SH	Spot w/ Hex Louver ^{10,14}				
								FH	Flood w/ Hex Louver ^{10,14}				

¹ Only available in Standard rating

² Not available for 1500 lm

³ Only available for 750 lm or 1000 lm

⁴ Not available for Concrete Construction installation

⁵ Only available in Downlight module

⁶ Only available in 1000 lm

⁷ Downlight only available in 1000 lm for DALI-2

⁸ Adjustable only available in 750 lm for DALI-2

⁹ Not available in Warm Dim or Tunable White

¹⁰ Only available for Adjustable module

¹¹ Downlight only available in 1000 lm for Tunable White and Warm Dim or 1250 lm with static CCT

¹² Adjustable only available in 750 lm for Tunable White and 1000 lm for Warm Dim or static CCT

¹³ In Adjustable, available in 750LM only. In Downlight, no lumen limitations

¹⁴ Not available for DALI-2

PRODUCT BUILDER
M SERIES TRIM

PRODUCT CODE		SHAPE		STYLE		FINISH		OPTION	
M4T		R							
M4T	4" Trim	R	Round	S	Standard	WH	White	[Blank]	None
				H	Hyperbolic ¹	BK	Black	DOF	Decorative: Open, Frosted ^{2,4,5,6,7}
				P	Pinhole ^{1,2}	BZ	Bronze	DCF	Decorative: Closed, Frosted ^{2,4,5,6,7}
				L	Wall Wash/ Sloped Ceiling ^{3,4,5}	CW	Clear Diffuse, White Flange	DCC	Decorative: Closed, Clear, Frosted Side ^{2,4,5,6,7}
				C	Square Conversion ⁴	WW	Warm Diffuse, White Flange	DCCF	Decorative: Closed, Clear, Frosted Inside ^{2,4,5,6,7}
						CC	Custom Color	FL	Flangeless ^{1,8}

M4XRMUD	Flangeless Mud Plate <i>(Required for flangeless drywall application)</i>
----------------	---

¹ Only available in White, Black, Bronze or Custom

² Only available for 750 lm or 1000 lm

³ Recommended with GA Beam Spread for General Wallwashing and SP Beam Spread for Sloped Ceiling; Not available in Custom Color

⁴ Only available in Downlight module

⁵ Only available for General Ambient beam spread

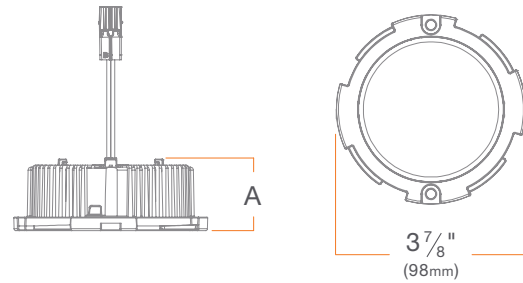
⁶ Only available in White or Custom Color finish

⁷ Only available in Standard style

⁸ Not available for Square Conversion or Concrete Construction

OPTICS ACCESSORIES

PRODUCT CODE	
DID2X-GA	Fixed Conversion Kit: DRD2 Module to General Ambient (90°+)
DID2X-NS	Fixed Narrow Spot (15°)
DID2X-SP	Fixed Spot (25°)
DID2X-FL	Fixed Flood (40°)
DID2X-WF	Fixed Wide Flood (60°)
DID2X-LS	Fixed Linear Spread (40° x 20°)
DID2X-SF	Fixed Soft Focus
DID2X-OP	Fixed Optics Kit: Narrow Spot (15°), Spot (25°), Flood (40°), Wide Flood (60°), Linear Spread (40° x 20°), Soft Focus
DID4X-NS	Adjustable Narrow Spot (15°)
DID4X-SP	Adjustable Spot (25°)
DID4X-FL	Adjustable Flood (40°)
DID4X-LS	Adjustable Linear Spread (60° x 30°)
DID4X-SF	Adjustable Soft Focus
DID4X-OP	Adjustable Optics Kit: Narrow Spot (15°), Spot (25°), Flood (40°), Linear Spread (60° x 30°), Soft Focus

DOWNLIGHT MODULE


Measurements	A
Standard	1 7/16" [37 mm]
DALI-2	2" [50 mm]

SUMMARY

	STANDARD STATIC CCT	WARM DIM	TUNABLE WHITE
CCT	2700K, 3000K, 3500K, 4000K	3000K - 1800K	4000K - 1800K
LUMENS (POWER)	750 lm (9.5W), 1000 lm (12.0W), 1250 lm (14.3W), 1500 lm (14.3W) ¹	1000 lm (12.0W)	1000 lm (14.0W)
EFFICACY	83 lm/W, 87 lm/W	83 lm/W	71 lm/W
COLOR QUALITY	True Spectrum™ 98 CRI, 2-step SDCM	True Spectrum™ 93 CRI, 2-step SDCM	True Spectrum™ 93 CRI, 2-step SDCM
DIMMING	TRIAC/ELV, DALI-2	TRIAC/ELV, DALI-2	DALI-2
LED CHIP	Cree Pro9	Bridgelux	Bridgelux
BEAM SPREAD	General Ambient (90°+), Narrow Spot (15°), Spot (25°), Flood (40°), Wide Flood (60°), Linear Spread (40° x 20°), Soft Focus		
LISTINGS	ENERGY STAR® qualified ² , California Title 24 2016-2022 JA8-E compliant, UL Listed for Wet Location, UL Certified US-CA, Declare, RoHS compliant, NSF/ANSI 2 listed, suitable for splash-zone ³ , DALI-2 Compliant, Dark Sky Compliant ⁴		

¹ 1500 lm module is 93 CRI

² Refer to ENERGY STAR Certified light fixtures database

³ This product is evaluated in accordance to NSF/ANSI 2 for Splash Zone having designated trim finishes

⁴ DarkSky Approved is only applicable to CCT Options less than or equal to 3000K

ADDITIONAL
INPUT VOLTAGE: 120/277V, 50/60Hz

MAX INPUT CURRENT (120V): 0.13 amps

MAX INPUT CURRENT (277V): 0.065 amps

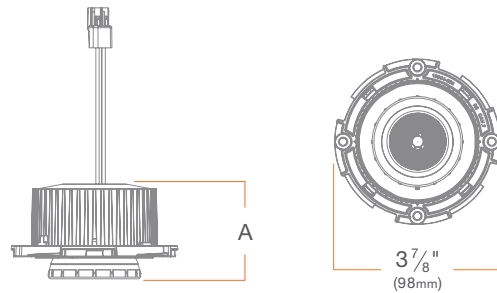
CONNECTOR: PowerPlug® Luminaire Disconnect Model 182, 6-pin Molex

POWER FACTOR: Greater than 0.9

TOTAL HARMONIC DISTORTION: Less than 20%

AMBIENT OPERATING TEMPERATURE: -20°C to 40°C

WARRANTY: 10 year limited warranty; 50,000 hours at 70% lumen maintenance

ADJUSTABLE MODULE

Measurements

	A
Standard	2 3/8" [60 mm]
DALI-2	2 1/2" [64 mm]

SUMMARY

	STANDARD STATIC CCT	WARM DIM	TUNABLE WHITE
CCT	2700K, 3000K, 3500K, 4000K	3000K - 1800K	4000K - 1800K
LUMENS (POWER)	750 lm (9.7W), 1000 lm (12.0W)	1000 lm (12.0W)	750 lm (12.5W)
EFFICACY	77 lm/W, 83 lm/W	83 lm/W	60 lm/W
COLOR QUALITY	True Spectrum™ 98 CRI, 2-step SDCM	True Spectrum™ 93 CRI, 2-step SDCM	True Spectrum™ 93 CRI, 2-step SDCM
DIMMING	TRIAC/ELV ¹ , DALI-2	TRIAC/ELV ¹ , DALI-2	DALI-2
LED CHIP	Cree Pro 9	Bridgelux	Bridgelux
BEAM SPREAD	Narrow Spot (15°), Spot (25°), Flood (40°), Linear Spread (60° x 30°), Soft Focus	Spot (25°), Flood (40°), Linear Spread (60° x 30°), Soft Focus	Spot (25°), Flood (40°), Linear Spread (60° x 30°), Soft Focus
LISTINGS	ENERGY STAR® qualified ² , California Title 24 2016-2022 JA8-E compliant, UL Listed for Damp Location, UL Certified US-CA, Declare, RoHS compliant, NSF/ANSI 2 listed, suitable for splash-zone ³ , DALI-2 Compliant, Dark Sky Compliant ⁴		
ADJUSTMENT	360° directional aim, 45° tilt		
SLOPE CEILING COMPATIBILITY	Up to 45°		

¹ Dimming at 120V only

² Refer to ENERGY STAR Certified light fixtures database

³ This product is evaluated in accordance to NSF/ANSI 2 for Splash Zone having designated trim finishes

⁴ DarkSky Approved is only applicable to CCT Options less than or equal to 3000K

ADDITIONAL
INPUT VOLTAGE: 120/277V, 50/60Hz

MAX INPUT CURRENT (120V): 0.13 amps

MAX INPUT CURRENT (277V): 0.065 amps

CONNECTOR: PowerPlug® Luminaire Disconnect Model 182, 6-pin Molex

POWER FACTOR: Greater than 0.9

TOTAL HARMONIC DISTORTION: Less than 20%

AMBIENT OPERATING TEMPERATURE: -20°C to 40°C

WARRANTY: 10 year limited warranty; 50,000 hours at 70% lumen maintenance

HOUSING



M Series

New Construction

SUMMARY

JUNCTION BOX: Equipped with 10 knockouts: two 1/2" and two 3/4" trade size knockouts on top, two 1/2" trade size knockouts on side, four romex knockouts on top. Approved for 8 (four in, four out) #12 AWG 70°C.

MOUNTING: Pre-installed mounting brackets allow vertical adjustment of bar hangers up to 1 1/4".

CEILING: 1/2" up to 1 3/4"

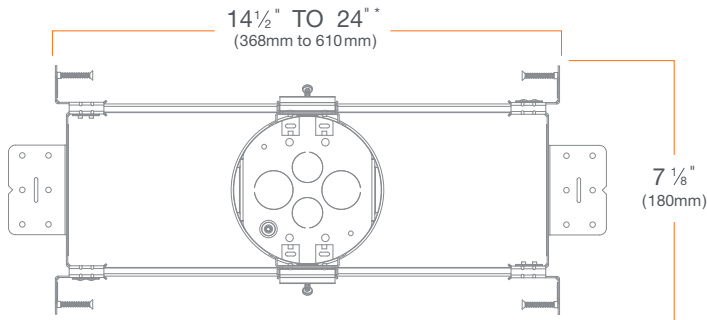
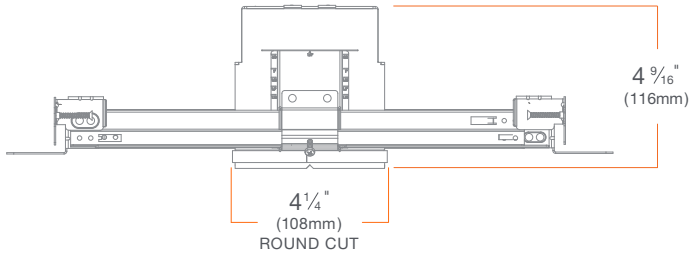
CUTOUT: 4 1/4" (108mm) round opening

LISTINGS: Metallic outlet box certified UL514A, code compliant for use in appropriate fire-rated assemblies for up to 2-hours (Fire Rated only), STC/IIC Sound Rated, ASTM E283 certified Air Tight, IC (Insulation Contact) rated

WARRANTY: 5 year limited warranty

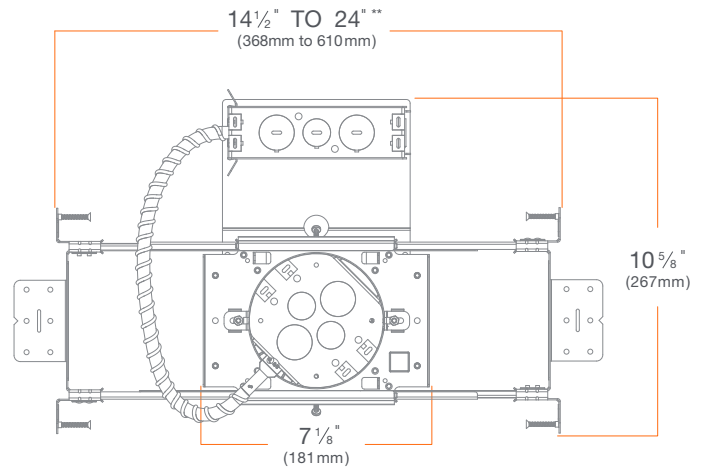
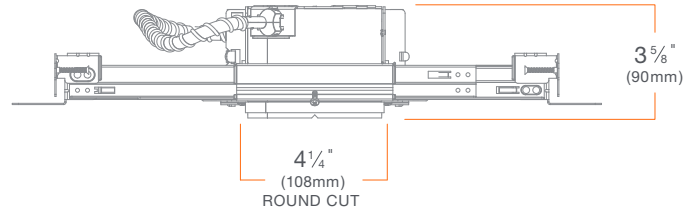
New Construction

- M4NCRS (Standard)
- M4NCRF (Fire Rated)
- M4CPRS (Chicago Plenum)



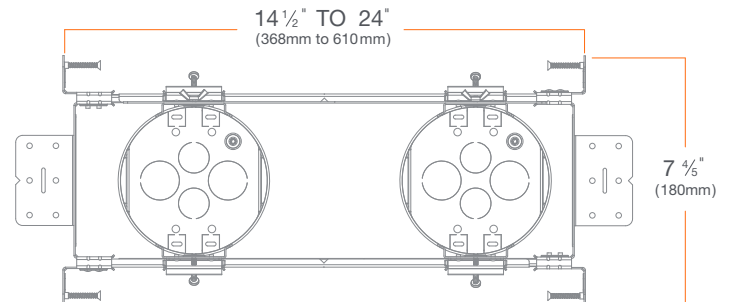
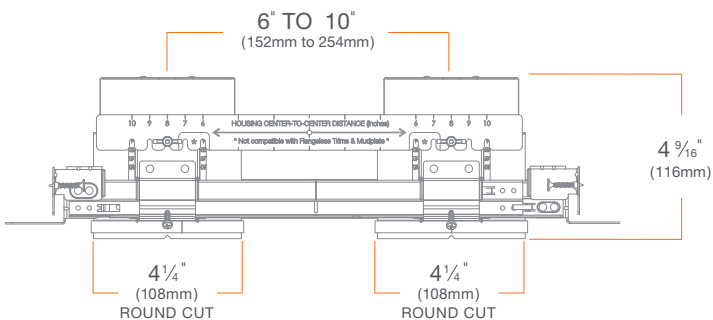
Low-Profile

- M4LTRS (Standard)
- M4LTRF (Fire Rated)



Double Housing

- M4DHRS



* Can be field cut to minimum 7 1/2" (191mm)

** Can be field cut to minimum 9" (229mm)

HOUSING



Spray Foam

M4SFRS

SUMMARY

JUNCTION BOX: Equipped with six knockouts: four 1/2" trade size knockouts, two 3/4" trade size knockouts, and four romex knockouts. Approved for 8 (four in, four out) #12 AWG 70° C

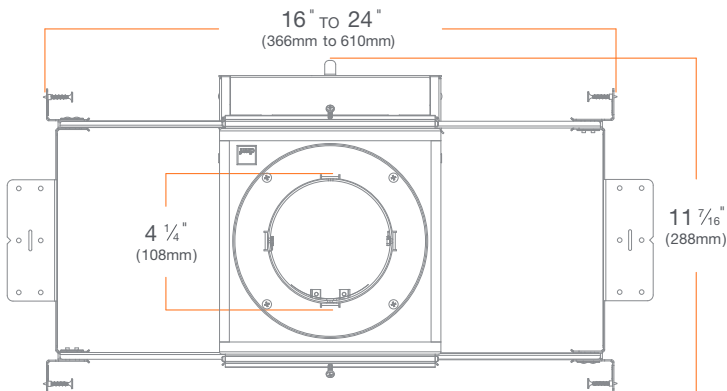
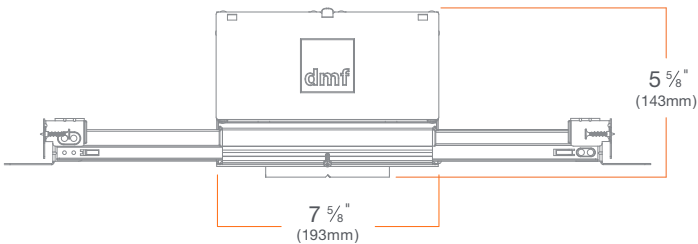
MOUNTING: Adjustable Bar Hanger for 16" to 24" joist spacing. Compatible with traditional joists, Armstrong™ ceiling, Hat Channel and T-bar

CEILING: 1/2" to 2"

CUTOUT: 4 1/4" (108mm) round opening

LISTINGS: ASTM E283 certified Air Tight, IC (Insulation Contact) up to R-32 for Roll, Batt, and Loose Fill, up to R-60 Spray Foam with standard trims, up to R-32 Spray Foam with other trims or Hex Louver

WARRANTY: 5 year limited warranty



HOUSING



M Series

Remodel

M4RMRS (Standard)

M4RMRF (Fire Rated)

SUMMARY

JUNCTION BOX: Equipped with 8 knockouts: two 1/2" and two 3/4" trade size knockouts on top, four romex knockouts on top. Approved for 8 (four in, four out) #12 AWG 70°C.

MOUNTING: Pre-installed mounting spring clips

CEILING: 5/8" up to 1 1/4"

CUTOUT: Standard Version : 4 3/8" (111mm) round opening

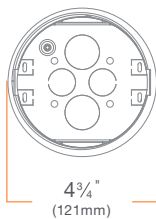
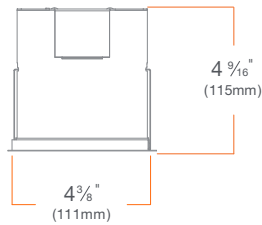
Fire Rated Version : 4 1/2" (114mm) round opening

LISTINGS: Metallic outlet box certified UL514A, code compliant for use in appropriate fire-rated assemblies for up to 2-hours (Fire Rated only), STC/IIC Sound Rated, ASTM E283 certified Air Tight, IC (Insulation Contact) rated

WARRANTY: 5 year limited warranty

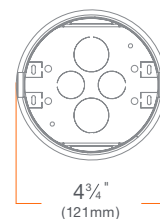
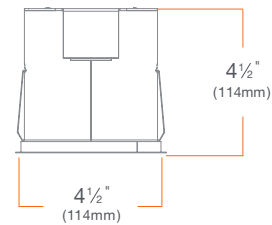
Standard

M4RMRS



Fire Rated

M4RMRF



HOUSING



M Series

Concrete Construction

M4CC

SUMMARY

JUNCTION BOX: Equipped with (4) trade size concentric knockouts (3/4" + 1/2") to allow straight conduit runs. Approved for 8 (four in, four out) #12 AWG 90°C.

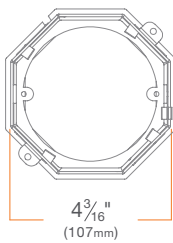
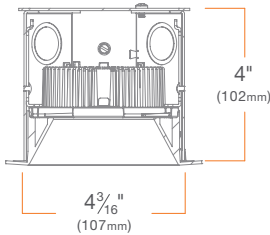
MOUNTING: (2) external tabs for wood, steel or concrete mounting

COVER: Removable top cover for easy access to electrical wiring work prior to concrete pour

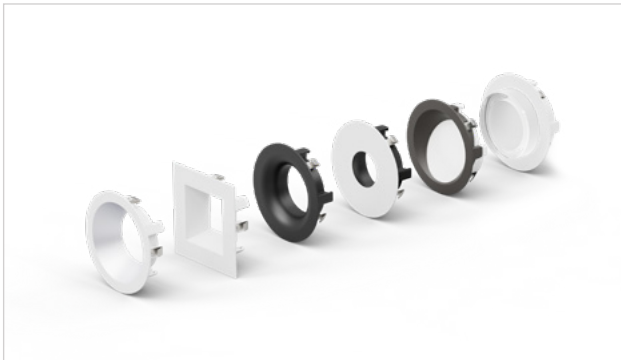
APPLICATION: Poured deck (floor) high-rise new construction

LISTINGS: Metallic outlet box certified UL514A, concrete tight, code compliant for use in appropriate fire-rated assemblies for up to 2-hours, STC/IIC Sound Rated, ASTM E283 certified Air Tight

WARRANTY: 5 year limited warranty



TRIMS



M Series

4" Round Trims

M4TR

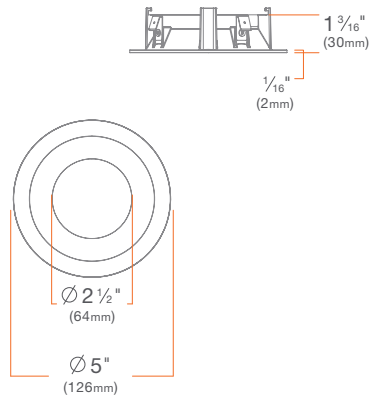
SUMMARY

CONSTRUCTION: Die-cast aluminum

INSTALLATION: Twist & Lock

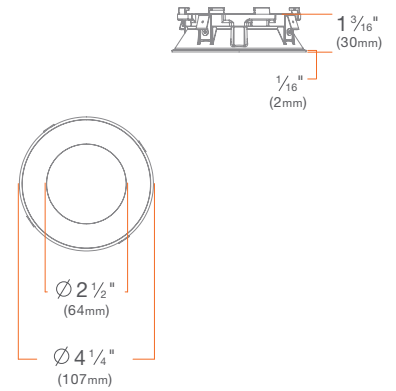
Standard

M4TRSWH



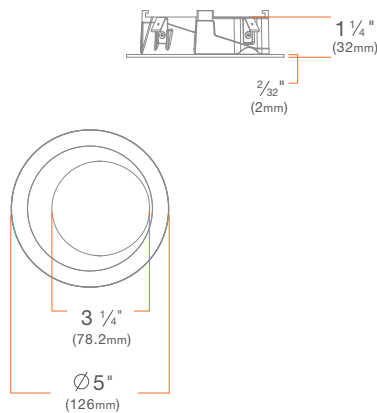
Standard Flangeless

M4TRSWHFL



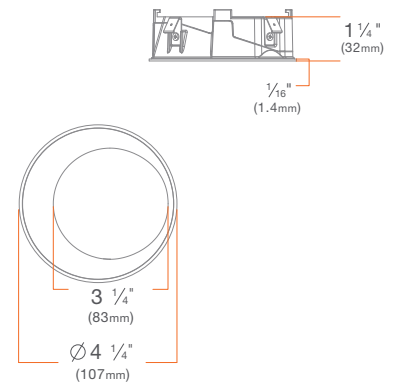
Wall Wash/Sloped Ceiling

M4TRLWH



Wall Wash/Sloped Ceiling Flangeless

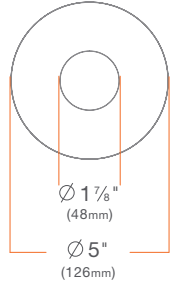
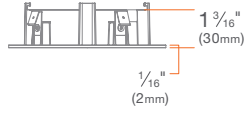
M4TRLWHFL



TRIMS

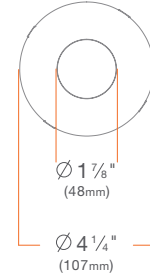
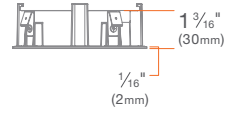
Pinhole

M4TRPWH



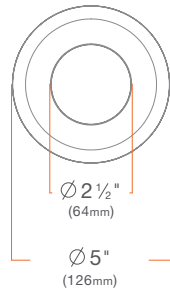
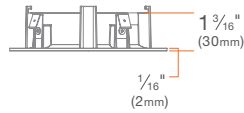
Pinhole Flangeless

M4TRPWHFL



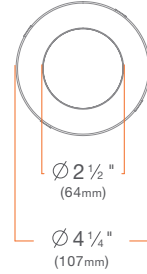
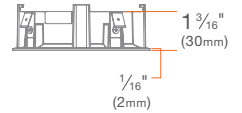
Hyperbolic Trim

M4TRHWH



Hyperbolic Flangeless

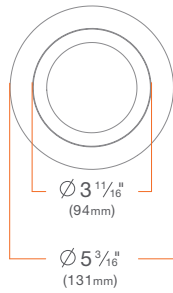
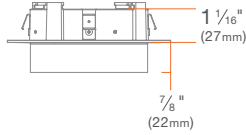
M4TRHWHFL



TRIMS

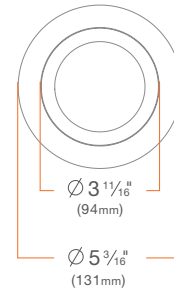
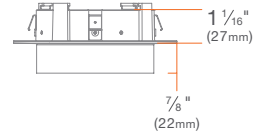
Decorative Closed

- Frosted: **M4TRSWHDCF**
- Clear, Frosted Inside: **M4TRSWHDCC**
- Clear, Frosted Sides: **M4TRSWHDCCF**



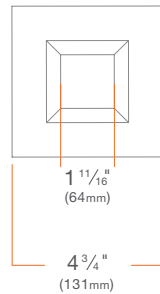
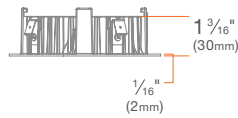
Decorative Open

- Frosted: **M4TRSWHDOF**



Square Conversion

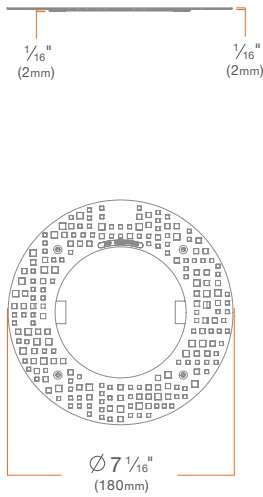
- M4TRCWH**



ACCESSORIES

Flangeless Mud Plate

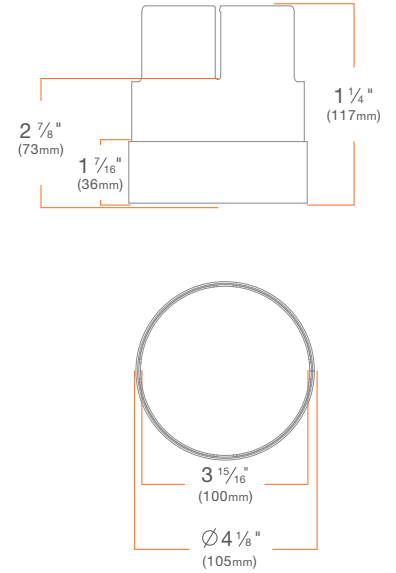
M4XRMUD



Extension Collar

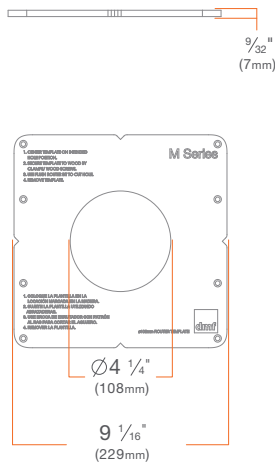
* For use with Standard New Construction Only

M4CREXT



Router Template

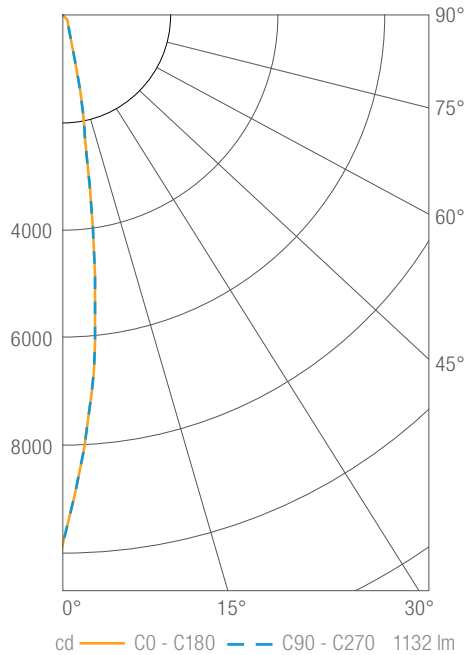
M4KRTEMPLATE



PHOTOMETRY

ART4D 1000 lm, 3000K, Narrow Spot

ART4D10930NS



Luminous Intensity

Gamma	C 0°
0°	9823
5°	6600
10°	2335
15°	734
20°	357
25°	244
30°	195
35°	159
40°	116
45°	85
50°	61
55°	42
60°	28
65°	16
70°	7
75°	4
80°	2
85°	1
90°	0

Values in candela

Zonal Lumen Summary

Zone	Lumens	Luminaire %
0-30	906	80
0-40	1004	89
0-60	1110	98
0-90	1131	100
0-180	1132	100

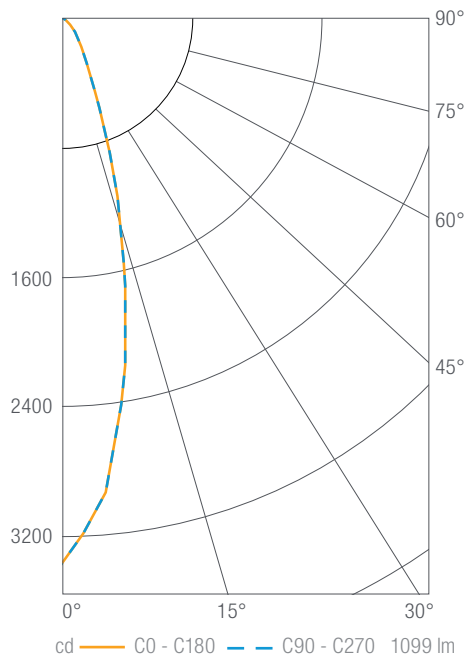
Illuminance Chart

Distance from LED	Foot Candles	Diameter
3'	1091	0.7'
6'	273	1.5'
9'	121	2.2'
12'	68	2.9'

Beam Angle: 14°

ART4D 1000 lm, 3000K, Spot

ART4DM10930SP



Luminous Intensity

Gamma	C 0°
0°	3366
5°	2967
10°	2203
15°	1391
20°	775
25°	419
30°	248
35°	167
40°	119
45°	87
50°	62
55°	43
60°	26
65°	15
70°	7
75°	4
80°	2
85°	1
90°	0

Values in candela

Zonal Lumen Summary

Zone	Lumens	Luminaire %
0-30	862	78
0-40	971	88
0-60	1078	98
0-90	1098	100
0-180	1099	100

Illuminance Chart

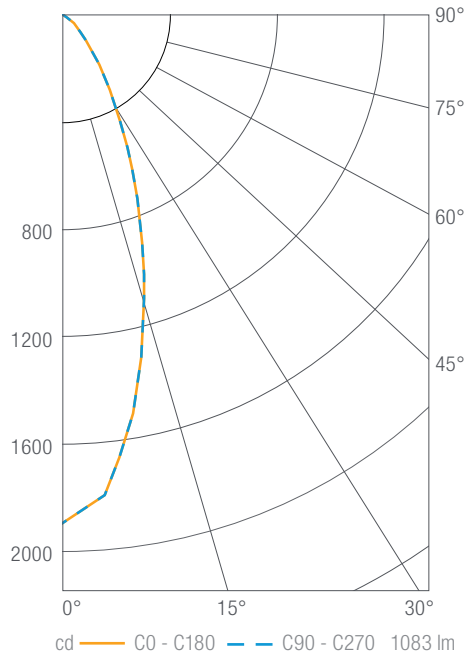
Distance from LED	Foot Candles	Diameter
3'	374	1.4'
6'	93	2.8'
9'	42	4.2'
12'	23	5.6'

Beam Angle: 26°

PHOTOMETRY

ART4D 1000 lm, 3000K, Flood

ART4DM10930FL



Luminous Intensity

Gamma	C 0°
0°	1890
5°	1792
10°	1503
15°	1161
20°	849
25°	589
30°	391
35°	256
40°	162
45°	107
50°	74
55°	51
60°	30
65°	18
70°	8
75°	5
80°	3
85°	1
90°	0

Values in candela

Zonal Lumen Summary

Zone	Lumens	Luminaire %
0-30	760	70
0-40	925	85
0-60	1058	98
0-90	1081	100
0-180	1083	100

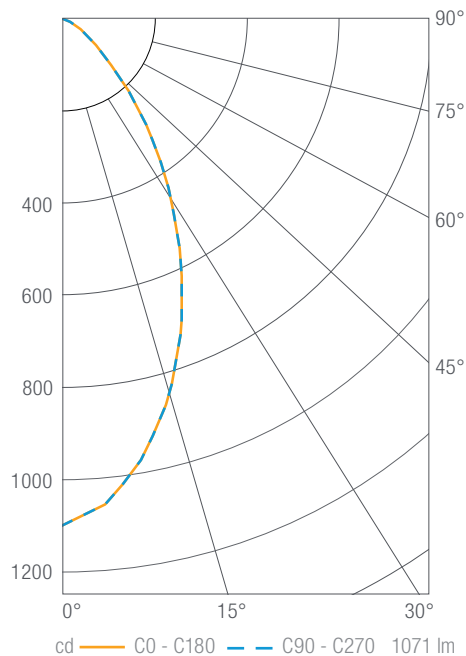
Illuminance Chart

Distance from LED	Foot Candles	Diameter
3'	210	2.0'
6'	52	4.0'
9'	23	6.0'
12'	13	8.0'

Beam Angle: 37°

ART4D 1000 lm, 3000K, Wide Flood

ART4DM10930WF



Luminous Intensity

Gamma	C 0°
0°	1100
5°	1058
10°	973
15°	866
20°	743
25°	609
30°	478
35°	361
40°	252
45°	161
50°	102
55°	68
60°	41
65°	24
70°	11
75°	6
80°	4
85°	2
90°	0

Values in candela

Zonal Lumen Summary

Zone	Lumens	Luminaire %
0-30	620	58
0-40	845	79
0-60	1037	97
0-90	1069	100
0-180	1071	100

Illuminance Chart

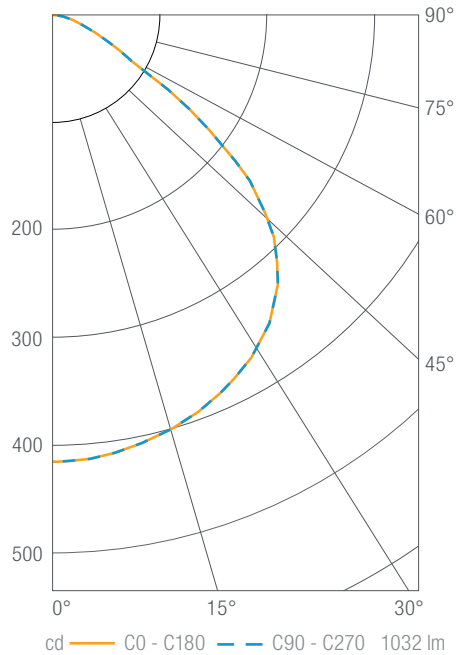
Distance from LED	Foot Candles	Diameter
3'	122	3.1'
6'	31	6.2'
9'	14	9.3'
12'	8	12.3'

Beam Angle: 55°

PHOTOMETRY

ART4D 1000 lm, 3000K, General Ambient

ART4DM10930GA



Luminous Intensity

Gamma	C 0°
0°	416
5°	415
10°	410
15°	403
20°	394
25°	382
30°	369
35°	351
40°	327
45°	291
50°	240
55°	162
60°	84
65°	54
70°	33
75°	21
80°	12
85°	6
90°	1

Values in candela

Zonal Lumen Summary

Zone	Lumens	Luminaire %
0-30	333	32
0-40	557	54
0-60	942	91
0-90	1024	99
0-180	1032	100

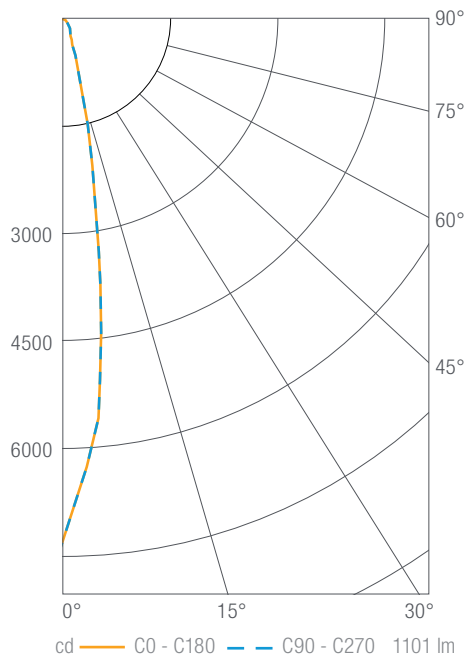
Illuminance Chart

Distance from LED	Foot Candles	Diameter
3'	46	7.8'
6'	12	15.5'
9'	5	23.3'
12'	3	31.1'

Beam Angle: 100°

ART4D 1000 lm, 3000K, Soft Focus

ART4DM10930SF



Luminous Intensity

Gamma	C 0°
0°	7280
5°	5603
10°	2489
15°	875
20°	381
25°	247
30°	194
35°	161
40°	122
45°	90
50°	64
55°	45
60°	28
65°	16
70°	7
75°	4
80°	2
85°	1
90°	0

Values in candela

Zonal Lumen Summary

Zone	Lumens	Luminaire %
0-30	868	79
0-40	968	88
0-60	1078	98
0-90	1100	100
0-180	1101	100

Illuminance Chart

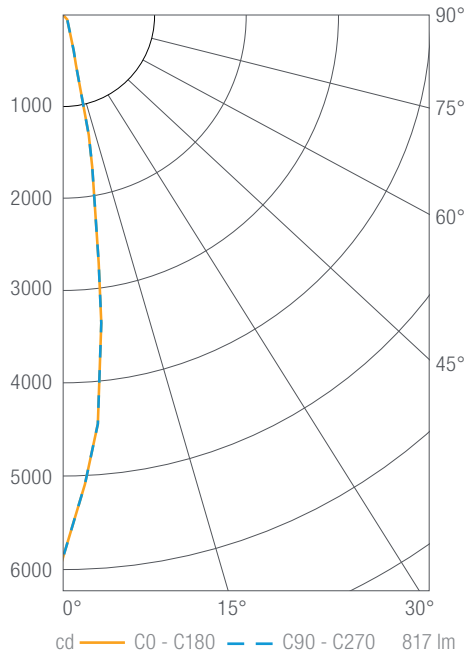
Distance from LED	Foot Candles	Diameter
3'	809	0.9'
6'	202	1.7'
9'	90	2.6'
12'	51	3.4'

Beam Angle: 16°

PHOTOMETRY

ART4A 750 lm, 3000K, Narrow Spot

ART4AM07930NS



Luminous Intensity

Gamma	C 0°
0°	5897
5°	4418
10°	1911
15°	561
20°	280
25°	165
30°	117
35°	87
40°	69
45°	57
50°	47
55°	38
60°	31
65°	23
70°	16
75°	10
80°	4
85°	1
90°	0

Values in candela

Zonal Lumen Summary

Zone	Lumens	Luminaire %
0-30	645	79
0-40	701	86
0-60	781	96
0-90	817	100
0-180	817	100

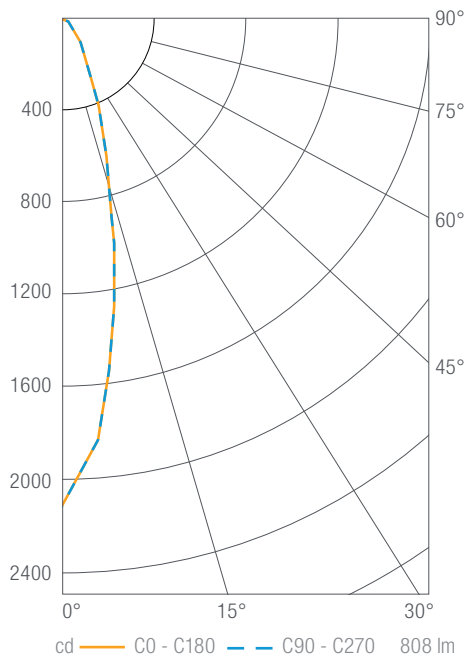
Illuminance Chart

Distance from LED	Foot Candles	Diameter
3'	655	0.8'
6'	164	1.7'
9'	73	2.5'
12'	41	3.3'

Beam Angle: 16°

ART4A 750 lm, 3000K, Spot

ART4AM07930SP



Luminous Intensity

Gamma	C 0°
0°	2105
5°	1826
10°	1282
15°	800
20°	497
25°	310
30°	201
35°	137
40°	98
45°	73
50°	57
55°	45
60°	35
65°	23
70°	12
75°	5
80°	3
85°	2
90°	0

Values in candela

Zonal Lumen Summary

Zone	Lumens	Luminaire %
0-30	573	71
0-40	668	83
0-60	773	96
0-90	808	100
0-180	808	100

Illuminance Chart

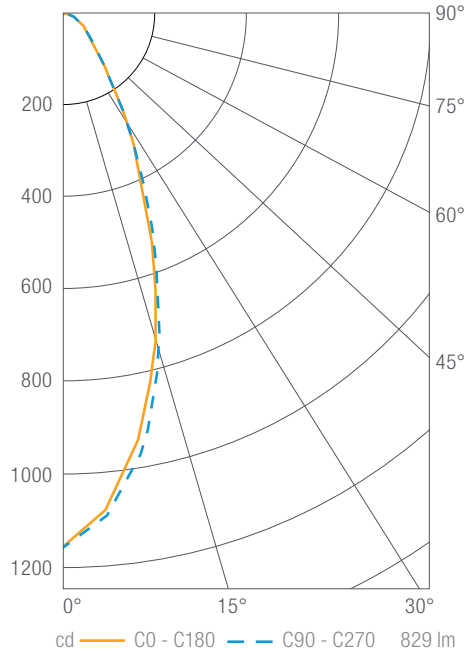
Distance from LED	Foot Candles	Diameter
3'	234	1.3'
6'	58	2.6'
9'	26	3.9'
12'	15	5.2'

Beam Angle: 28°

PHOTOMETRY

ART4A 750 lm, 3000K, Flood

ART4AM07930FL



Luminous Intensity

Gamma	C 0°
0°	1158
5°	1081
10°	941
15°	765
20°	576
25°	414
30°	288
35°	192
40°	130
45°	96
50°	76
55°	61
60°	49
65°	38
70°	28
75°	18
80°	10
85°	4
90°	0

Values in candela

Zonal Lumen Summary

Zone	Lumens	Luminaire %
0-30	510	62
0-40	633	76
0-60	766	92
0-90	829	100
0-180	829	100

Illuminance Chart

Distance from LED	Foot Candles	Diameter
3'	129	2.2'
6'	32	4.5'
9'	14	6.7'
12'	8	9.0'

Beam Angle: 41°