

Project:	Type:
Product Code:	Date:

V011725



4" Round Adjustable

HIGH PERFORMANCE Produces up to 1000 lumens of True Spectrum™ lighting for natural, true-to-life colors without sacrificing stellar efficiency

PRECISE CONTROL Field-changeable light distribution ranging from 15° to 90°+

DIM TO DARK Smooth, flicker-free dimming down to 0.1% with centralized or local control

FAST INSTALL Integrated driver, plug-and-play connection, and Twist & Lock Trims

MODULAR DESIGN Flexibility during and after installation with interchangeable modules, optics and trims

INSTALLATION

Ceiling Thickness

New Construction: 1/2" up to 1 3/4"
 Spray Foam: 1/2" up to 2"
 Standard Remodel: 1/2" up to 1 1/4"
 Fire Rated Remodel: 5/8" up to 1 1/4"
 Low Profile: 1/2" up to 1 1/4"

Ceiling Material

Drywall, Millwork, Concrete

TRIMS

Aperture

4"

Shape

Round

Style

Standard, Hyperbolic, Pinhole, Flangeless

Finish

White, Black, Bronze, Clear Diffuse, Custom Color (RAL Color)

LIGHT OUTPUT & DISTRIBUTION

Module

Adjustable

Adjustment

360° direction aim, 45° tilt

Lumens (Power)

750 lm (9.0W), 1000 lm (12.5W)

Color Quality

True Spectrum™, 2-step SDCM

Color Temperature

2700K 3000K 3500K
 4000K Warm Dim (3000K–1800K)
 Tunable White (4000K–1800K) Tunable White (6500K–2700K)

Beam Spread

15° Narrow Spot Soft Focus
 25° Spot 60° x 30° Linear Spread
 40° Flood

Specialty Lens

Hexcell Louver

POWER & CONTROLS

Input Voltage

120 / 277V

Dimming

TRIAC/ELV (1%), DALI-2 (0.1%)

RATINGS & CERTIFICATIONS

- IC (Insulation Contact) Rated
- ASTM E283 Certified Air Tight
- Code compliant for use in fire-rated assemblies up to a maximum of 2-hours
- STC/IIC Sound Rated
- Chicago Plenum
- RoHS Compliant
- UL Listed for Damp Location (Covered areas only)
- NSF Listed (White and Black Finish Only)

WARRANTY

10 year limited warranty; 50,000 hours



PRODUCT BUILDER

M SERIES HOUSING

PRODUCT CODE		APPLICATION		SHAPE		RATING	
M4				R			
M4	4" Housing	NC	New Construction	R	Round ⁴	S	Standard ⁴
		CP	Chicago Plenum ¹			F	Fire Rated ⁴
		LT	Low Profile, TRIAC/ELV (3" Plenum) ²				
		DH	Double Housing ^{1,3}				
		RM	Remodel				
		CC	Concrete Construction ²				

¹ Only available in Standard rating

³ Only available for 750 lm or 1000 lm

² Not available for 1500 lm

⁴ Not available for Concrete Construction installation

ARTAFEX 4" ADJUSTABLE MODULE

PRODUCT CODE		LUMENS		CRI		CCT		BEAM SPREAD		FINISH		DIMMING	
ART4A				T									
ART4A	Adjustable	07	750 lm	T	True Spectrum™	27	2700K	NS	Narrow Spot (15°) ^{7,8}	[Blank]	Black	T	TRIAC/ELV
		10	1000 lm			30	3000K	SP	Spot (25°)	W	White	D	DALI-2 ¹⁰
						35	3500K	FL	Flood (40°)				
						40	4000K	LS	Linear Spread				
						3W	Warm Dim ⁵ (3000K– 1800K)	SF	Soft Focus ⁸				
						T1	Tunable White ⁶ (4000K– 1800K)	NH	Narrow Spot w/ Hex Louver ^{7,8,9}				
								SH	Spot w/ Hex Louver ⁹				
								FH	Flood w/ Hex Louver ⁹				

⁵ Only available in 1000 lm

⁹ Not available for DALI-2

⁶ Only available in 750 lm for DALI-2

¹⁰ Only available in 750 lm for Tunable White and 1000 lm for Warm Dim or static CCT

⁷ Not available in Warm Dim or Tunable White

⁸ Only available in 750 lm

PRODUCT BUILDER

M SERIES TRIM

PRODUCT CODE		FINISH		OPTION	
M4TRS	Standard	WH	White	[Blank]	None
M4TRH	Hyperbolic ¹⁰	BK	Black	FL	Flangeless ¹³
M4TRP	Pinhole ^{10,11}	BZ	Bronze		
M4TRL	Wall Wash/Sloped Ceiling ¹²	CW	Clear Diffuse, White Flange		
		CC	Custom Color (RAL Colors)		

M4XRMUD	Flangeless Mud Plate <i>(Required for Flangeless Trim drywall installation)</i>
M4KRTEMPLATE	Router Template <i>(Recommended for wood installation)</i>
M4CREXT	Extension Collar <i>(For ceiling install up to 3")</i> ¹⁴

¹⁰ Only available in White, Black or Custom Color finish

¹¹ Only available for 750 lm or 1000 lm

¹² Recommended with GA Beam Spread for General Wallwashing and SP Beam Spread for Sloped Ceiling; Not available in Bronze finish

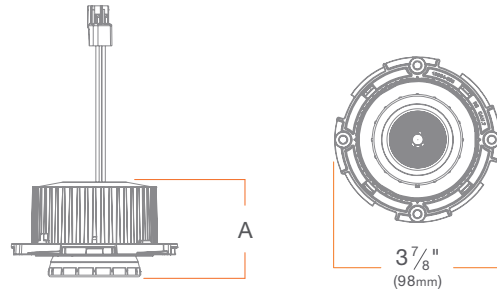
¹³ Not available in Clear Diffuse finish; Not available for Decorative option, Concrete Construction or Remodel Housing; Mudplate is required for all FL trims except for wood ceiling applications

¹⁴ Only available in Standard rating

OPTICS ACCESSORIES

PRODUCT CODE	
DID4X-NS	Adjustable Narrow Spot (15°)
DID4X-SP	Adjustable Spot (25°)
DID4X-FL	Adjustable Flood (40°)
DID4X-LS	Adjustable Linear Spread (60° x 30°)
DID4X-SF	Adjustable Soft Focus
DID4X-OP	Adjustable Optics Kit: Narrow Spot (15°), Spot (25°), Flood (40°), Linear Spread (60° x 30°), Soft Focus

ADJUSTABLE MODULE



Measurements

	A
Standard	2 3/8" [60 mm]
DALI-2	2 1/2" [64 mm]

SUMMARY

	STANDARD STATIC CCT	WARM DIM	TUNABLE WHITE
CCT	2700K, 3000K, 3500K, 4000K	3000K - 1800K	4000K - 1800K
LUMENS (POWER)	750 lm (9.7W), 1000 lm (12.0W)	1000 lm (12.0W)	750 lm (12.5W)
EFFICACY	77 lm/W, 83 lm/W	83 lm/W	60 lm/W
COLOR QUALITY	True Spectrum™ 98 CRI, 2-step SDCM	True Spectrum™ 93 CRI, 2-step SDCM	True Spectrum™ 93 CRI, 2-step SDCM
DIMMING	TRIAC/ELV ¹ , DALI-2	TRIAC/ELV ¹ , DALI-2	DALI-2
LED CHIP	Cree Pro 9	Bridgelux	Bridgelux
BEAM SPREAD	Narrow Spot (15°), Spot (25°), Flood (40°), Linear Spread (60° x 30°), Soft Focus	Spot (25°), Flood (40°), Linear Spread (60° x 30°), Soft Focus	Spot (25°), Flood (40°), Linear Spread (60° x 30°), Soft Focus
LISTINGS	ENERGY STAR® qualified ² , California Title 24 2016-2022 JA8-E compliant, UL Listed for Damp Location, UL Certified US-CA, Declare, RoHS compliant, NSF/ANSI 2 listed, suitable for splash-zone ³ , DALI-2 Compliant, Dark Sky Compliant ⁴		
ADJUSTMENT	360° directional aim, 45° tilt		
SLOPE CEILING COMPATIBILITY	Up to 45°		

¹ Dimming at 120V only

² Refer to ENERGY STAR Certified light fixtures database

³ This product is evaluated in accordance to NSF/ANSI 2 for Splash Zone having designated trim finishes

⁴ DarkSky Approved is only applicable to CCT Options less than or equal to 3000K

ADDITIONAL

INPUT VOLTAGE: 120/277V, 50/60Hz

MAX INPUT CURRENT (120V): 0.13 amps

MAX INPUT CURRENT (277V): 0.065 amps

CONNECTOR: PowerPlug® Luminaire Disconnect Model 182, 6-pin Molex

POWER FACTOR: Greater than 0.9

TOTAL HARMONIC DISTORTION: Less than 20%

AMBIENT OPERATING TEMPERATURE: -20°C to 40°C

WARRANTY: 10 year limited warranty; 50,000 hours at 70% lumen maintenance

HOUSING



M Series

New Construction

SUMMARY

JUNCTION BOX: Equipped with 10 knockouts: two 1/2" and two 3/4" trade size knockouts on top, two 1/2" trade size knockouts on side, four romex knockouts on top. Approved for 8 (four in, four out) #12 AWG 70°C.

MOUNTING: Pre-installed mounting brackets allow vertical adjustment of bar hangers up to 1 1/4".

CEILING: 1/2" up to 1 3/4"

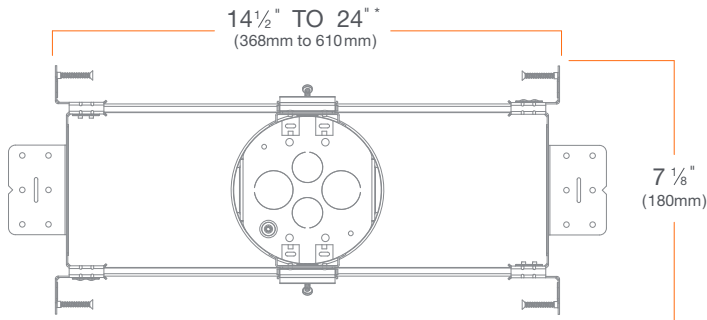
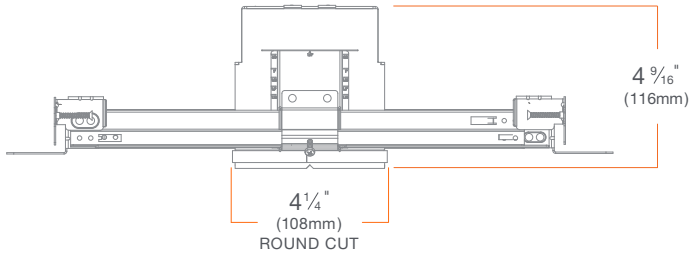
CUTOUT: 4 1/4" (108mm) round opening

LISTINGS: Metallic outlet box certified UL514A, code compliant for use in appropriate fire-rated assemblies for up to 2-hours (Fire Rated only), STC/IIC Sound Rated, ASTM E283 certified Air Tight, IC (Insulation Contact) rated

WARRANTY: 5 year limited warranty

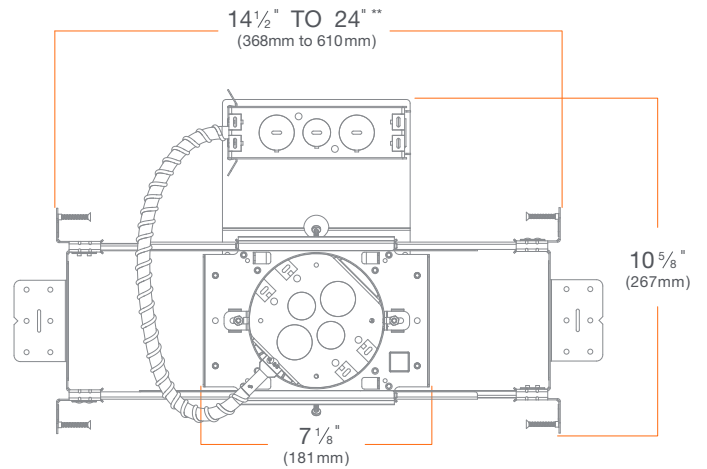
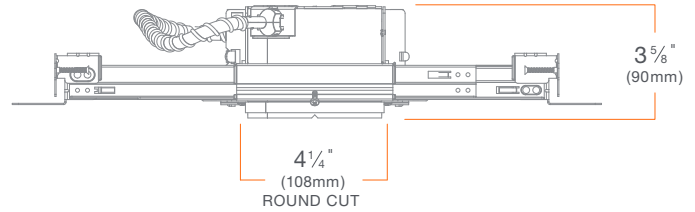
New Construction

- M4NCRS (Standard)
- M4NCRF (Fire Rated)
- M4CPRS (Chicago Plenum)



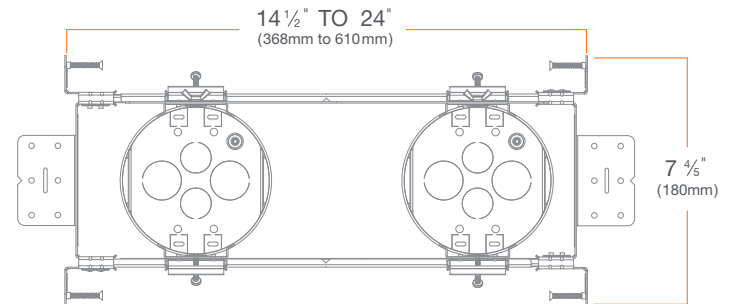
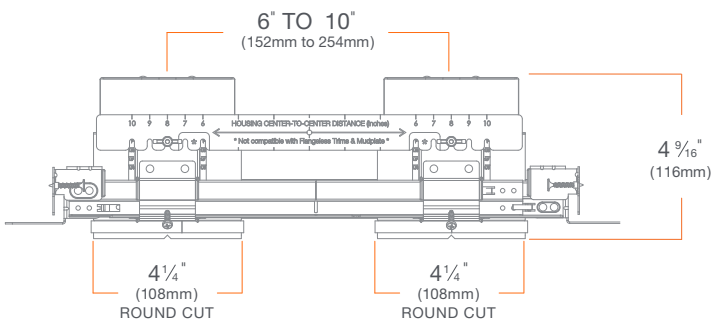
Low-Profile

- M4LTRS (Standard)
- M4LTRF (Fire Rated)



Double Housing

- M4DHRS



* Can be field cut to minimum 7 1/2" (191mm)

** Can be field cut to minimum 9" (229mm)

HOUSING



Spray Foam

M4SFRS

SUMMARY

JUNCTION BOX: Equipped with six knockouts: four 1/2" trade size knockouts, two 3/4" trade size knockouts, and four romex knockouts. Approved for 8 (four in, four out) #12 AWG 70° C

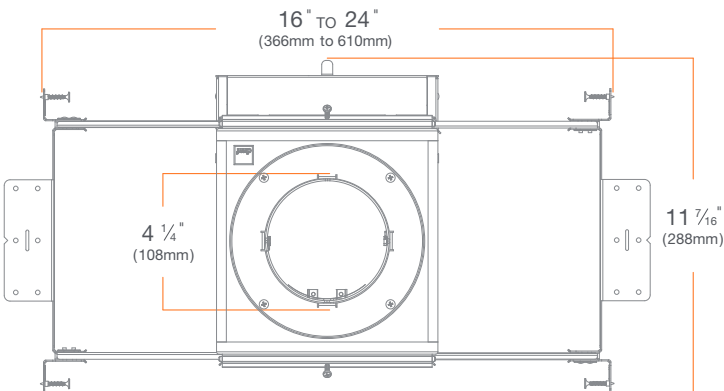
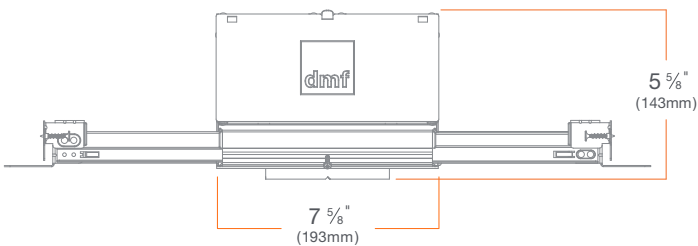
MOUNTING: Adjustable Bar Hanger for 16" to 24" joist spacing. Compatible with traditional joists, Armstrong TM ceiling, Hat Channel and T-bar

CEILING: 1/2" to 2"

CUTOUT: 4 1/4" (108mm) round opening

LISTINGS: ASTM E283 certified Air Tight, IC (Insulation Contact) up to R-32 for Roll, Batt, and Loose Fill, up to R-60 Spray Foam with standard trims, up to R-32 Spray Foam with other trims or Hex Louver

WARRANTY: 5 year limited warranty



HOUSING



M Series

Remodel

M4RMRS (Standard)

M4RMRF (Fire Rated)

SUMMARY

JUNCTION BOX: Equipped with 8 knockouts: two 1/2" and two 3/4" trade size knockouts on top, four romex knockouts on top. Approved for 8 (four in, four out) #12 AWG 70°C.

MOUNTING: Pre-installed mounting spring clips

CEILING: 5/8" up to 1 1/4"

CUTOUT: Standard Version : 4 3/8" (111mm) round opening

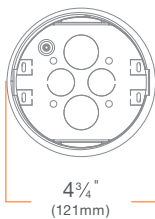
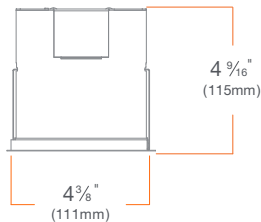
Fire Rated Version : 4 1/2" (114mm) round opening

LISTINGS: Metallic outlet box certified UL514A, code compliant for use in appropriate fire-rated assemblies for up to 2-hours (Fire Rated only), STC/IIC Sound Rated, ASTM E283 certified Air Tight, IC (Insulation Contact) rated

WARRANTY: 5 year limited warranty

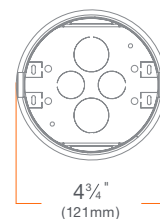
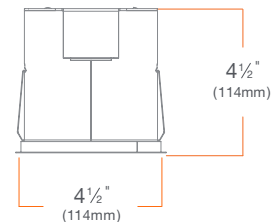
Standard

M4RMRS



Fire Rated

M4RMRF



HOUSING



M Series

Concrete Construction

M4CC

SUMMARY

JUNCTION BOX: Equipped with (4) trade size concentric knockouts (3/4" + 1/2") to allow straight conduit runs. Approved for 8 (four in, four out) #12 AWG 90°C.

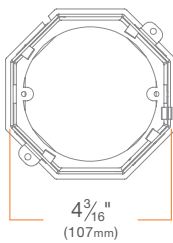
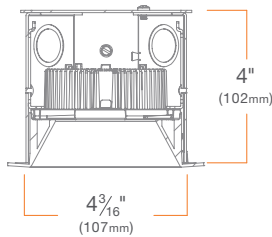
MOUNTING: (2) external tabs for wood, steel or concrete mounting

COVER: Removable top cover for easy access to electrical wiring work prior to concrete pour

APPLICATION: Poured deck (floor) high-rise new construction

LISTINGS: Metallic outlet box certified UL514A, concrete tight, code compliant for use in appropriate fire-rated assemblies for up to 2-hours, STC/IIC Sound Rated, ASTM E283 certified Air Tight

WARRANTY: 5 year limited warranty



TRIMS



M Series

4" Round Trims

M4TR

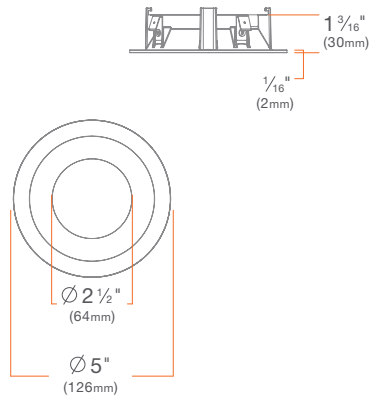
SUMMARY

CONSTRUCTION: Die-cast aluminum

INSTALLATION: Twist & Lock

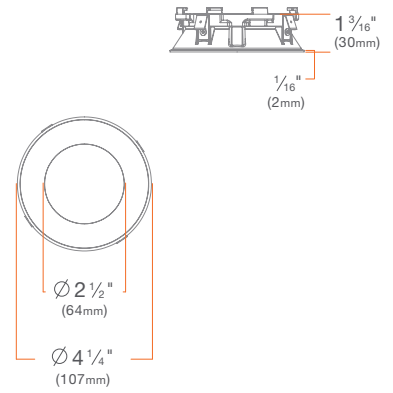
Standard

M4TRSWH



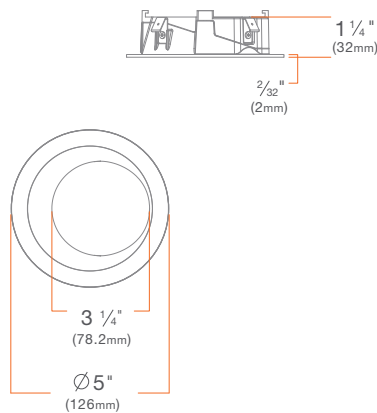
Standard Flangeless

M4TRSWHFL



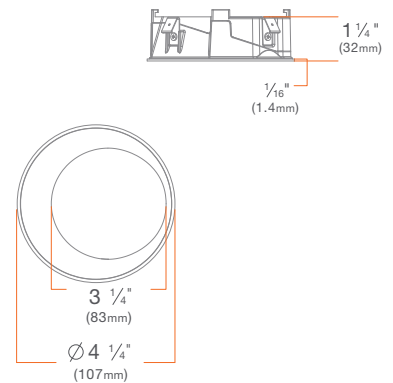
Wall Wash/Sloped Ceiling

M4TRLWH



Wall Wash/Sloped Ceiling Flangeless

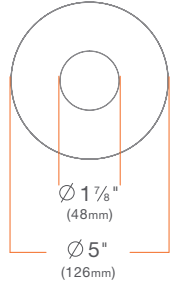
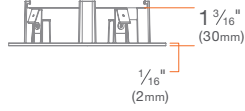
M4TRLWHFL



TRIMS

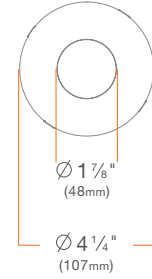
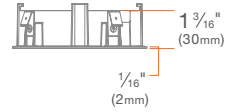
Pinhole

M4TRPWH



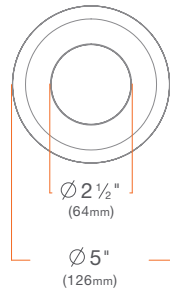
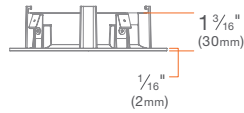
Pinhole Flangeless

M4TRPWHFL



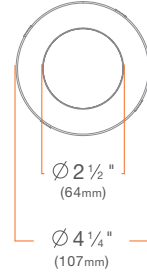
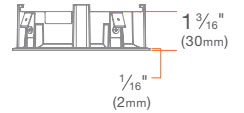
Hyperbolic Trim

M4TRHWH



Hyperbolic Flangeless

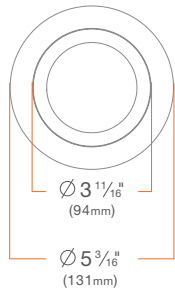
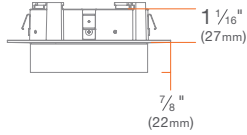
M4TRHWHFL



TRIMS

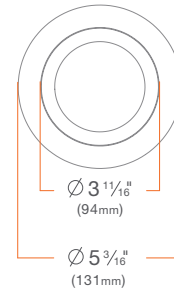
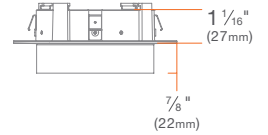
Decorative Closed

- Frosted: **M4TRSWHDCF**
- Clear, Frosted Inside: **M4TRSWHDCC**
- Clear, Frosted Sides: **M4TRSWHDCCF**



Decorative Open

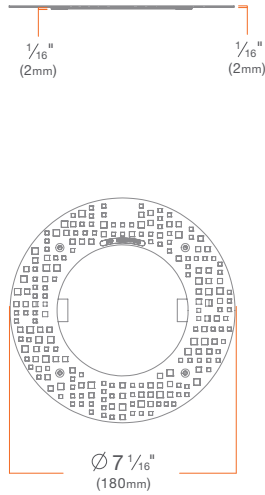
- Frosted: **M4TRSWHDOF**



ACCESSORIES

Flangeless Mud Plate

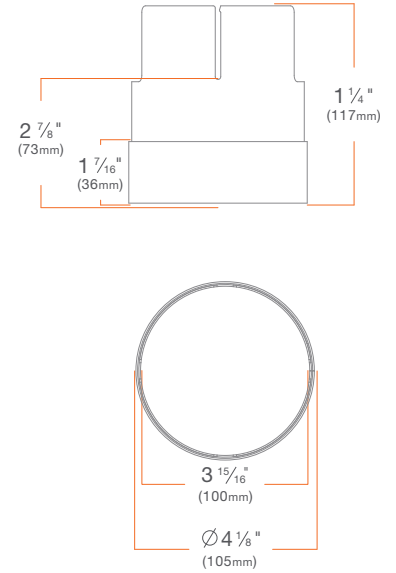
M4XRMUD



Extension Collar

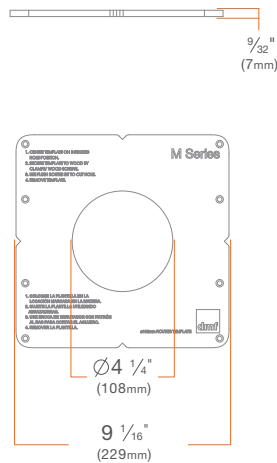
* For use with Standard New Construction Only

M4CREXT



Router Template

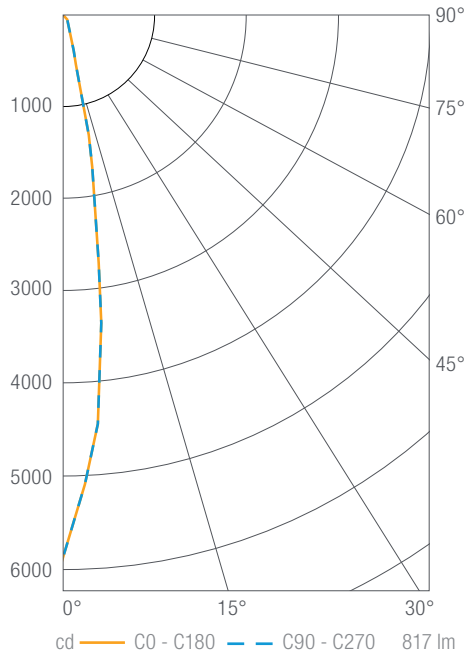
M4KRTEMPLATE



PHOTOMETRY

ART4A 750 lm, 3000K, Narrow Spot

ART4AM07930NS



Luminous Intensity

Gamma	C 0°
0°	5897
5°	4418
10°	1911
15°	561
20°	280
25°	165
30°	117
35°	87
40°	69
45°	57
50°	47
55°	38
60°	31
65°	23
70°	16
75°	10
80°	4
85°	1
90°	0

Values in candela

Zonal Lumen Summary

Zone	Lumens	Luminaire %
0-30	645	79
0-40	701	86
0-60	781	96
0-90	817	100
0-180	817	100

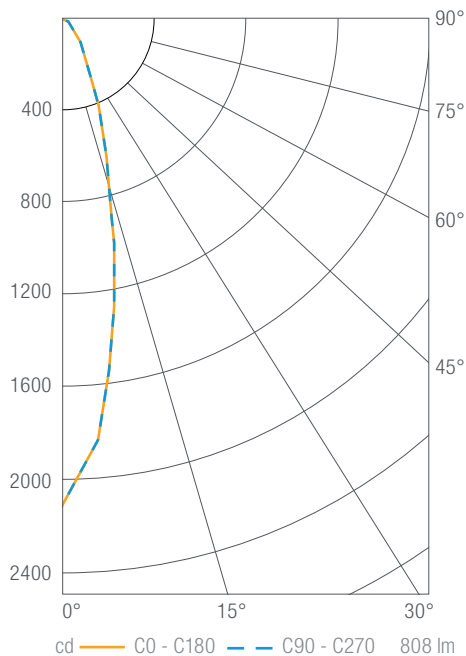
Illuminance Chart

Distance from LED	Foot Candles	Diameter
3'	655	0.8'
6'	164	1.7'
9'	73	2.5'
12'	41	3.3'

Beam Angle: 16°

ART4A 750 lm, 3000K, Spot

ART4AM07930SP



Luminous Intensity

Gamma	C 0°
0°	2105
5°	1826
10°	1282
15°	800
20°	497
25°	310
30°	201
35°	137
40°	98
45°	73
50°	57
55°	45
60°	35
65°	23
70°	12
75°	5
80°	3
85°	2
90°	0

Values in candela

Zonal Lumen Summary

Zone	Lumens	Luminaire %
0-30	573	71
0-40	668	83
0-60	773	96
0-90	808	100
0-180	808	100

Illuminance Chart

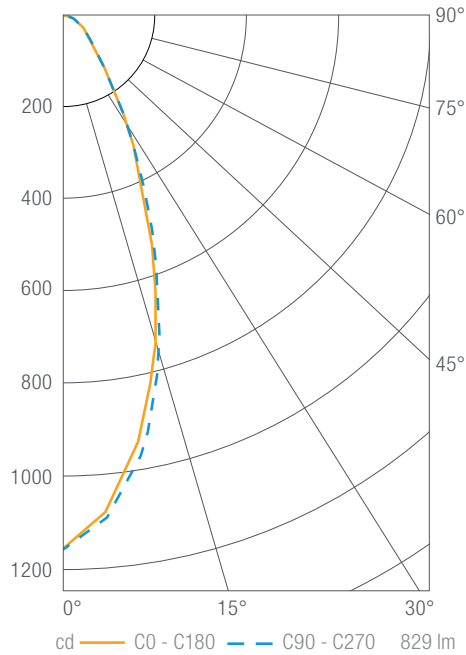
Distance from LED	Foot Candles	Diameter
3'	234	1.3'
6'	58	2.6'
9'	26	3.9'
12'	15	5.2'

Beam Angle: 28°

PHOTOMETRY

ART4A 750 lm, 3000K, Flood

ART4AM07930FL



Luminous Intensity

Gamma	C 0°
0°	1158
5°	1081
10°	941
15°	765
20°	576
25°	414
30°	288
35°	192
40°	130
45°	96
50°	76
55°	61
60°	49
65°	38
70°	28
75°	18
80°	10
85°	4
90°	0

Values in candela

Zonal Lumen Summary

Zone	Lumens	Luminaire %
0-30	510	62
0-40	633	76
0-60	766	92
0-90	829	100
0-180	829	100

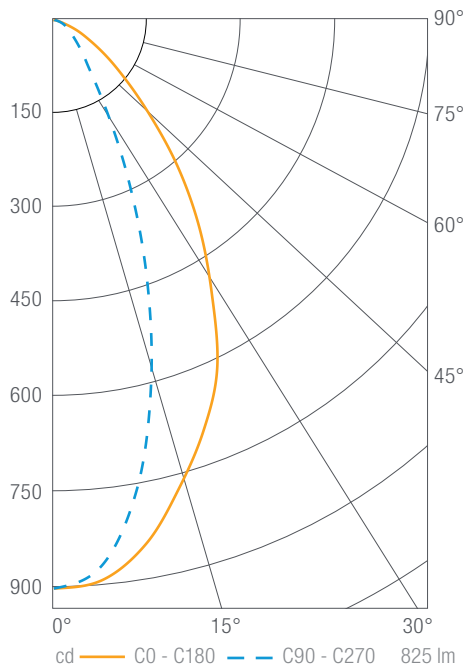
Illuminance Chart

Distance from LED	Foot Candles	Diameter
3'	129	2.2'
6'	32	4.5'
9'	14	6.7'
12'	8	9.0'

Beam Angle: 41°

ART4A 750 lm, 3000K, Linear Spread

ART4AM07930LS



Luminous Intensity

Gamma	C 0°
0°	895
5°	885
10°	838
15°	763
20°	689
25°	608
30°	497
35°	399
40°	305
45°	216
50°	150
55°	103
60°	66
65°	41
70°	17
75°	4
80°	1
85°	1
90°	0

Zonal Lumen Summary

Zone	Lumens	Luminaire %
0-30	468	57
0-40	626	76
0-60	790	96
0-90	825	100
0-180	825	100

Illuminance Chart

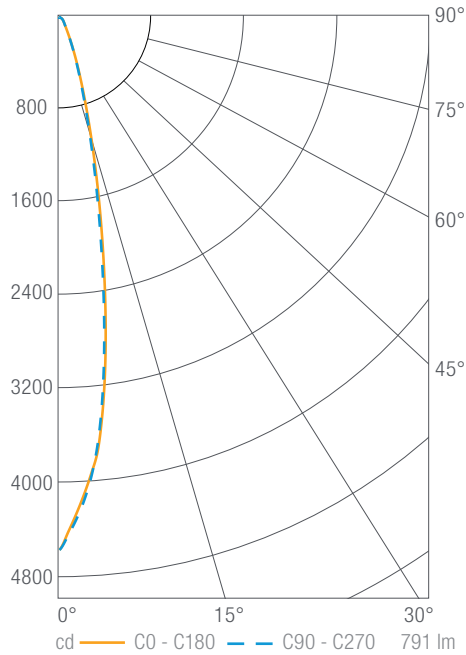
Distance from LED	Foot Candles	Diameter
3'	99.5	3.8'
6'	24.9	7.7'
9'	11.1	11.5'
12'	6.2	15.3'

Beam Angle: 38°

PHOTOMETRY

ART4A 750 lm, 3000K, Soft Focus

ART4AM07930SF



Luminous Intensity

Gamma	C 0°
0°	4451
5°	3648
10°	2150
15°	1009
20°	465
25°	227
30°	125
35°	82
40°	62
45°	49
50°	40
55°	32
60°	25
65°	17
70°	9
75°	3
80°	1
85°	1
90°	0

Values in candela

Zonal Lumen Summary

Zone	Lumens	Luminaire %
0-30	661	84
0-40	710	90
0-60	771	97
0-90	791	100
0-180	791	100

Illuminance Chart

Distance from LED	Foot Candles	Diameter
3'	495	1.0'
6'	124	2.1'
9'	55	3.1'
12'	31	4.1'

Beam Angle: 19°