

Project:	Type:
Product Code:	Date:

V042224



## 4" Round Adjustable

**HIGH PERFORMANCE** Produces up to 1000 lumens of True Spectrum™ lighting for natural, true-to-life colors without sacrificing stellar efficiency

**PRECISE CONTROL** Field-changeable light distribution ranging from 15° to 90°+

**DIM TO DARK** Smooth, flicker-free dimming down to 0.1% with centralized or local control

**FAST INSTALL** Integrated driver, plug-and-play connection, and Twist & Lock Trims

**MODULAR DESIGN** Flexibility during and after installation with interchangeable modules, optics and trims

### INSTALLATION

#### Ceiling Thickness

- New Construction: 1/2" up to 1 3/4"
- Spray Foam: 1/2" up to 2"
- Standard Remodel: 1/2" up to 1 1/4"
- Fire Rated Remodel: 5/8" up to 1 1/4"
- Low Profile: 1/2" up to 1 1/4"

#### Ceiling Material

Drywall, Millwork, Concrete

### TRIMS

#### Style

Standard, Hyperbolic, Pinhole, Wall Wash, Decorative, Flangeless

#### Finish

White, Black, Bronze, Clear Diffuse, Warm Diffuse, Custom Color

### LIGHT OUTPUT & DISTRIBUTION

#### Module

Adjustable

#### Adjustment

360° directional aim, 45° tilt

#### Lumens (Power)

750 lm (9.5W), 1000 lm (12.5W)

#### Color Quality

True Spectrum™, 2-step SDCM

#### Color Temperature

- 2700K
- 3000K
- 3500K
- 4000K
- Warm Dim (3000K–1800K)
- Tunable White (4000K–1800K)

#### Beam Spread

- 15° Narrow Spot
- 25° Spot
- 40° Flood
- 60° x 30° Linear Spread
- Soft Focus

### POWER & CONTROLS

#### Input Voltage

120 / 277V

#### Dimming

TRIAC/ELV (1%), DALI-2 (0.1%)

### RATINGS & CERTIFICATIONS

- IC (Insulation Contact) Rated
- ASTM E283 Certified Air Tight
- Chicago Plenum
- UL Listed for Wet Location (Standard Trim only)
- RoHS Compliant
- DarkSky Approved (CCT less than or equal to 3000K, non-decorative trims only)
- Code compliant for use in fire-rated assemblies up to a maximum of 2-hours
- NSF Listed (White and Black Finish Only)

### WARRANTY

10 year limited warranty; 50,000 hours



### PRODUCT BUILDER

#### HOUSING

PRODUCT CODE		APPLICATION		SHAPE		RATING	
<input type="text"/>		<input type="text"/>		<input type="text"/>		<input type="text"/>	
<b>M4</b>	4" Housing	<b>NC</b>	New Construction	<b>R</b>	Round <sup>2</sup>	<b>S</b>	Standard <sup>2</sup>
		<b>CP</b>	Chicago Plenum <sup>1</sup>			<b>F</b>	Fire Rated <sup>2</sup>
		<b>LT</b>	Low Profile, TRIAC/ELV (3" Plenum)				
		<b>DH</b>	Double Housing <sup>1</sup>				
		<b>RM</b>	Remodel				
		<b>CC</b>	Concrete Construction				
		<b>SF</b>	Spray Foam <sup>1</sup>				

<sup>1</sup> Only available in Standard rating

<sup>2</sup> Not available for Concrete Construction installation

#### 4" MODULE

PRODUCT CODE		LUMENS		COLORMETRIC		CCT		BEAM SPREAD		FINISH		DIMMING	
<input type="text"/>		<input type="text"/>		<input type="text"/>		<input type="text"/>		<input type="text"/>		<input type="text"/>		<input type="text"/>	
<b>ART4A</b>	Adjustable	<b>07</b>	750 lm <sup>3</sup>	<b>T</b>	True Spectrum™	<b>27</b>	2700K	<b>NS</b>	Narrow Spot (15°) <sup>6</sup>	<b>[Blank]</b>	Black	<b>T</b>	TRIAC/ELV
		<b>10</b>	1000 lm			<b>30</b>	3000K	<b>SP</b>	Spot (25°)	<b>W</b>	White	<b>D</b>	DALI-2 <sup>8</sup>
						<b>35</b>	3500K	<b>FL</b>	Flood (40°)				
						<b>40</b>	4000K	<b>LS</b>	Linear Spread (60° x30°)				
						<b>3W</b>	Warm Dim <sup>4</sup> (3000K– 1800K)	<b>SF</b>	Soft Focus				
						<b>T1</b>	Tunable White <sup>5</sup> (4000K– 1800K)	<b>NH</b>	Narrow Spot w/ Hex Louver <sup>6,7</sup>				
								<b>SH</b>	Spot w/ Hex Louver <sup>7</sup>				
								<b>FH</b>	Flood w/ Hex Louver <sup>7</sup>				

<sup>3</sup> Only available in Tunable White and Narrow Spot for Static CCT

<sup>6</sup> Only available in 750 lm Static CCT with TRIAC Dimming

<sup>4</sup> Only available in 1000 lm

<sup>7</sup> Not available for DALI-2

<sup>5</sup> Only available in 750 lm for DALI-2

<sup>8</sup> Only available in 750 lm Tunable White, and 1000 lm Warm Dim or static CCT

#### TRIM & ACCESSORIES

PRODUCT CODE		SHAPE		STYLE		FINISH		OPTION	
<input type="text"/>		<input type="text"/>		<input type="text"/>		<input type="text"/>		<input type="text"/>	
<b>M4T</b>	4" Trim	<b>R</b>	Round	<b>S</b>	Standard	<b>WH</b>	White	<b>[Blank]</b>	None
				<b>H</b>	Hyperbolic <sup>8</sup>	<b>BK</b>	Black	<b>FL</b>	Flangeless <sup>8,9,10</sup>
				<b>P</b>	Pinhole <sup>8</sup>	<b>BZ</b>	Bronze		
						<b>CW</b>	Clear Diffuse, White Flange		
						<b>WW</b>	Warm Diffuse, White Flange		
						<b>CC</b>	Custom Color		

<b>M4XRMUD</b>	Flangeless Mud Plate <i>(Required for flangeless drywall application)</i>
<b>M4KRTEMPLATE</b>	Wood Template <i>(Recommended for Trim wood installation)</i>
<b>M4CREXT</b>	Extension Collar <i>(for ceiling install up to 3") <sup>11</sup></i>

<sup>8</sup> Only available in White, Black, Bronze or Custom Color

<sup>10</sup> Mudplate is required for all Flangeless trims except for wood ceiling applications

<sup>9</sup> Not available for Square Conversion Trim or Concrete Construction Housing

<sup>11</sup> Only available for Standard New Construction installation



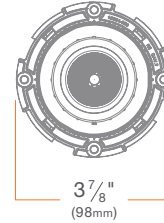
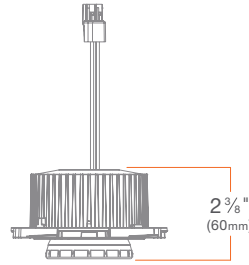
## PRODUCT BUILDER

---

### OPTICS ACCESSORIES

PRODUCT CODE	
<input type="text"/>	
<b>DID4X-NS</b>	Adjustable Narrow Spot (15°)
<b>DID4X-SP</b>	Adjustable Spot (25°)
<b>DID4X-FL</b>	Adjustable Flood (40°)
<b>DID4X-LS</b>	Adjustable Linear Spread (60° x 30°)
<b>DID4X-SF</b>	Adjustable Soft Focus
<b>DID4X-OP</b>	Adjustable Optics Kit: Narrow Spot (15°), Spot (25°), Flood (40°), Linear Spread (60° x 30°), Soft Focus

### MODULE



### SUMMARY

	STATIC CCT	WARM DIM	TUNABLE WHITE
<b>CCT</b>	2700K, 3000K, 3500K, 4000K	3000K - 1800K	4000K - 1800K
<b>LUMENS (POWER)</b>	750 lm (9.7W), 1000 lm (12.0W)	1000 lm (12.0W)	750 lm (14.0W)
<b>EFFICACY</b>	77 lm/W, 83 lm/W	83 lm/W	60 lm/W
<b>COLOR QUALITY</b>	True Spectrum™ 98 CRI, 2-step SDCM	True Spectrum™ 93 CRI, 2-step SDCM	True Spectrum™ 93 CRI, 2-step SDCM
<b>BEAM SPREAD</b>	Narrow Spot (15°), Spot (25°), Flood (40°), Linear Spread (60° x 30°), Soft Focus	Spot (25°), Flood (40°), Linear Spread (60° x 30°), Soft Focus	Spot (25°), Flood (40°), Linear Spread (60° x 30°), Soft Focus
<b>DIMMING</b>	TRIAC/ELV <sup>1</sup> , DALI-2	TRIAC/ELV <sup>1</sup> , DALI-2	DALI-2
<b>LED CHIP</b>	Cree Pro 9	Bridgelux	Bridgelux
<b>LISTINGS</b>	ENERGY STAR® qualified <sup>2</sup> , California Title 24 2016-2022 JA8-E compliant, UL Listed for Damp Location, UL Certified US-CA, Declare, RoHS compliant, NSF/ANSI 2 listed, suitable for splash-zone <sup>3</sup> , DALI-2 Compliant, Dark Sky Compliant <sup>4</sup>		
<b>ADJUSTMENT</b>	360° directional aim, 45° tilt		
<b>SLOPE CEILING COMPATIBILITY</b>	Up to 45°		

<sup>1</sup> Dimming at 120V only

<sup>2</sup> Refer to ENERGY STAR Certified light fixtures database

<sup>3</sup> This product is evaluated in accordance to NSF/ANSI 2 for Splash Zone having designated trim finishes

<sup>4</sup> DarkSky Approved is only applicable to CCT Options less than or equal to 3000K

### ADDITIONAL

**INPUT VOLTAGE:** 120/277V, 50/60Hz

**MAX INPUT CURRENT (120V):** 0.13 amps

**MAX INPUT CURRENT (277V):** 0.065 amps

**CONNECTOR:** PowerPlug® Luminaire Disconnect Model 182, 6-pin Molex

**POWER FACTOR:** Greater than 0.9

**TOTAL HARMONIC DISTORTION:** Less than 20%

**AMBIENT OPERATING TEMPERATURE:** -20°C to 40°C

**WARRANTY:** 10 year limited warranty; 50,000 hours at 70% lumen maintenance

## HOUSING

---



## New Construction

### SUMMARY

---

**JUNCTION BOX:** Equipped with 10 knockouts: two 1/2" and two 3/4" trade size knockouts on top, two 1/2" trade size knockouts on side, four romex knockouts on top. Approved for 8 (four in, four out) #12 AWG 70°C.

**MOUNTING:** Pre-installed mounting brackets allow vertical adjustment of bar hangers up to 1 1/4".

**CEILING:** Standard Version (Deep): 1/2" to 1 3/4",  
Low Profile Version: 1/2" to 1 1/4"

**CUTOUT:** 4 1/4" (108mm) round opening

**LISTINGS:** Metallic outlet box certified UL514A, code compliant for use in appropriate fire-rated assemblies for up to 2-hours (Fire Rated only), STC/IIC Sound Rated, ASTM E283 certified Air Tight, IC (Insulation Contact) rated

**WARRANTY:** 5 year limited warranty

### ALTERNATE DIMMING SPECIFICATIONS

---

**INPUT VOLTAGE:** 120/277V, 50/60Hz

**MAX INPUT CURRENT (120V):** 0.130 amps

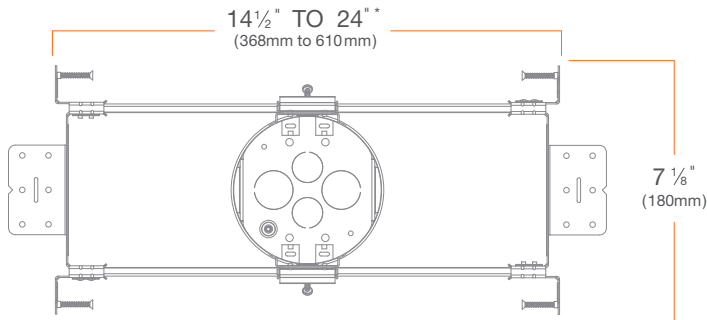
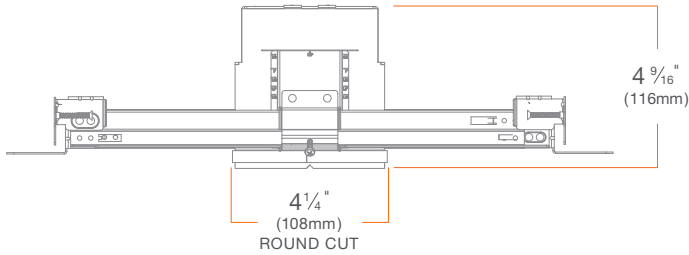
**MAX INPUT CURRENT (277V):** 0.065 amps

**POWER FACTOR:** Greater than 0.9

**TOTAL HARMONIC DISTORTION:** Less than 20%

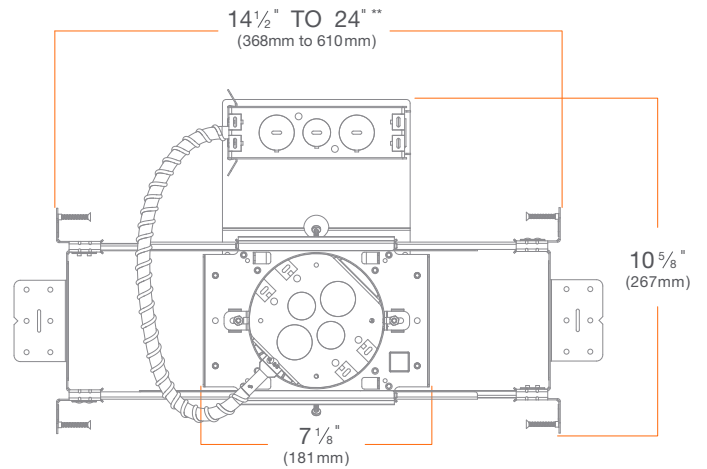
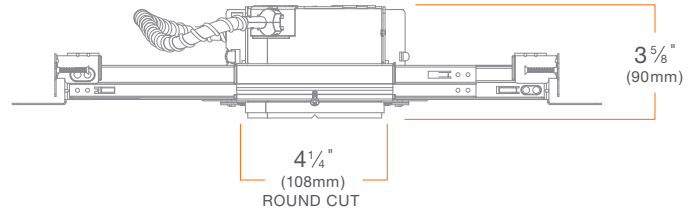
New Construction

- M4NCRS (Standard)
- M4NCRF (Fire Rated)
- M4CPRS (Chicago Plenum)



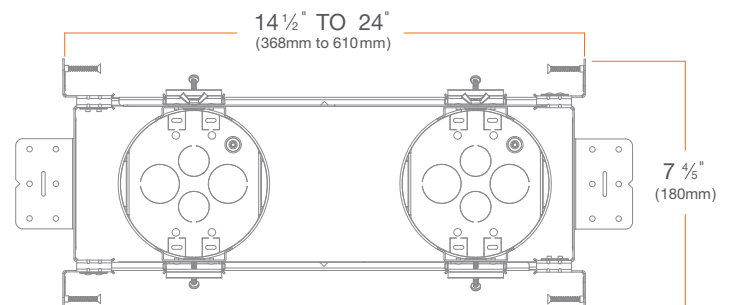
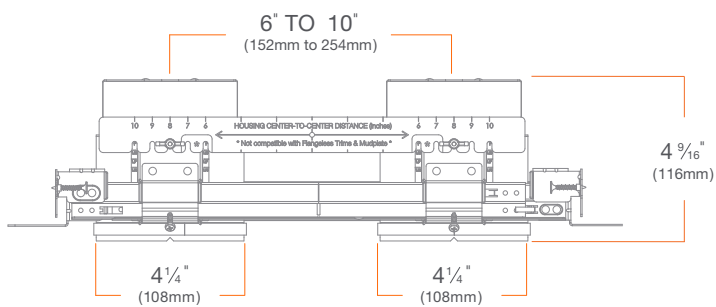
Low-Profile

- M4LTRS (Standard)
- M4LTRF (Fire Rated)



Double Housing

- M4DHRS



\* Can be field cut to minimum 7 1/2" (191mm)

\*\* Can be field cut to minimum 9" (229mm)

## HOUSING



## Spray Foam

### M4SFRS

#### SUMMARY

**JUNCTION BOX:** Equipped with six knockouts: four 1/2" trade size knockouts, two 3/4" trade size knockouts, and four romex knockouts. Approved for 8 (four in, four out) #12 AWG 70° C

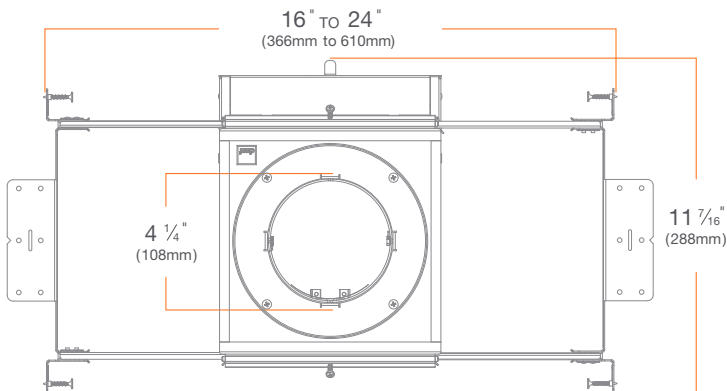
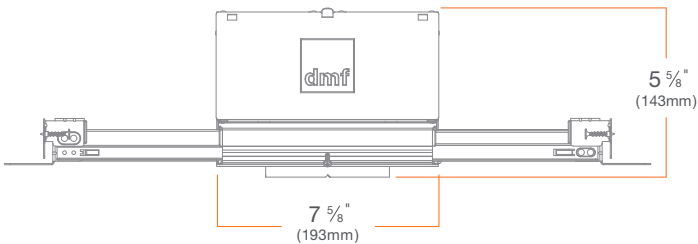
**MOUNTING:** Adjustable Bar Hanger for 16" to 24" joist spacing. Compatible with traditional joists, Armstrong™ ceiling, Hat Channel and T-bar

**CEILING:** 1/2" to 2"

**CUTOUT:** 4 1/4" (108mm) round opening

**LISTINGS:** ASTM E283 certified Air Tight, IC (Insulation Contact) up to R-32 for Roll, Batt, and Loose Fill, up to R-60 Spray Foam with standard trims, up to R-32 Spray Foam with other trims or Hex Louver

**WARRANTY:** 5 year limited warranty



HOUSING



## Remodel

### SUMMARY

**JUNCTION BOX:** Equipped with 8 knockouts: two 1/2" and two 3/4" trade size knockouts on top, four romex knockouts on top. Approved for 8 (four in, four out) #12 AWG 70°C.

**MOUNTING:** Pre-installed mounting spring clips

**CEILING:** 1/2" up to 1 1/4" for Standard, 5/8" up to 1 1/4" for Fire rated

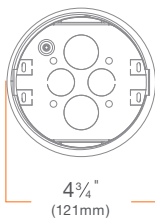
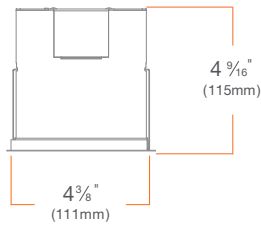
**CUTOUT:** 4 3/8" (111mm) round opening for Standard and 4 1/2" (114mm) round opening for Fire Rated

**LISTINGS:** Metallic outlet box certified UL514A, code compliant for use in appropriate fire-rated assemblies for up to 2-hours (Fire Rated only), STC/IIC Sound Rated, ASTM E283 certified Air Tight, IC (Insulation Contact) rated

**WARRANTY:** 5 year limited warranty

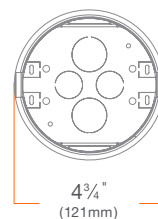
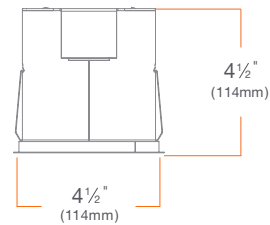
## Standard

### M4RMRS



## Fire Rated

### M4RMRF





## HOUSING



## Concrete Construction

**M4CC**

### SUMMARY

**JUNCTION BOX:** Equipped with (4) trade size concentric knockouts ( $\frac{3}{4}'' + \frac{1}{2}''$ ) to allow straight conduit runs. Approved for 8 (four in, four out) #12 AWG 90°C.

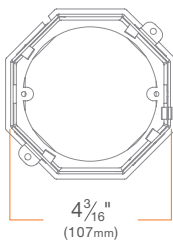
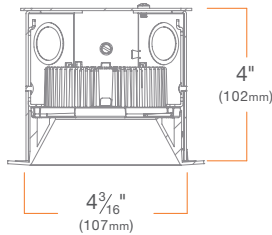
**MOUNTING:** (2) external tabs for wood, steel or concrete mounting

**COVER:** Removable top cover for easy access to electrical wiring work prior to concrete pour

**APPLICATION:** Poured deck (floor) high-rise new construction

**LISTINGS:** Metallic outlet box certified UL514A, concrete tight, code compliant for use in appropriate fire-rated assemblies for up to 2-hours, STC/IIC Sound Rated, ASTM E283 certified Air Tight

**WARRANTY:** 5 year limited warranty



TRIMS



# 4" Round Trims

M4TR

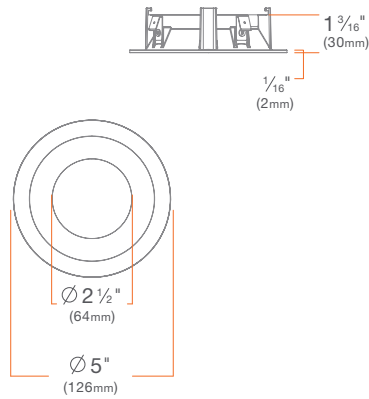
SUMMARY

**CONSTRUCTION:** Die-cast aluminum

**INSTALLATION:** Twist & Lock

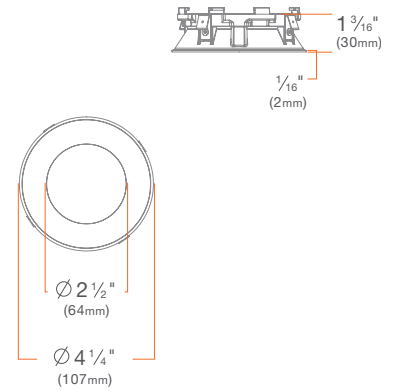
## Standard

M4TRSWH



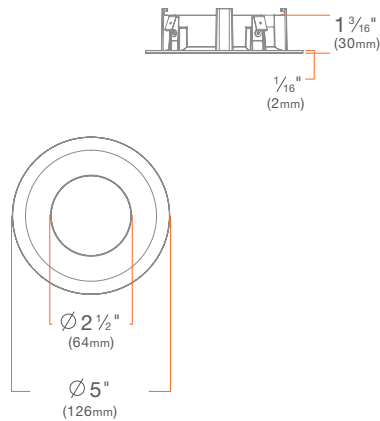
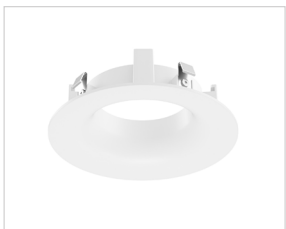
## Standard Flangeless

M4TRSWHFL



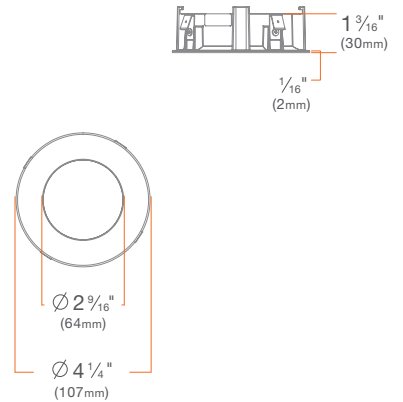
## Hyperbolic

M4TRHWH



## Hyperbolic Flangeless

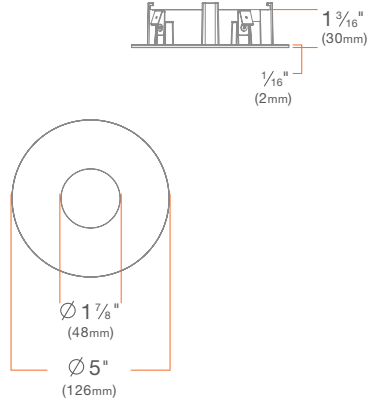
M4TRHWHFL



## TRIMS

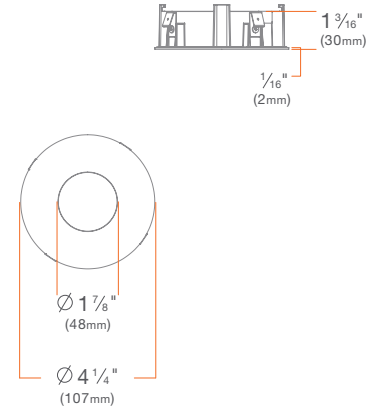
### Pinhole

#### M4TRPWH



### Pinhole Flangeless

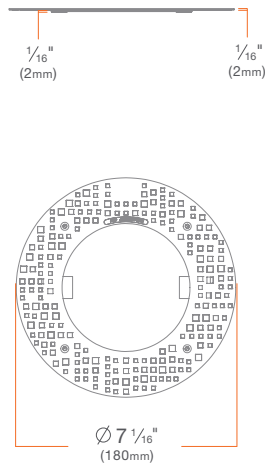
#### M4TRPWHFL



ACCESSORIES

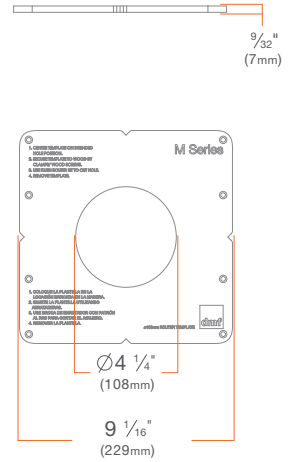
Flangeless Mud Plate

M4XRMUD



Wood Template

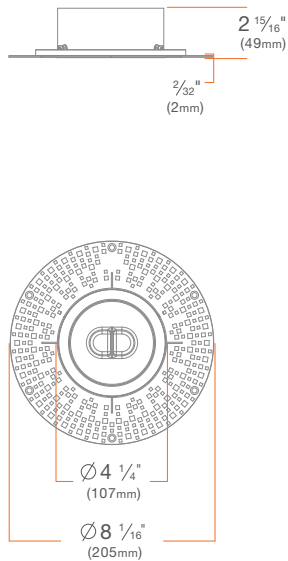
M4KRTEMPLATE



Retrofit Kit - 6" to 4"

\*Please refer to individual retrofit spec sheet

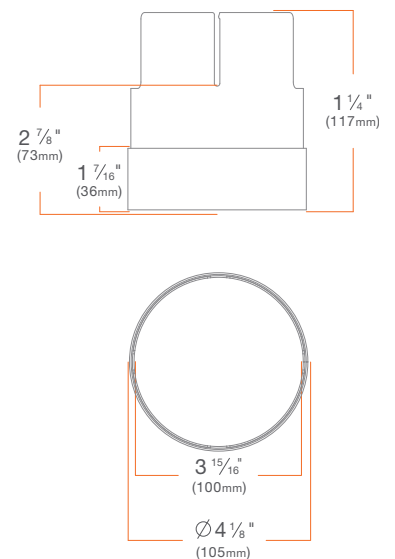
M4KRRETRO6



Extension Collar

\*For use with Standard New Construction Only

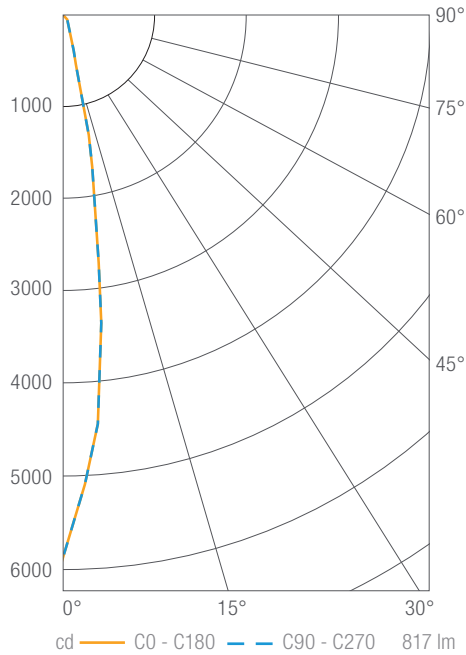
M4CREXT



PHOTOMETRY

**ART4A** 750 lm, 3000K, Narrow Spot

ART4AM07930NS



Luminous Intensity

Gamma	C 0°
0°	5897
5°	4418
10°	1911
15°	561
20°	280
25°	165
30°	117
35°	87
40°	69
45°	57
50°	47
55°	38
60°	31
65°	23
70°	16
75°	10
80°	4
85°	1
90°	0

Values in candela

Zonal Lumen Summary

Zone	Lumens	Luminaire %
0-30	645	79
0-40	701	86
0-60	781	96
0-90	817	100
0-180	817	100

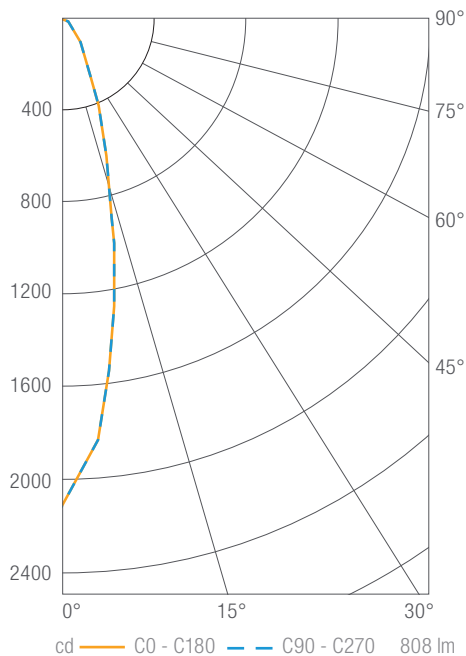
Illuminance Chart

Distance from LED	Foot Candles	Diameter
3'	655	0.8'
6'	164	1.7'
9'	73	2.5'
12'	41	3.3'

Beam Angle: 16°

**ART4A** 750 lm, 3000K, Spot

ART4AM07930SP



Luminous Intensity

Gamma	C 0°
0°	2105
5°	1826
10°	1282
15°	800
20°	497
25°	310
30°	201
35°	137
40°	98
45°	73
50°	57
55°	45
60°	35
65°	23
70°	12
75°	5
80°	3
85°	2
90°	0

Values in candela

Zonal Lumen Summary

Zone	Lumens	Luminaire %
0-30	573	71
0-40	668	83
0-60	773	96
0-90	808	100
0-180	808	100

Illuminance Chart

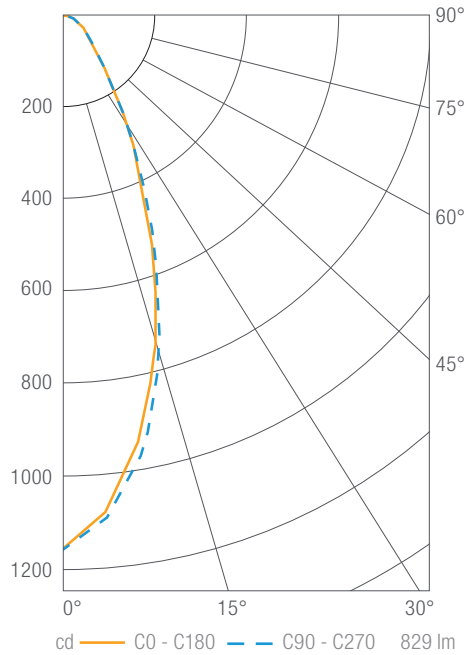
Distance from LED	Foot Candles	Diameter
3'	234	1.3'
6'	58	2.6'
9'	26	3.9'
12'	15	5.2'

Beam Angle: 28°

PHOTOMETRY

**ART4A** 750 lm, 3000K, Flood

ART4AM07930FL



Luminous Intensity

Gamma	C 0°
0°	1158
5°	1081
10°	941
15°	765
20°	576
25°	414
30°	288
35°	192
40°	130
45°	96
50°	76
55°	61
60°	49
65°	38
70°	28
75°	18
80°	10
85°	4
90°	0

Values in candela

Zonal Lumen Summary

Zone	Lumens	Luminaire %
0-30	510	62
0-40	633	76
0-60	766	92
0-90	829	100
0-180	829	100

Illuminance Chart

Distance from LED	Foot Candles	Diameter
3'	129	2.2'
6'	32	4.5'
9'	14	6.7'
12'	8	9.0'

Beam Angle: 41°