

Project:	Type:
Product Code:	Date:

V042224



4" Square Adjustable

HIGH PERFORMANCE Produces up to 1000 lumens of True Spectrum™ lighting for natural, true-to-life colors without sacrificing stellar efficiency

PRECISE CONTROL Field-changeable light distribution ranging from 15° to 90°+

DIM TO DARK Smooth, flicker-free dimming down to 0.1% with centralized or local control

FAST INSTALL Integrated driver, plug-and-play connection, and Twist & Lock Trims

MODULAR DESIGN Flexibility during and after installation with interchangeable modules, optics and trims

INSTALLATION

Ceiling Thickness

New Construction: 1/2" up to 1 3/4"
 Spray Foam: 1/2" up to 2"
 Remodel: 5/8" up to 1 1/4"
 Low Profile: 1/2" up to 1 1/4"

Ceiling Material

Drywall, Millwork, Concrete

TRIMS

Style

Standard, Pinhole, Flangeless

Finish

White, Black, Bronze, Clear Diffuse,
 Warm Diffuse, Custom Color

LIGHT OUTPUT & DISTRIBUTION

Module

Adjustable

Adjustment

360° direction aim, 45° tilt

Lumens (Power)

750 lm (9.5W), 1000 lm (12.5W)

Color Quality

True Spectrum™, 2-step SDCM

Color Temperature

● 2700K ● 3000K ○ 3500K
 ○ 4000K ● Warm Dim (3000K–1800K)
 ● Tunable White (4000K–1800K)

Beam Spread

▲ 15° Narrow Spot ▲ 25° Spot
 ▲ 40° Flood ▲ 60° x 30° Linear Spread
 ▲ Soft Focus

POWER & CONTROLS

Input Voltage

120 / 277V

Dimming

TRIAC/ELV (1%), DALI-2 (0.1%)

RATINGS & CERTIFICATIONS

- IC (Insulation Contact) Rated
- ASTM E283 Certified Air Tight
- CP Chicago Plenum
- UL Listed for Wet Location (Standard Trim only)
- RoHS Compliant
- DarkSky Approved (CCT less than or equal to 3000K, non-decorative trims only)
- Code compliant for use in fire-rated assemblies up to a maximum of 2-hours
- NSF Listed (White and Black Finish Only)

WARRANTY

10 year limited warranty; 50,000 hours



PRODUCT BUILDER

HOUSING

PRODUCT CODE		APPLICATION		SHAPE		RATING	
M4	4" Housing	NC	New Construction	S	Square	S	Standard
		CP	Chicago Plenum ¹			F	Fire Rated
		LT	Low Profile, TRIAC/ELV (3" Plenum)				
		RM	Remodel				
		SF	Spray Foam ¹				

¹ Only available in Standard rating

4" MODULE

PRODUCT CODE		LUMENS		COLORMETRIC		CCT		BEAM SPREAD		FINISH		DIMMING	
ART4A	Adjustable	07	750 lm ²	T	True Spectrum™	27	2700K	NS	Narrow Spot (15°) ⁵	[Blank]	Black	T	TRIAC/ELV
		10	1000 lm			30	3000K	SP	Spot (25°)	W	White	D	DALI-2 ⁷
						35	3500K	FL	Flood (40°)				
						40	4000K	LS	Linear Spread (60° x30°)				
						3W	Warm Dim ³ (3000K– 1800K)	SF	Soft Focus				
						T1	Tunable White ⁴ (4000K– 1800K)	NH	Narrow Spot w/ Hex Louver ^{5,6}				
								SH	Spot w/ Hex Louver ⁶				
								FH	Flood w/ Hex Louver ⁶				

² Only available in Tunable White or Narrow Spot for Static CCT

⁵ Not available in Warm Dim or Tunable White

³ Only available in 1000 lm

⁶ Not available for DALI-2

⁴ Only available in 750 lm for DALI-2

⁷ Only available in 750 lm Tunable White, and 1000 lm Warm Dim or static CCT

TRIM & ACCESSORIES

PRODUCT CODE		FINISH		OPTION	
M4TSQ	Round on Square	WH	White	[Blank]	None
M4TSP	Pinhole ⁶	BK	Black	FL	Flangeless ^{6,7}
		BZ	Bronze		
		CW	Clear Diffuse, White Flanged		
		WW	Warm Diffuse, White Flanged		
		CC	Custom Color		

M4XRMUD	Flangeless Mud Plate <i>(Required for flangeless drywall application)</i>
M4KRTEMPLATE	Wood Template <i>(Recommended for Flangeless Trim wood installation)</i>

⁶ Only available in White, Black or Bronze

⁷ Mud plate is required for all FL trims except for wood ceiling applications

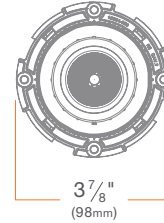
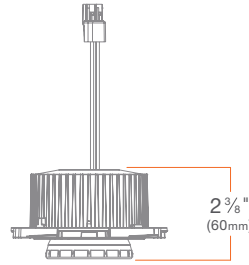


PRODUCT BUILDER

OPTICS ACCESSORIES

PRODUCT CODE	
<input type="text"/>	
DID4X-NS	Adjustable Narrow Spot (15°)
DID4X-SP	Adjustable Spot (25°)
DID4X-FL	Adjustable Flood (40°)
DID4X-LS	Adjustable Linear Spread (60° x 30°)
DID4X-SF	Adjustable Soft Focus
DID4X-OP	Adjustable Optics Kit: Narrow Spot (15°), Spot (25°), Flood (40°), Linear Spread (60° x 30°), Soft Focus

MODULE



SUMMARY

	STATIC CCT	WARM DIM	TUNABLE WHITE
CCT	2700K, 3000K, 3500K, 4000K	3000K - 1800K	4000K - 1800K
LUMENS (POWER)	750 lm (9.7W), 1000 lm (12.0W)	1000 lm (12.0W)	750 lm (12.5W)
EFFICACY	77 lm/W, 83 lm/W	83 lm/W	60 lm/W
COLOR QUALITY	True Spectrum™ 98 CRI, 2-step SDCM	True Spectrum™ 93 CRI, 2-step SDCM	True Spectrum™ 93 CRI, 2-step SDCM
BEAM SPREAD	Narrow Spot (15°), Spot (25°), Flood (40°), Linear Spread (60° x 30°), Soft Focus	Spot (25°), Flood (40°), Linear Spread (60° x 30°), Soft Focus	Spot (25°), Flood (40°), Linear Spread (60° x 30°), Soft Focus
DIMMING	TRIAC/ELV ¹ , DALI-2	TRIAC/ELV ¹ , DALI-2	DALI-2
LED CHIP	Cree Pro 9	Bridgelux	Bridgelux
LISTINGS	ENERGY STAR® qualified ² , California Title 24 2016-2022 JA8-E compliant, UL Listed for Damp Location, UL Certified US-CA, Declare, RoHS compliant, NSF/ANSI 2 listed, suitable for splash-zone ³ , DALI-2 Compliant, Dark Sky Compliant ⁴		
ADJUSTMENT	360° directional aim, 45° tilt		
SLOPE CEILING COMPATIBILITY	Up to 45°		

¹ Dimming at 120V only

² Refer to ENERGY STAR Certified light fixtures database

³ This product is evaluated in accordance to NSF/ANSI 2 for Splash Zone having designated trim finishes

⁴ DarkSky Approved is only applicable to CCT Options less than or equal to 3000K

ADDITIONAL

INPUT VOLTAGE: 120/277V, 50/60Hz

MAX INPUT CURRENT (120V): 0.13 amps

MAX INPUT CURRENT (277V): 0.065 amps

CONNECTOR: PowerPlug® Luminaire Disconnect Model 182, 6-pin Molex

POWER FACTOR: Greater than 0.9

TOTAL HARMONIC DISTORTION: Less than 20%

AMBIENT OPERATING TEMPERATURE: -20°C to 40°C

WARRANTY: 10 year limited warranty; 50,000 hours at 70% lumen maintenance

HOUSING



New Construction

SUMMARY

JUNCTION BOX: Equipped with 12 knockouts: four 1/2" trade size knockouts on side, two 3/4" and two 1/2" trade size knockouts on top and four romex knockouts on top. Approved for 8 (four in, four out) #12 AWG 70°C.

MOUNTING: Pre-installed mounting brackets allow vertical adjustment of bar hangers up to 1 1/4"

CEILING: Standard Version (Deep): 1/2" to 1 3/4",
Low Profile Version: 1/2" to 1 1/4"

CUTOUT: 4" (102mm) square opening

LISTINGS: Metallic outlet box certified UL514A, code compliant for use in appropriate fire-rated assemblies for up to 2-hours (Fire Rated only), STC/IIC Sound Rated, ASTM E283 certified Air Tight, IC (Insulation Contact) rated

WARRANTY: 5 year limited warranty

ALTERNATE DIMMING SPECIFICATIONS

INPUT VOLTAGE: 120/277V, 50/60Hz

MAX INPUT CURRENT (120V): 0.090 amps, 0.107 amps

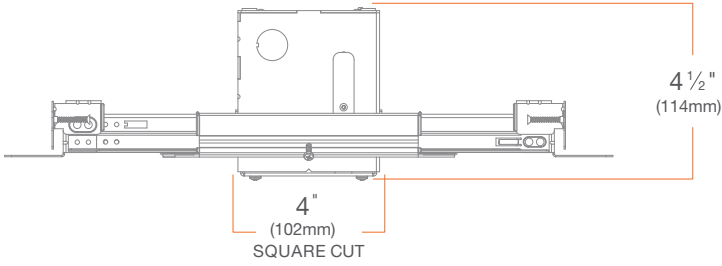
MAX INPUT CURRENT (277V): 0.042 amps, 0.050 amps

POWER FACTOR: Greater than 0.9

TOTAL HARMONIC DISTORTION: Less than 20%

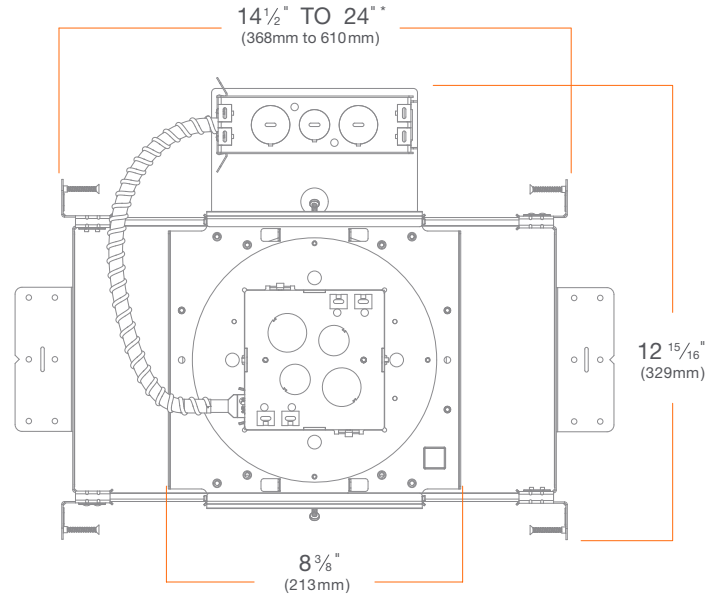
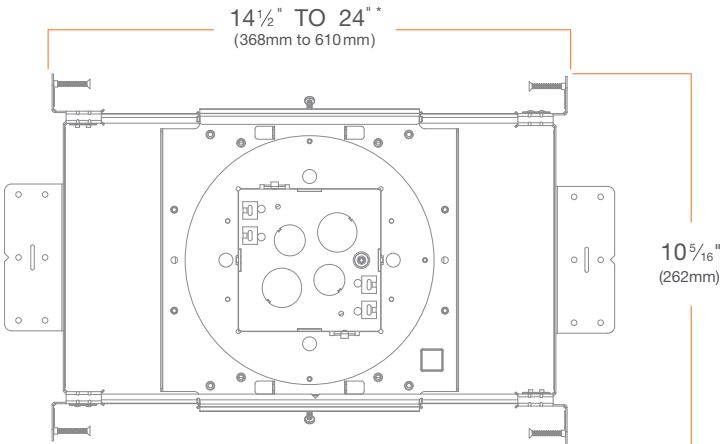
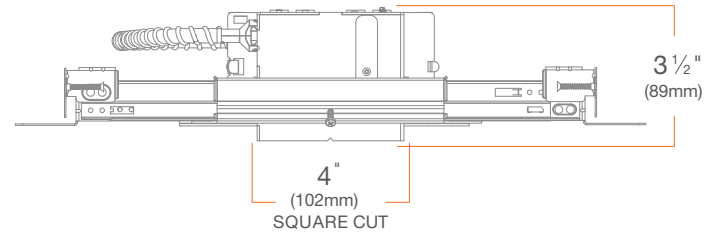
New Construction

- M4NCSS (Standard)
- M4NCSE (Fire Rated)
- M4CPSS (Chicago Plenum)



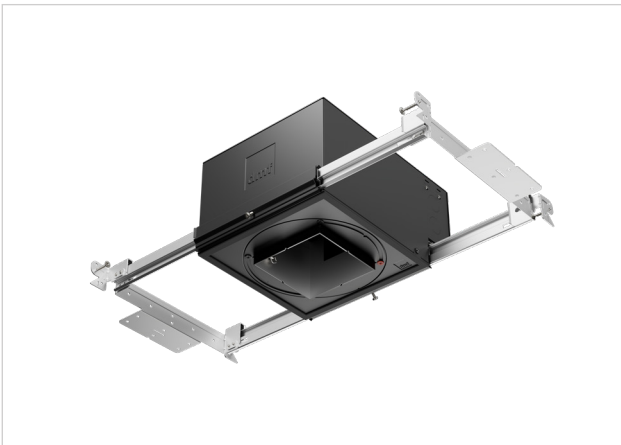
Low-Profile

- M4LTSS (Standard)
- M4LTSE (Fire Rated)



* Can be field cut to minimum 10" (254mm)

HOUSING



Spray Foam

M4SFRS

SUMMARY

JUNCTION BOX: Equipped with six knockouts: four 1/2" trade size knockouts, two 3/4" trade size knockouts, and four romex knockouts. Approved for 8 (four in, four out) #12 AWG 70° C

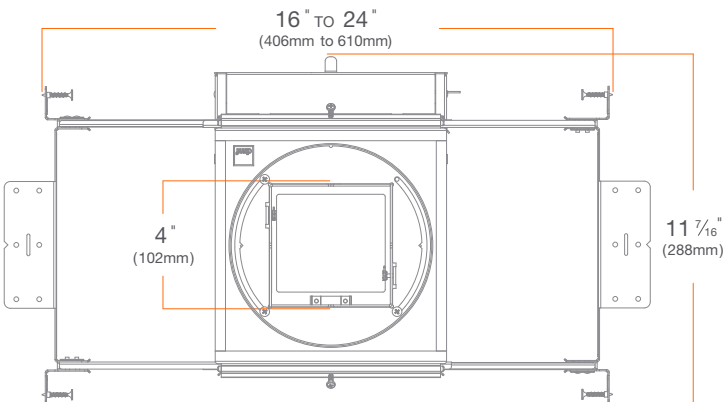
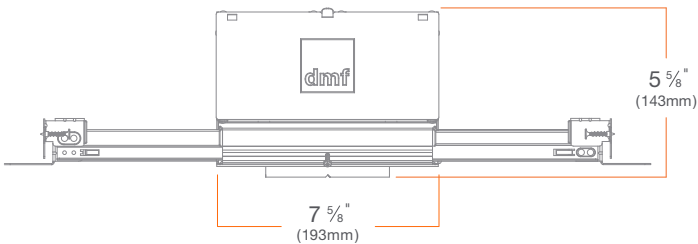
MOUNTING: Adjustable Bar Hanger for 16" to 24" joist spacing. Compatible with traditional joists, Armstrong TM ceiling, Hat Channel and T-bar

CEILING: 1/2" up to 2"

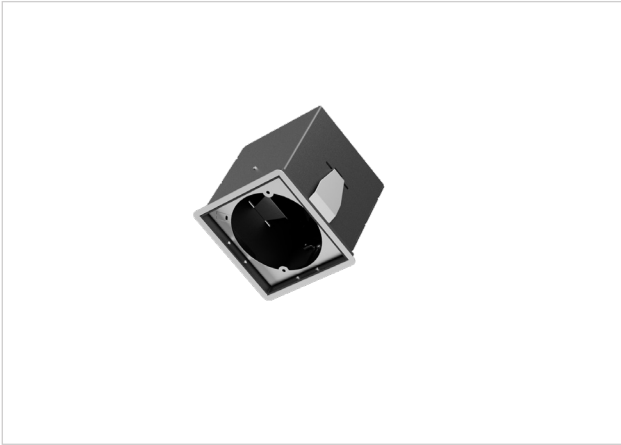
CUTOUT: 4" (102mm) square opening

LISTINGS: ASTM E283 certified Air Tight, IC (Insulation Contact) up to R-32 for Roll, Batt, and Loose Fill, up to R-60 Spray Foam with standard beveled trims, up to R-32 Spray Foam with other trims

WARRANTY: 5 year limited warranty



HOUSING



Remodel

M4RMSS (Standard)

M4RMSF (Fire Rated)

SUMMARY

JUNCTION BOX: Equipped with 8 knockouts: four 1/2" trade size knockouts on side, two 3/4" and two 1/2" trade size knockouts on top and four romex knockouts on top. Approved for 8 (four in, four out) #12 AWG 70°C.

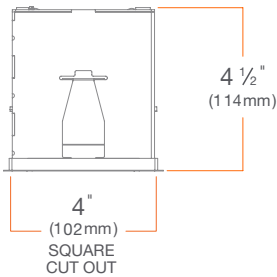
MOUNTING: Pre-installed mounting spring clips

CEILING: 5/8" up to 1 1/4"

CUTOUT: 4" (102mm) square opening

LISTINGS: Metallic outlet box certified UL514A, code compliant for use in appropriate fire-rated assemblies for up to 2-hours (Fire Rated only), STC/IIC Sound Rated, ASTM E283 certified Air Tight, IC (Insulation Contact) rated

WARRANTY: 5 year limited warranty



TRIMS



4" Square Trims

M4TS

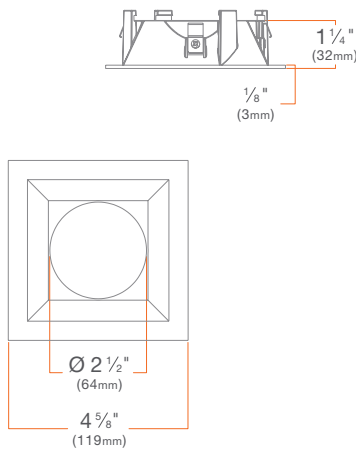
SUMMARY

CONSTRUCTION: Die-cast aluminum

INSTALLATION: Twist & Lock

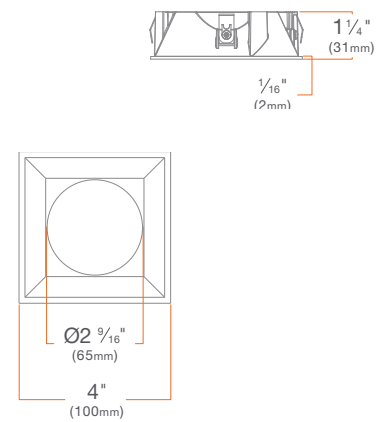
Round on Squar

M4TSQWH



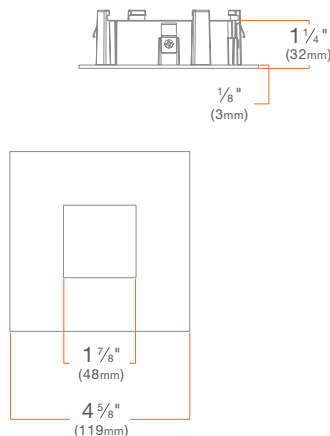
Round On Square Flangeless

M4TSQWHFL



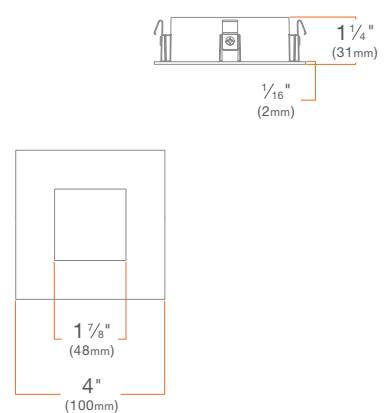
Pinhole

M4TSPWH



Pinhole Flangeless

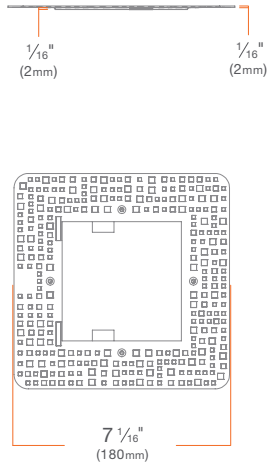
M4TSPWHFL



ACCESSORIES

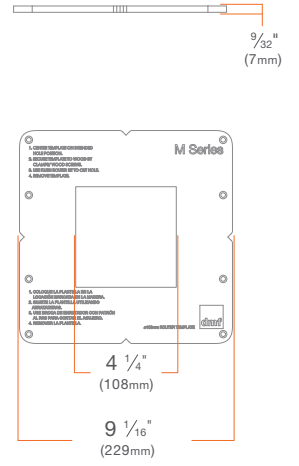
Flangeless Mud Plate

M4XSMUD



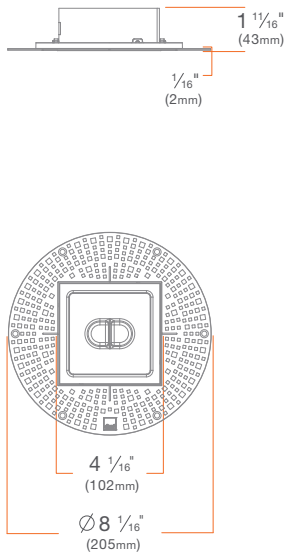
Wood Template

M4KSTEMPLAT



Retrofit Kit - 6" to 4" ** Please refer to individual retrofit spec sheet*

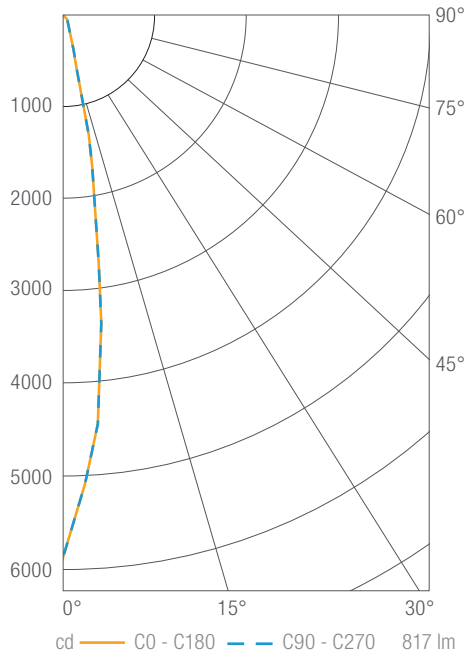
M4KSRETRO6



PHOTOMETRY

ART4A 750 lm, 3000K, Narrow Spot

ART4AM07930NS



Luminous Intensity

Gamma	C 0°
0°	5897
5°	4418
10°	1911
15°	561
20°	280
25°	165
30°	117
35°	87
40°	69
45°	57
50°	47
55°	38
60°	31
65°	23
70°	16
75°	10
80°	4
85°	1
90°	0

Values in candela

Zonal Lumen Summary

Zone	Lumens	Luminaire %
0-30	645	79
0-40	701	86
0-60	781	96
0-90	817	100
0-180	817	100

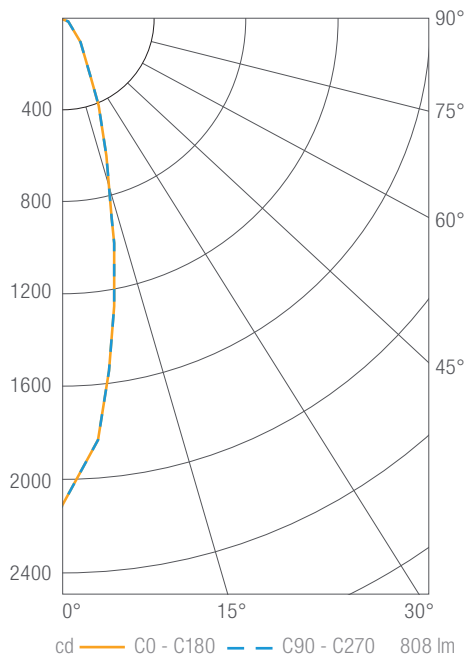
Illuminance Chart

Distance from LED	Foot Candles	Diameter
3'	655	0.8'
6'	164	1.7'
9'	73	2.5'
12'	41	3.3'

Beam Angle: 16°

ART4A 750 lm, 3000K, Spot

ART4AM07930SP



Luminous Intensity

Gamma	C 0°
0°	2105
5°	1826
10°	1282
15°	800
20°	497
25°	310
30°	201
35°	137
40°	98
45°	73
50°	57
55°	45
60°	35
65°	23
70°	12
75°	5
80°	3
85°	2
90°	0

Values in candela

Zonal Lumen Summary

Zone	Lumens	Luminaire %
0-30	573	71
0-40	668	83
0-60	773	96
0-90	808	100
0-180	808	100

Illuminance Chart

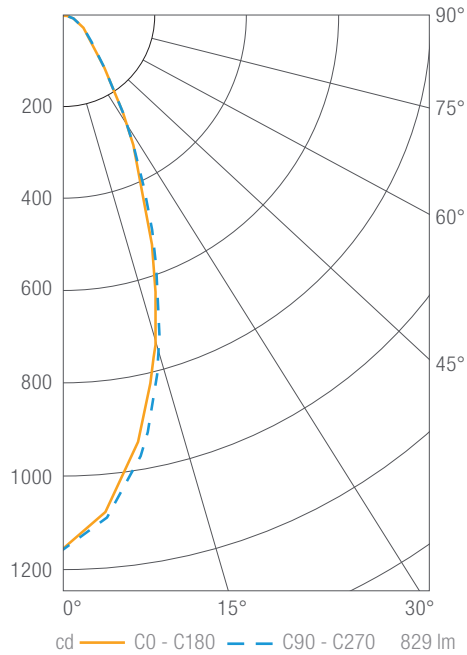
Distance from LED	Foot Candles	Diameter
3'	234	1.3'
6'	58	2.6'
9'	26	3.9'
12'	15	5.2'

Beam Angle: 28°

PHOTOMETRY

ART4A 750 lm, 3000K, Flood

ART4AM07930FL



Luminous Intensity

Gamma	C 0°
0°	1158
5°	1081
10°	941
15°	765
20°	576
25°	414
30°	288
35°	192
40°	130
45°	96
50°	76
55°	61
60°	49
65°	38
70°	28
75°	18
80°	10
85°	4
90°	0

Values in candela

Zonal Lumen Summary

Zone	Lumens	Luminaire %
0-30	510	62
0-40	633	76
0-60	766	92
0-90	829	100
0-180	829	100

Illuminance Chart

Distance from LED	Foot Candles	Diameter
3'	129	2.2'
6'	32	4.5'
9'	14	6.7'
12'	8	9.0'

Beam Angle: 41°