

Project:	Type:
Product Code:	Date:

V041124



4" Square Downlight

HIGH PERFORMANCE Produces up to 1000 lumens of True Spectrum™ lighting for natural, true-to-life colors without sacrificing stellar efficiency

PRECISE CONTROL Field-changeable light distribution ranging from 15° to 90°+

DIM TO DARK Smooth, flicker-free dimming down to 0.1% with centralized or local control

FAST INSTALL Integrated driver, plug-and-play connection, and Twist & Lock Trims

MODULAR DESIGN Flexibility during and after installation with interchangeable modules, optics and trims

INSTALLATION

Ceiling Thickness

- New Construction: 1/2" up to 1 3/4"
- Spray Foam: 1/2" up to 2"
- Remodel: 5/8" up to 1 1/4"
- Low Profile: 1/2" up to 1 1/4"

Ceiling Material

Drywall, Millwork, Concrete

TRIMS

Style

Standard, Pinhole, Flangeless, Wall Wash, Decorative

Finish

White, Black, Bronze, Clear Diffuse, Warm Diffuse, Custom Color

LIGHT OUTPUT & DISTRIBUTION

Module

Downlight

Lumens (Power)

1000 lm (12.0W), 1250 lm (14.3W)

Color Quality

True Spectrum™, 2-step SDCM

Color Temperature

- 2700K
- 3000K
- 3500K
- 4000K
- Warm Dim (3000K–1800K)
- Tunable White (4000K–1800K)

Beam Spread

- 15° Narrow Spot
- 25° Spot
- 40° Flood
- 60° Wide Flood
- 90°+ General
- 40° x 20° Linear Spread
- Soft Focus

POWER & CONTROLS

Input Voltage

120 / 277V

Dimming

TRIAC/ELV (1%), DALI-2 (0.1%)

RATINGS & CERTIFICATIONS

- IC (Insulation Contact) Rated
- ASTM E283 Certified Air Tight
- Chicago Plenum
- UL Listed for Wet Location (Standard Trim only)
- RoHS Compliant
- DarkSky Approved (CCT less than or equal to 3000K, non-decorative trims only)
- Code compliant for use in fire-rated assemblies up to a maximum of 2-hours
- NSF Listed (White and Black Finish Only)

WARRANTY

10 year limited warranty; 50,000 hours



PRODUCT BUILDER

HOUSING

PRODUCT CODE		APPLICATION		SHAPE		RATING	
<input type="text"/>		<input type="text"/>		<input type="text"/>		<input type="text"/>	
M4	4" Housing	NC	New Construction	S	Square	S	Standard
		CP	Chicago Plenum ¹			F	Fire Rated
		LT	Low Profile, TRIAC/ELV (3" Plenum)				
		RM	Remodel				
		SF	Spray Foam ¹				

¹ Only available in Standard rating

4" MODULE

PRODUCT CODE		LUMENS		COLORMETRIC		CCT		BEAM SPREAD		FINISH		DIMMING	
<input type="text"/>		<input type="text"/>		<input type="text"/>		<input type="text"/>		<input type="text"/>		<input type="text"/>		<input type="text"/>	
ART4D	Downlight	10	1000 lm	T	True Spectrum™	27	2700K	GA	General Ambient (90°+)	[Blank]	Black	T	TRIAC/ELV
		12	1250 lm ²			30	3000K	NS	Narrow Spot (15°) ⁵			D	DALI-2 ⁶
						35	3500K	SP	Spot (25°)				
						40	4000K	FL	Flood (40°)				
						3W	Warm Dim ³ (3000K– 1800K)	WF	Wide Flood (60°)				
						T1	Tunable White ⁴ (4000K– 1800K)	LS	Linear Spread (40° x 20°)				
								SF	Soft Focus				

² Only available in DALI-2 with fixed CCT

³ Only available in 1000 lm

⁴ Only available in 1000 lm for DALI-2

⁵ Not available in Warm Dim or Tunable White

⁶ Only available in 1000 lm for Tunable White or Warm Dim, and 1250 lm static CCT

TRIM

PRODUCT CODE		SHAPE		STYLE		FINISH		OPTION	
<input type="text"/>		<input type="text"/>		<input type="text"/>		<input type="text"/>		<input type="text"/>	
M4T	4" Trim	S	Square	S	Standard	WH	White	[Blank]	None
				Q	Round on Square	BK	Black	DCF	Decorative: Closed, Frosted ^{3,8,9,10}
				P	Pinhole ⁷	BZ	Bronze	DCC	Decorative: Closed, Clear, Frosted Side ^{3,8,9,10}
				W	Wall Wash ⁸	CW	Clear Diffuse, White Flange	DCCF	Decorative: Closed, Clear, Frosted Inside ^{3,8,9,10}
						WW	Warm Diffuse, White Flange	FL	Flangeless ^{7,11,12}
						CC	Custom Color		

M4XSMUD	Flangeless Mud Plate <i>(Required for flangeless drywall application)</i>
M4KSTEMPLATE	Wood Template <i>(Recommended for use with wood routers in wood or millwork applications)</i>

⁷ Only available in White, Black, Bronze or Custom Color finish

⁸ Only available for General Ambient beam spread

⁹ Only available in White or Custom Color finish

¹⁰ Only available in Standard style

¹¹ Not available for Square Conversion Trim or Concrete Construction Housing

¹² Mudplate is required for all FL trims except for wood ceiling applications

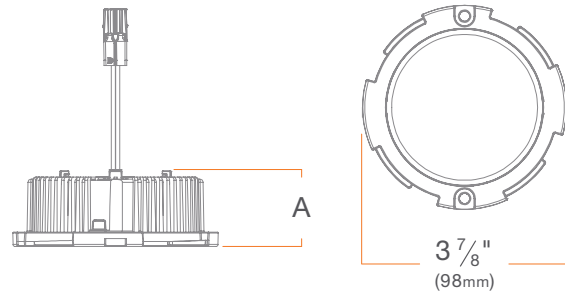


PRODUCT BUILDER

OPTICS ACCESSORIES

PRODUCT CODE	
<input type="text"/>	
DID2X-GA	Fixed Conversion Kit: 4" Downlight Module to General Ambient (90°+)
DID2X-NS	Fixed Narrow Spot (15°)
DID2X-SP	Fixed Spot (25°)
DID2X-FL	Fixed Flood (40°)
DID2X-WF	Fixed Wide Flood (60°)
DID2X-LS	Fixed Linear Spread (40° x 20°)
DID2X-SF	Fixed Soft Focus
DID2X-OP	Fixed Optics Kit: Narrow Spot (15°), Spot (25°), Flood (40°), Wide Flood (60°), Linear Spread (40° x 20°), Soft Focus

MODULE



Measurements

	A
Standard	1 7/16" [37 mm]
DALI-2	2" [50 mm]

SUMMARY

	STATIC CCT	WARM DIM	TUNABLE WHITE
CCT	2700K, 3000K, 3500K, 4000K	3000K - 1800K	4000K - 1800K
LUMENS (POWER)	1000 lm (12.0W), 1250 lm (14.3W)	1000 lm (12.0W)	1000 lm (14.0W)
EFFICACY	83 lm/W, 87 lm/W	83 lm/W	71 lm/W
COLOR QUALITY	True Spectrum™ 98 CRI, 2-step SDCM	True Spectrum™ 93 CRI, 2-step SDCM	True Spectrum™ 93 CRI, 2-step SDCM
BEAM SPREAD	General Ambient (90°+), Narrow Spot (15°), Spot (25°), Flood (40°), Wide Flood (60°), Linear Spread (40° x 20°), Soft Focus	General Ambient (90°+), Spot (25°), Flood (40°), Wide Flood (60°), Linear Spread (40° x 20°), Soft Focus	General Ambient (90°+), Spot (25°), Flood (40°), Wide Flood (60°), Linear Spread (40° x 20°), Soft Focus
DIMMING	TRIAC/ELV, DALI-2	TRIAC/ELV, DALI-2	DALI-2
LED CHIP	Cree Pro9	Bridgelux	Bridgelux
LISTINGS	ENERGY STAR® qualified ¹ , California Title 24 2016-2022 JA8-E compliant, UL Listed for Wet Location, UL Certified US-CA, Declare, RoHS compliant, NSF/ANSI 2 listed, suitable for splash-zone ² , DALI-2 Compliant, Dark Sky Compliant ³		

¹ Refer to ENERGY STAR Certified light fixtures database

² This product is evaluated in accordance to NSF/ANSI 2 for Splash Zone having designated trim finishes

³ DarkSky Approved is only applicable to CCT Options less than or equal to 3000K

ADDITIONAL

INPUT VOLTAGE: 120/277V, 50/60Hz

MAX INPUT CURRENT (120V): 0.13 amps

MAX INPUT CURRENT (277V): 0.065 amps

CONNECTOR: PowerPlug® Luminaire Disconnect Model 182, 6-pin Molex

POWER FACTOR: Greater than 0.9

TOTAL HARMONIC DISTORTION: Less than 20%

AMBIENT OPERATING TEMPERATURE: -20°C to 40°C

WARRANTY: 10 year limited warranty; 50,000 hours at 70% lumen maintenance

HOUSING



New Construction

SUMMARY

JUNCTION BOX: Equipped with 12 knockouts: four 1/2" trade size knockouts on side, two 3/4" and two 1/2" trade size knockouts on top and four romex knockouts on top. Approved for 8 (four in, four out) #12 AWG 70°C.

MOUNTING: Pre-installed mounting brackets allow vertical adjustment of bar hangers up to 1 1/4"

CEILING: Standard Version (Deep): 1/2" to 1 3/4"
Low Profile Version: 1/2" to 1 1/4"

CUTOUT: 4" (102mm) square opening

LISTINGS: Metallic outlet box certified UL514A, code compliant for use in appropriate fire-rated assemblies for up to 2-hours (Fire Rated only), STC/IIC Sound Rated, ASTM E283 certified Air Tight, IC (Insulation Contact) rated

WARRANTY: 5 year limited warranty

ALTERNATE DIMMING SPECIFICATIONS

INPUT VOLTAGE: 120/277V, 50/60Hz

MAX INPUT CURRENT (120V): 0.090 amps, 0.107 amps

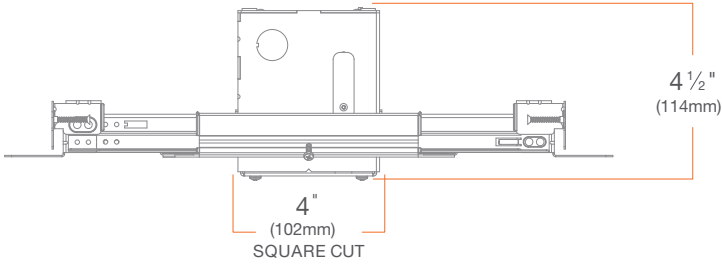
MAX INPUT CURRENT (277V): 0.042 amps, 0.050 amps

POWER FACTOR: Greater than 0.9

TOTAL HARMONIC DISTORTION: Less than 20%

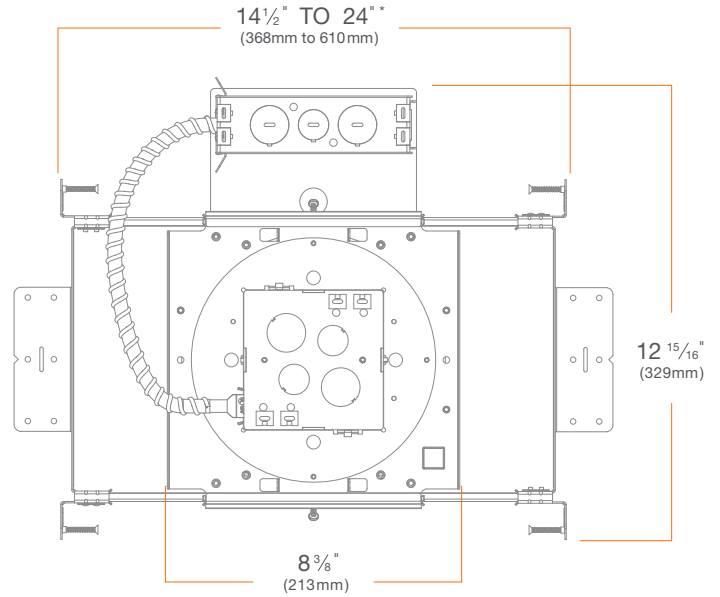
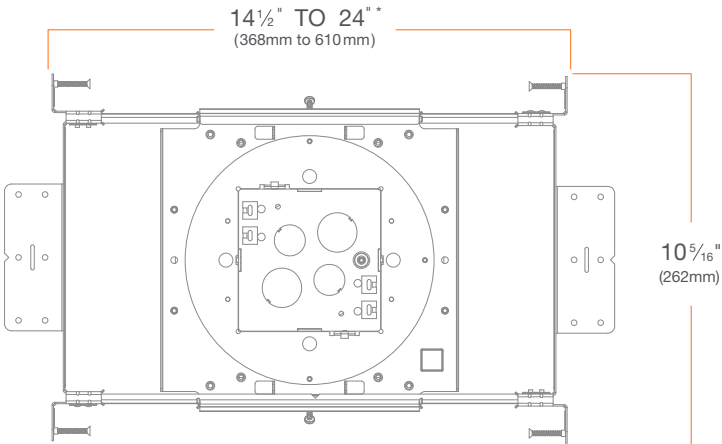
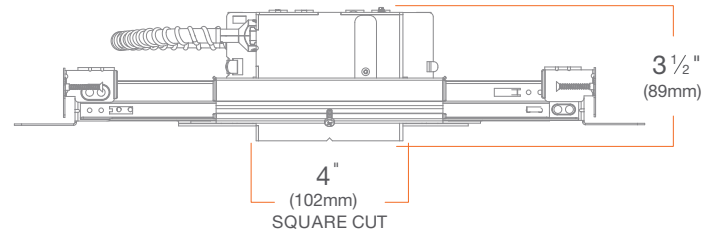
New Construction

- M4NCSS (Standard)
- M4NCSE (Fire Rated)
- M4CPSS (Chicago Plenum)



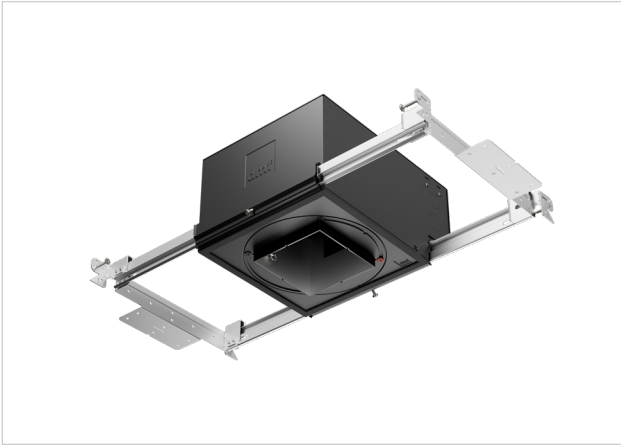
Low-Profile

- M4LTSS (Standard)
- M4LTSE (Fire Rated)



* Can be field cut to minimum 10" (254mm)

HOUSING



Spray Foam

M4SFRS

SUMMARY

JUNCTION BOX: Equipped with six knockouts: four 1/2" trade size knockouts, two 3/4" trade size knockouts, and four romex knockouts. Approved for 8 (four in, four out) #12 AWG 70° C

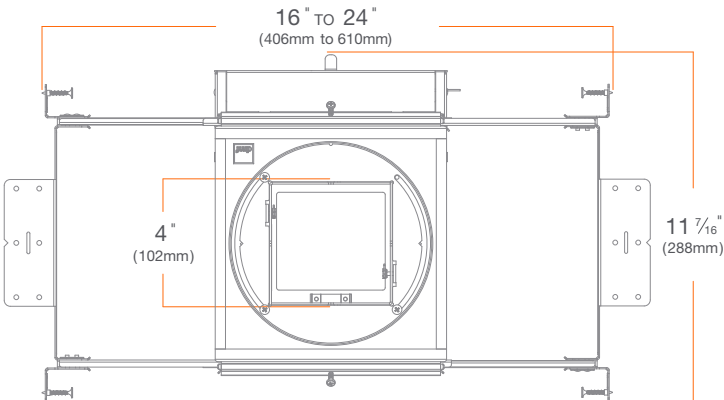
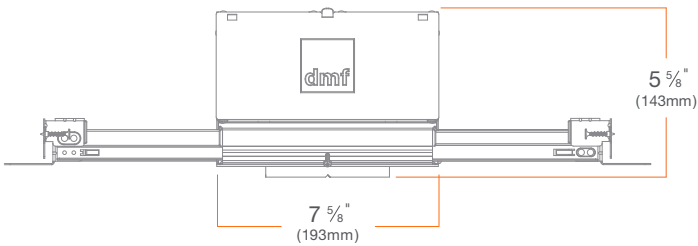
MOUNTING: Adjustable Bar Hanger for 16" to 24" joist spacing. Compatible with traditional joists, Armstrong TM ceiling, Hat Channel and T-bar

CEILING: 1/2" to 2"

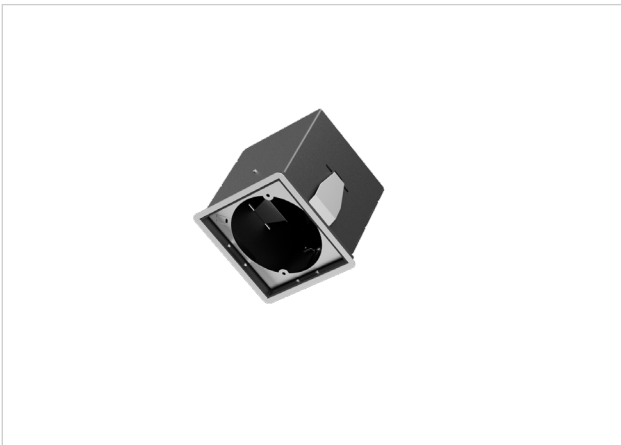
CUTOUT: 4" (102mm) square opening

LISTINGS: ASTM E283 certified Air Tight, IC (Insulation Contact) up to R-32 for Roll, Batt, and Loose Fill, up to R-60 Spray Foam with standard trims, up to R-32 Spray Foam with other trims

WARRANTY: 5 year limited warranty



HOUSING



Remodel

M4RMSS (Standard)

M4RMSF (Fire Rated)

SUMMARY

JUNCTION BOX: Equipped with 8 knockouts: four 1/2" trade size knockouts on side, two 3/4" and two 1/2" trade size knockouts on top and four romex knockouts on top. Approved for 8 (four in, four out) #12 AWG 70°C.

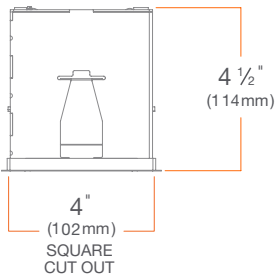
MOUNTING: Pre-installed mounting spring clips

CEILING: 5/8" up to 1 1/4"

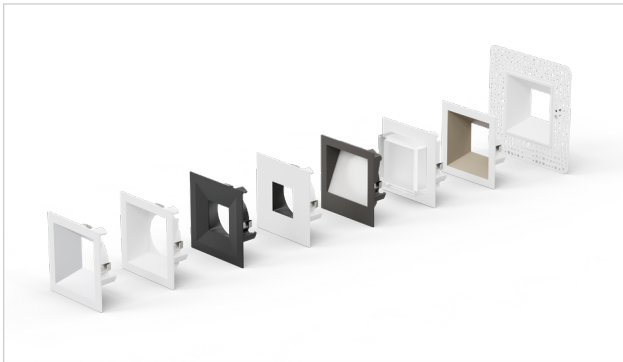
CUTOUT: 4" (102mm) square opening

LISTINGS: Metallic outlet box certified UL514A, code compliant for use in appropriate fire-rated assemblies for up to 2-hours (Fire Rated only), STC/IIC Sound Rated, ASTM E283 certified Air Tight, IC (Insulation Contact) rated

WARRANTY: 5 year limited warranty



TRIMS



4" Square Trims

M4TS

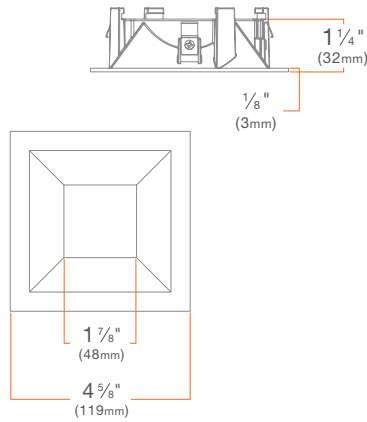
SUMMARY

CONSTRUCTION: Die-cast aluminum

INSTALLATION: Twist & Lock

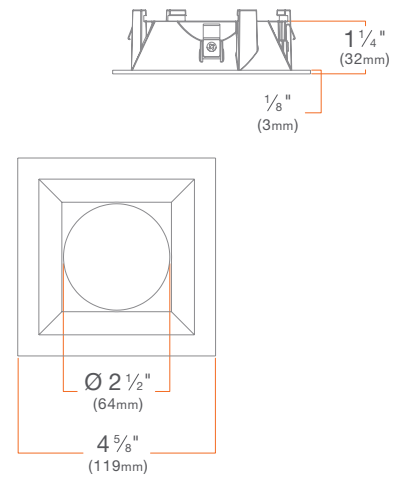
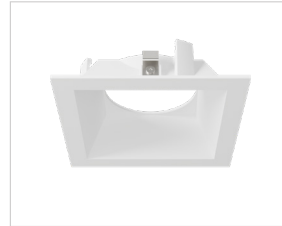
Standard

M4TSSWH



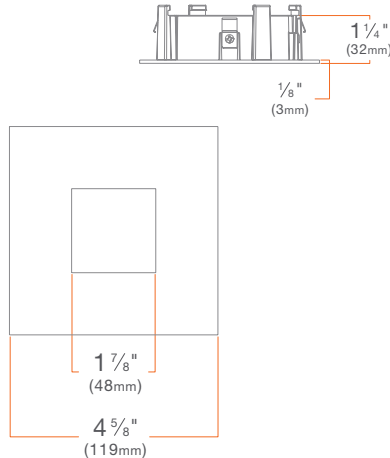
Round on Square

M4TSQWH



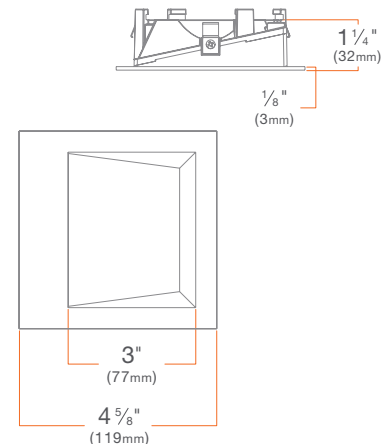
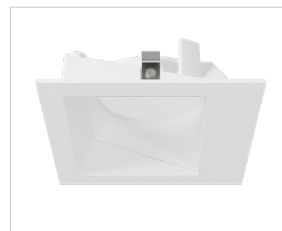
Pinhole

M4TSPWH



Wall Wash

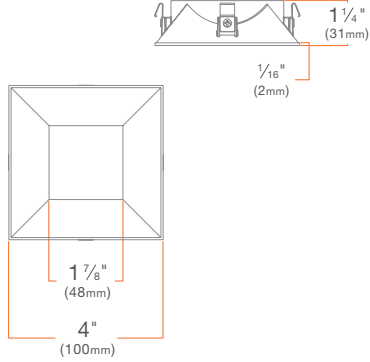
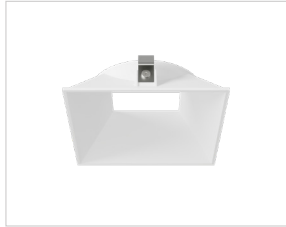
Round: **M4TSWWH**



TRIMS

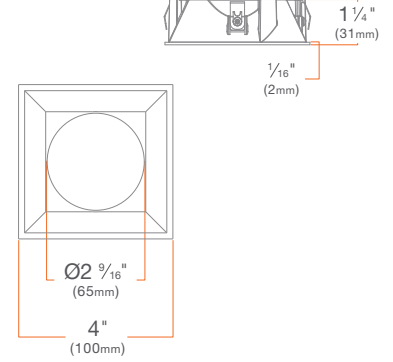
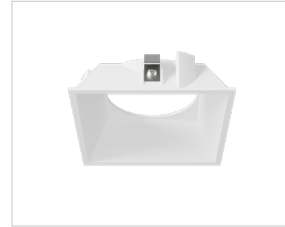
Standard Flangeless

M4TSSWHFL



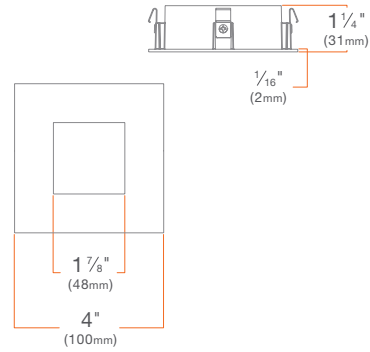
Round On Square Flangeless

M4TSQWHFL



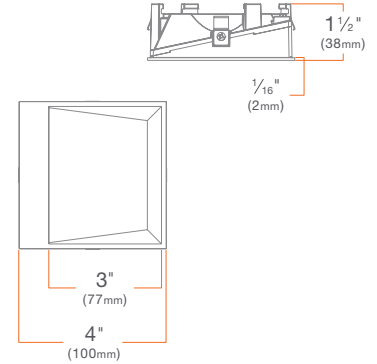
Pinhole Flangeless

M4TSPWHFL



Wall Wash Flangeless

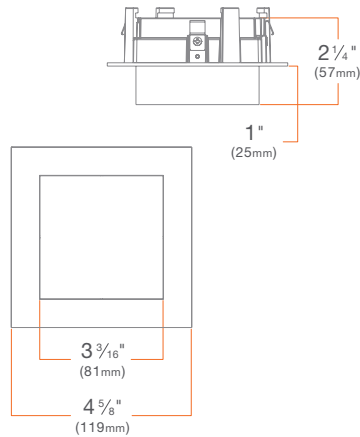
M4TSWWHFL



Decorative Closed

Frosted: M4TSSWHDCF

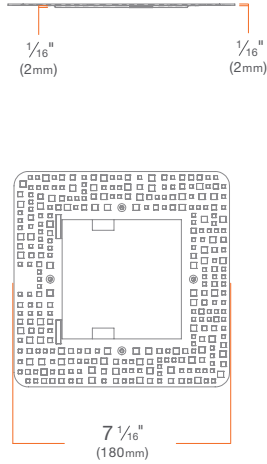
Clear, Frosted Sides: M4TSSWHDCCF



ACCESSORIES

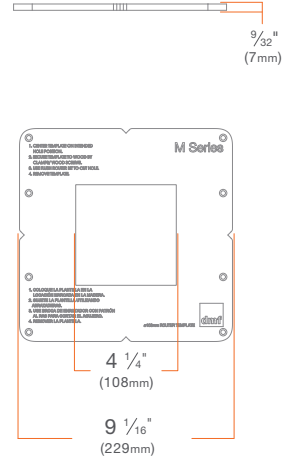
Flangeless Mud Plate

M4XSMUD



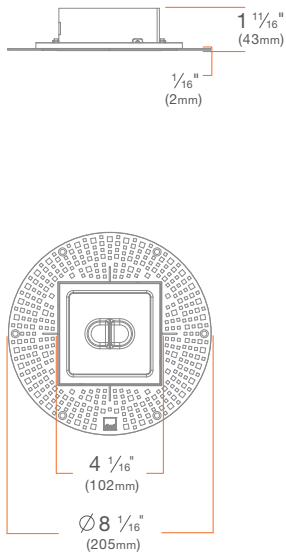
Wood Template

M4KSTEMPLAT



Retrofit Kit - 6" to 4" ** Please refer to individual retrofit spec sheet*

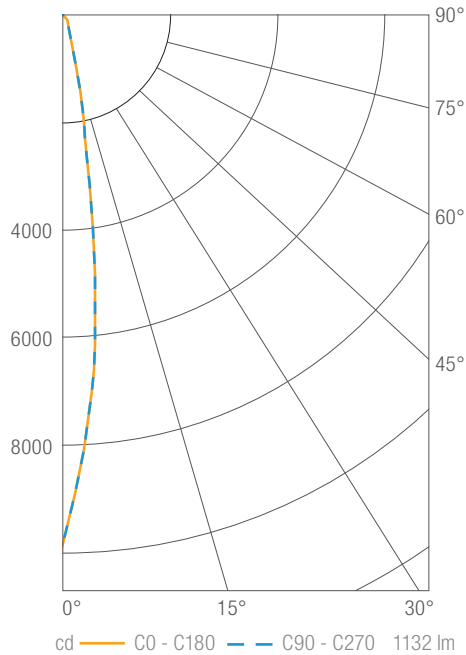
M4KSRETRO6



PHOTOMETRY

ART4D 1000 lm, 3000K, Narrow Spot

ART4DM10930NS



Luminous Intensity

Gamma	C 0°
0°	9823
5°	6600
10°	2335
15°	734
20°	357
25°	244
30°	195
35°	159
40°	116
45°	85
50°	61
55°	42
60°	28
65°	16
70°	7
75°	4
80°	2
85°	1
90°	0

Values in candela

Zonal Lumen Summary

Zone	Lumens	Luminaire %
0-30	906	80
0-40	1004	89
0-60	1110	98
0-90	1131	100
0-180	1132	100

Illuminance Chart

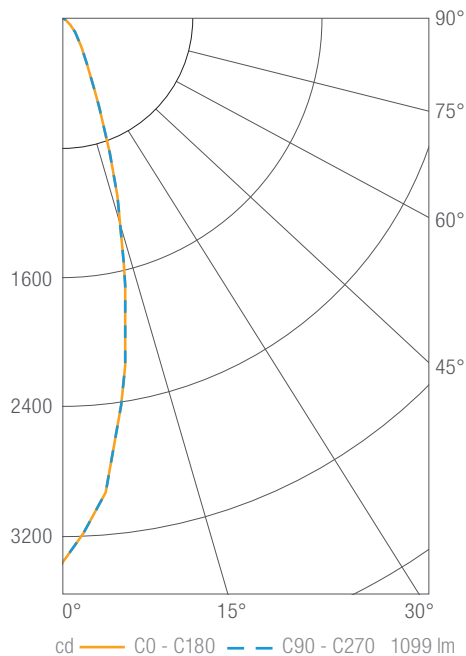
Distance from LED	Foot Candles	Diameter
3'	1091	0.7'
6'	273	1.5'
9'	121	2.2'
12'	68	2.9'

Beam Angle: 14°

*For use with New Construction Only

ART4D 1000 lm, 3000K, Spot

ART4DM10930SP



Luminous Intensity

Gamma	C 0°
0°	3366
5°	2967
10°	2203
15°	1391
20°	775
25°	419
30°	248
35°	167
40°	119
45°	87
50°	62
55°	43
60°	26
65°	15
70°	7
75°	4
80°	2
85°	1
90°	0

Values in candela

Zonal Lumen Summary

Zone	Lumens	Luminaire %
0-30	862	78
0-40	971	88
0-60	1078	98
0-90	1098	100
0-180	1099	100

Illuminance Chart

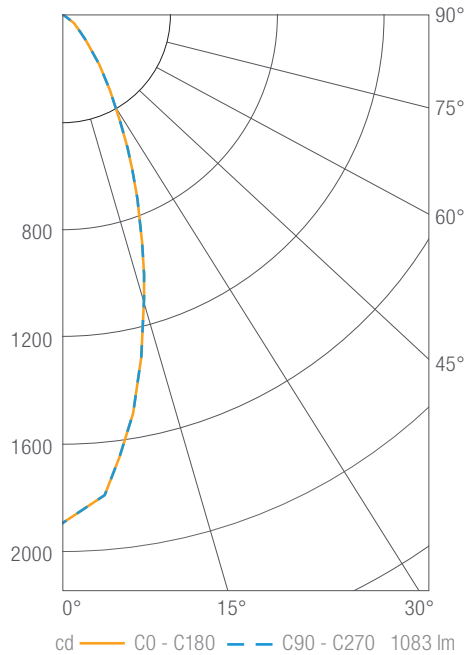
Distance from LED	Foot Candles	Diameter
3'	374	1.4'
6'	93	2.8'
9'	42	4.2'
12'	23	5.6'

Beam Angle: 26°

PHOTOMETRY

ART4D 1000 lm, 3000K, Flood

ART4DM10930FL



Luminous Intensity

Gamma	C 0°
0°	1890
5°	1792
10°	1503
15°	1161
20°	849
25°	589
30°	391
35°	256
40°	162
45°	107
50°	74
55°	51
60°	30
65°	18
70°	8
75°	5
80°	3
85°	1
90°	0

Values in candela

Zonal Lumen Summary

Zone	Lumens	Luminaire %
0-30	760	70
0-40	925	85
0-60	1058	98
0-90	1081	100
0-180	1083	100

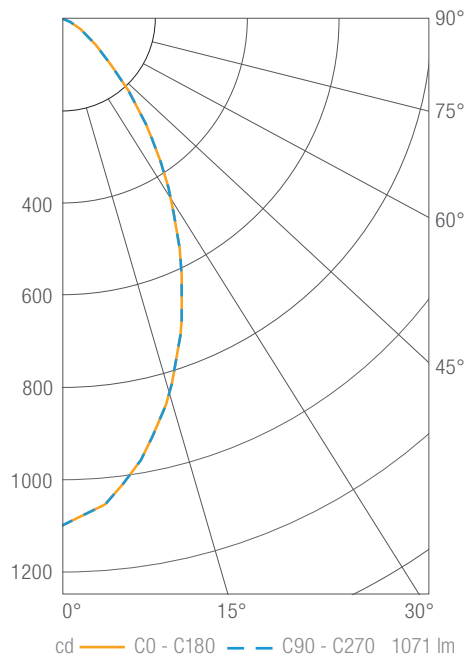
Illuminance Chart

Distance from LED	Foot Candles	Diameter
3'	210	2.0'
6'	52	4.0'
9'	23	6.0'
12'	13	8.0'

Beam Angle: 37°

ART4D 1000 lm, 3000K, Wide Flood

ART4DM10930WF



Luminous Intensity

Gamma	C 0°
0°	1100
5°	1058
10°	973
15°	866
20°	743
25°	609
30°	478
35°	361
40°	252
45°	161
50°	102
55°	68
60°	41
65°	24
70°	11
75°	6
80°	4
85°	2
90°	0

Values in candela

Zonal Lumen Summary

Zone	Lumens	Luminaire %
0-30	620	58
0-40	845	79
0-60	1037	97
0-90	1069	100
0-180	1071	100

Illuminance Chart

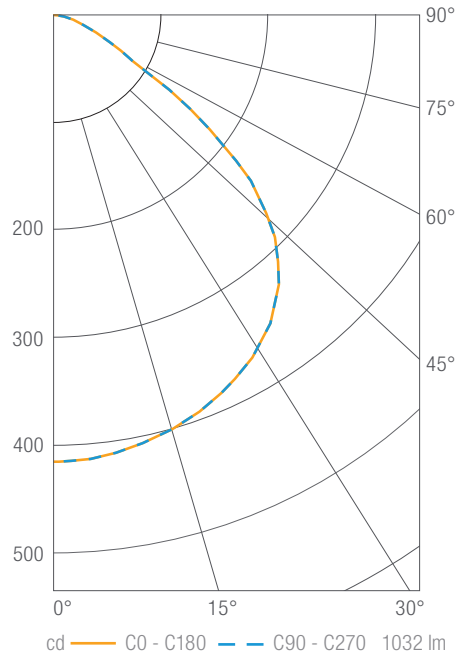
Distance from LED	Foot Candles	Diameter
3'	122	3.1'
6'	31	6.2'
9'	14	9.3'
12'	8	12.3'

Beam Angle: 55°

PHOTOMETRY

ART4D 1000 lm, 3000K, General Ambient

ART4DM10930GA



Luminous Intensity

Gamma	C 0°
0°	416
5°	415
10°	410
15°	403
20°	394
25°	382
30°	369
35°	351
40°	327
45°	291
50°	240
55°	162
60°	84
65°	54
70°	33
75°	21
80°	12
85°	6
90°	1

Values in candela

Zonal Lumen Summary

Zone	Lumens	Luminaire %
0-30	333	32
0-40	557	54
0-60	942	91
0-90	1024	99
0-180	1032	100

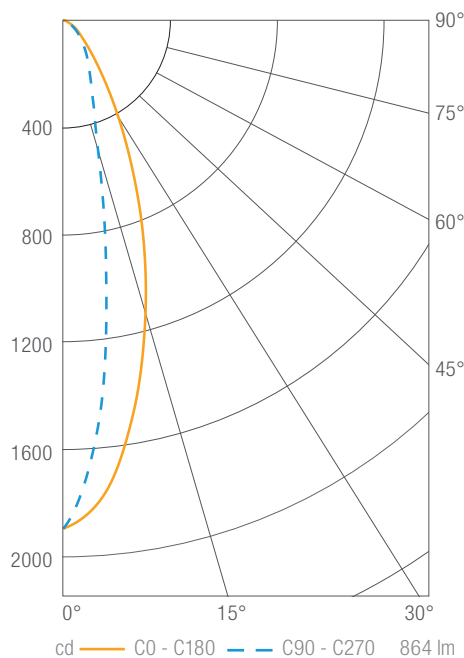
Illuminance Chart

Distance from LED	Foot Candles	Diameter
3'	46	7.8'
6'	12	15.5'
9'	5	23.3'
12'	3	31.1'

Beam Angle: 100°

ART4D 1000 lm, 3000K, Linear Spread

ART4DM10930LS



Luminous Intensity

Gamma	C 0°
0°	1876
5°	1755
10°	1480
15°	1165
20°	868
25°	602
30°	399
35°	258
40°	169
45°	114
50°	82
55°	62
60°	43
65°	24
70°	9
75°	6
80°	4
85°	1
90°	0

Values in candela

Zonal Lumen Summary

Zone	Lumens	Luminaire %
0-30	580	67
0-40	711	82
0-60	836	97
0-90	864	100
0-180	864	100

Illuminance Chart

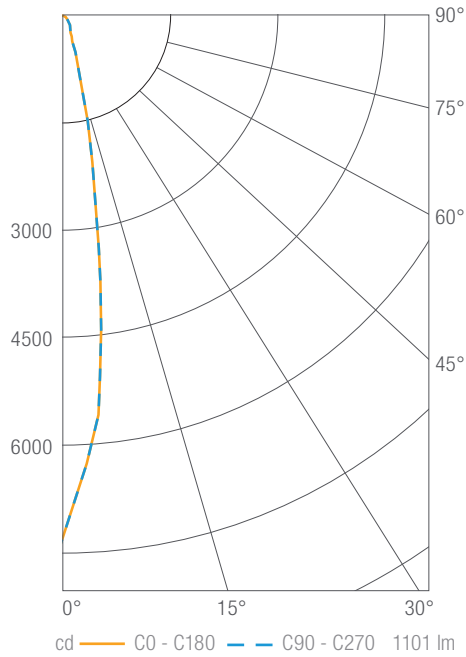
Distance from LED	Foot Candles	Diameter
3'	209	2.1'
6'	52	4.2'
9'	23	6.4'
12'	13	8.5'

Beam Angle: 20°

PHOTOMETRY

ART4D 1000 lm, 3000K, Soft Focus

ART4DM10930SF



Luminous Intensity

Gamma	C 0°
0°	7280
5°	5603
10°	2489
15°	875
20°	381
25°	247
30°	194
35°	161
40°	122
45°	90
50°	64
55°	45
60°	28
65°	16
70°	7
75°	4
80°	2
85°	1
90°	0

Values in candela

Zonal Lumen Summary

Zone	Lumens	Luminaire %
0-30	868	79
0-40	968	88
0-60	1078	98
0-90	1100	100
0-180	1101	100

Illuminance Chart

Distance from LED	Foot Candles	Diameter
3'	809	0.9'
6'	202	1.7'
9'	90	2.6'
12'	51	3.4'

Beam Angle: 16°