

# DRD2 & Classic Frames

## Fixed Downlighting System

New Construction, Remodel, Retrofit  
4", 5", 6" Aperture

Project:	Type:
Product Code:	Date:

V111022



**Modular Design** Flexibility during and after installation with interchangeable modules, optics and trims

**Quick Install** Integrated driver and plug-and-play connection require no wiring

**High Performance** Precise lighting control without sacrificing stellar efficiency

**Enhanced Dimming** Smooth, flicker-free dimming down to 1%

### OPTICAL

#### Delivered Lumens (Power)

750 lm (9.5W), 1000 lm (12.5W),  
1250 lm (14.3W), 1500 lm (18W)

#### Color Quality

93+ CRI, 2-step SDCM

#### Color Temperature

- 2700K ● 3000K ○ 3500K  
○ 4000K ● Warm Dim (3000–1800K)

#### Beam Spread

- ▲ Narrow Spot (15°) ▲ General (90°+)  
▲ Spot (25°) ▲ Linear (40° x 20°)  
▲ Flood (40°) ▲ Soft Focus  
▲ Wide Flood (60°)

### PHYSICAL

#### Application

New Construction, Remodel, Retrofit

#### Aperture

4", 5", 6"

#### Ceiling Thickness

½" up to 1¾"

### TRIMS

#### Available Trims

Beveled, Baffle

#### Trim Finish

White, Black

### ELECTRICAL & CONTROLS

#### Input Voltage

120 / 277V

#### 1% Dimming

TRIAC/ELV, 0-10V, Lutron EcoSystem

### RATINGS

#### Housing

⊗ ASTM E283 Certified Air Tight

⊗ IC (Insulation Contact) Rated

#### Module

⊗ UL Listed for Wet Location



## PRODUCT BUILDER

### CLASSIC HOUSING

PRODUCT CODE		CONSTRUCTION		IC/NON-IC		APERTURE		DIMMING		OPTION	
<input type="text"/>		<input type="text"/>		<input type="text"/>		<input type="text"/>		<input type="text"/>		<input type="text"/>	
<b>DRDH</b>	Housing	<b>N</b>	New Construction	<b>IC</b>	Insulation Contact	<b>4</b>	4" Aperture	<b>[Blank]</b>	Integrated TRIAC/ELV	<b>[Blank]</b>	None
		<b>R</b>	Remodel			<b>4S</b>	4" Shallow	<b>-O</b>	Integrated 0-10V	<b>EM</b>	Emergency Battery <sup>4</sup>
						<b>6</b>	6" Aperture <sup>1</sup>	<b>7O</b>	0-10V <sup>2</sup> for EM, 750 lm		
								<b>10O</b>	0-10V <sup>2</sup> for EM, 1000 lm		
								<b>10OW</b>	0-10V <sup>2</sup> for EM, 1000 lm, Warm Dim		
								<b>12O</b>	0-10V <sup>2</sup> for EM, 1250 lm		
								<b>7C</b>	Lutron EcoSystem <sup>3</sup> , 750 lm		
								<b>10C</b>	Lutron EcoSystem <sup>3</sup> , 1000 lm		
								<b>10CW</b>	Lutron EcoSystem <sup>3</sup> , 1000 lm, Warm Dim		
								<b>12C</b>	Lutron EcoSystem <sup>3</sup> , 1250 lm		

### DRD2 MODULE

PRODUCT CODE		LUMENS		CRI		CCT		BEAM SPREAD		DIMMING	
<input type="text"/>		<input type="text"/>		<input type="text"/>		<input type="text"/>		<input type="text"/>		<input type="text"/>	
<b>DRD2M</b>	Module	<b>07</b>	750 lm	<b>9</b>	93+ CRI	<b>27</b>	2700K	<b>GA</b>	General Ambient (90°+)	<b>T</b>	Integrated TRIAC/ELV
		<b>10</b>	1000 lm			<b>30</b>	3000K	<b>NS</b>	Narrow Spot (15°) <sup>6</sup>		
		<b>12</b>	1250 lm			<b>35</b>	3500K	<b>SP</b>	Spot (25°)	<b>O</b>	Integrated 0-10V
		<b>15</b>	1500 lm			<b>40</b>	4000K	<b>FL</b>	Flood (40°)		
						<b>3W</b>	Warm Dim <sup>5</sup>	<b>WF</b>	Wide Flood (60°)	<b>A</b>	Alternate <sup>7</sup> for use with EM or Lutron EcoSystem
								<b>LS</b>	Linear Spread (40° x 20°)		
								<b>SF</b>	Soft Focus		

### CLASSIC TRIM

PRODUCT CODE		SHAPE		APERTURE		STYLE		FINISH	
<input type="text"/>		<input type="text"/>		<input type="text"/>		<input type="text"/>		<input type="text"/>	
<b>DRD2T</b>	Trim	<b>R</b>	Round	<b>4</b>	4" Aperture	<b>S</b>	Beveled	<b>WH</b>	White
				<b>5</b>	5" Aperture <sup>8</sup>	<b>B</b>	Baffle <sup>9</sup>	<b>BK</b>	Black
				<b>6</b>	6" Aperture				

<sup>1</sup> Only available in Remodel construction

<sup>2</sup> Only available in Emergency Battery option

<sup>3</sup> Lutron EcoSystem refers to LDE1 Hi-lume 1% EcoSystem LED driver with Soft-on, Fade-to-Black™

<sup>4</sup> Only available in 0-10V or Lutron EcoSystem dimming

<sup>5</sup> Only available in 1000 lm

<sup>6</sup> Not available in Warm Dim CCT

<sup>7</sup> Not available in 1500 lm

<sup>8</sup> Only available for Retrofit

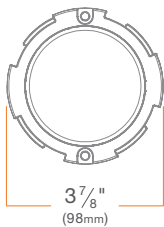
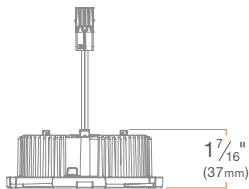
<sup>9</sup> Only available in White finish

## PRODUCT BUILDER

### ACCESSORIES

PRODUCT CODE	
<input type="text"/>	
<b>DRD2X-GA</b>	Conversion Kit: DRD2 Module to General Ambient (90°+)
<b>DRD2X-NS</b>	Narrow Spot (15°)
<b>DRD2X-SP</b>	Spot (25°)
<b>DRD2X-FL</b>	Flood (40°)
<b>DRD2X-WF</b>	Wide Flood (60°)
<b>DRD2X-LS</b>	Linear Spread (40° x 20°)
<b>DRD2X-SF</b>	Soft Focus
<b>DRD2X-OP</b>	Optics Kit: Narrow Spot (15°), Spot (25°), Flood (40°), Wide Flood (60°), Linear Spread (40° x 20°), Soft Focus
<b>DRD2X-QCM-ED</b>	Edison Adapter
<b>DRD2X-QCM-GU</b>	GU-24 Adapter
<b>DRD2X-QCM-M</b>	PowerPlug® Luminaire Disconnect Male Adapter

## MODULE



## DRD2

Fixed Downlight

### DRD2M

#### SUMMARY

**LED CHIP:** Cree

**DELIVERED LUMENS (w Trim):** 750 lm (9.5W), 1000 lm (12.5W), 1250 lm (14.3W), 1500 lm (18W)

**EFFICACY:** 79 lm/W, 80 lm/W, 87 lm/W, 83 lm/W

**COLOR QUALITY:** 93+ CRI, 2-step SDCM

**CCT:** 2700K, 3000K, 3500K, 4000K

**BEAM SPREAD:** General Ambient (90°+), Narrow Spot (15°), Spot (25°), Flood (40°), Wide Flood (60°), Linear Spread (40° x 20°), Soft Focus

**CONNECTOR:** PowerPlug® Luminaire Disconnect Model 182

**INPUT VOLTAGE:** 120/277V, 50/60Hz

**DIMMING:** Down to less than 1% for TRIAC/ELV at 120V, 0-10V or Lutron EcoSystem at 120/277V

**MAX INPUT CURRENT (120V):** 0.090 amps, 0.107 amps

**MAX INPUT CURRENT (277V):** 0.042 amps, 0.050 amps

**POWER FACTOR:** Greater than 0.9

**TOTAL HARMONIC DISTORTION:** Less than 20%

**AMBIENT OPERATING TEMPERATURE:** -20°C to 40°C

**PHOTOMETRIC TESTING:** Tested in accordance to IESNA LM-79-2008

**LISTINGS:** ENERGY STAR® qualified, California Title 24 2016 JA8 compliant, UL Listed for Wet Location (flanged trims only), cULus Listed, Declare

**LIFETIME:** 50,000 hours at 70% lumen maintenance

**WARRANTY:** 5 year limited warranty

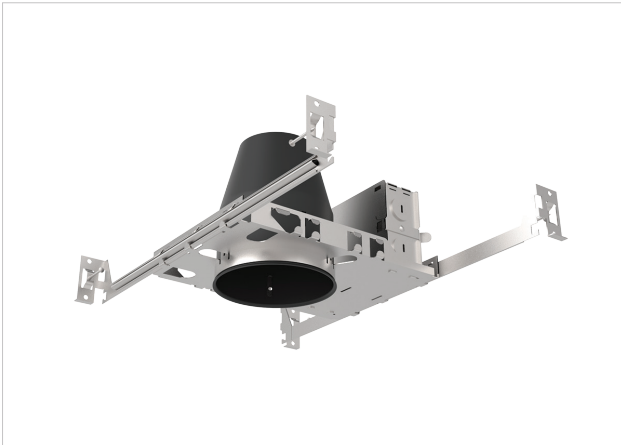
#### WARM DIM OPTION

**LED:** Bridgelux LED, **DELIVERED LUMENS (w Trim):** 1000 lm (12.0W),

**EFFICACY:** 83 lm/W, **CCT RANGE:** 3000K - 1800K, **MAX INPUT**

**CURRENT (120V):** 0.11 amps, **MAX INPUT CURRENT (277V):** 0.047 amps

## HOUSING



## Classic Frames

New Construction

4" Aperture

**DRDHN**

### SUMMARY

**HOUSING:** 18 ga. die-formed aluminum box fastened to 22 ga. steel mounting frame

**JUNCTION BOX:** Galvanized steel. Equipped with (6) 1/2" and (1) 3/4" knockouts with pryout slots to allow straight conduit runs. (4) knockouts for non-metallic sheathed cable installation. Junction box tension spring allows snap-in installation of plate cover for easy access to wiring. Approved for 8 (four-in, four-out) #12 AWG 90 through wire conductors.

**MOUNTING:** Pre-installed adjustable bar hangers engineered to accommodate lumber, laminated beams and T-bar

**CEILING:** 1/2" up to 1"

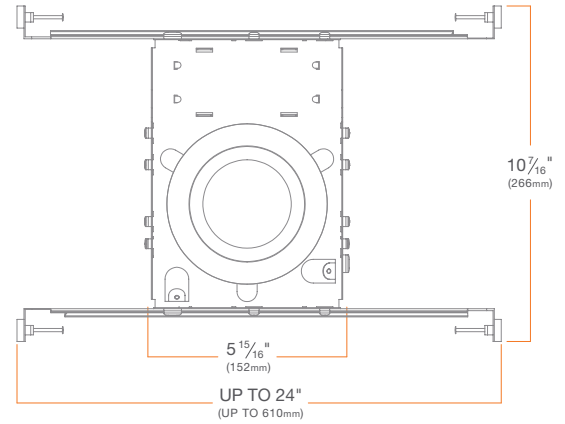
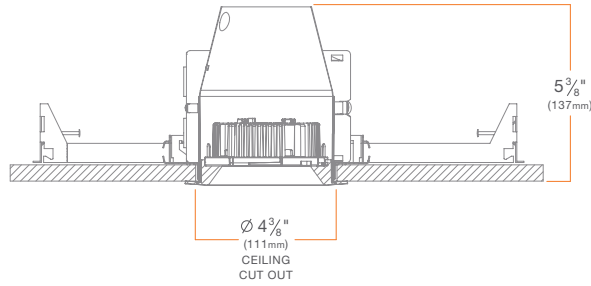
**CUTOUT:** 4 3/8"

**LISTINGS:** ASTM E283 certified Air Tight, IC (Insulation Contact) rated.

**WARRANTY:** 1 year limited warranty

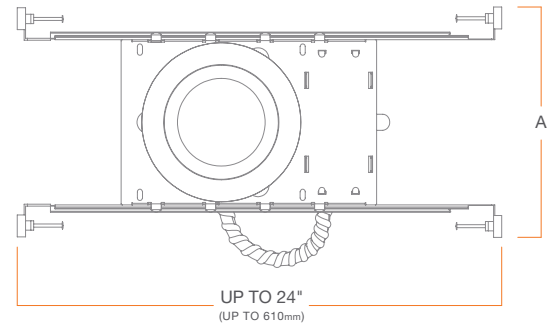
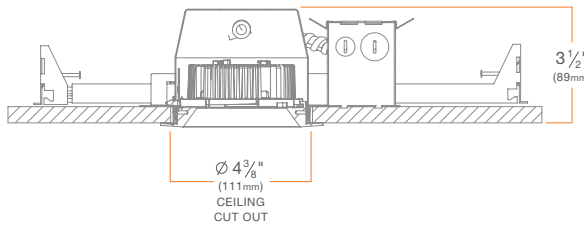
## 4" Housing

### DRDHNIC4



## 4" Shallow Housing

### DRDHNIC4S



### DRDHNIC4S Measurements

A

Standard	7 <sup>1</sup> / <sub>4</sub> " [184 mm]
Alternate Dimming	12 <sup>1</sup> / <sub>4</sub> " [311 mm]

## HOUSING



## Classic Frames

Remodel

4", 6" Aperture

**DRDHR**

### SUMMARY

**HOUSING:** Die-formed steel with powder coat finish (4" housing), 22 ga. die-formed aluminum (6" housing).

**JUNCTION BOX:** Galvanized steel. Equipped with (6) 1/2" and (1) 3/4" knockouts with pryout slots to allow straight conduit runs (4" housing), equipped with (5) 1/2" and (2) 3/4" knockouts with pryout slots to allow straight conduit runs (5", 6" housing). (4) knockouts for non-metallic sheathed cable installation. Junction box tension spring allows snap-in installation of plate cover for easy access to wiring. Approved for 8 (four-in, four-out) #12 AWG 90 through wire conductors.

**MOUNTING:** (4) tempered steel spring clips secure housing to ceiling.

**CEILING:** 1/2" up to 1"

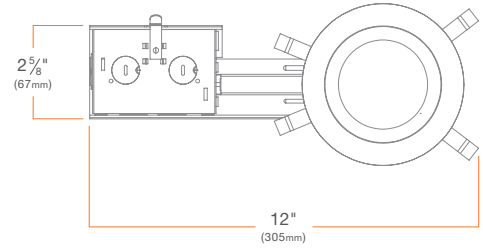
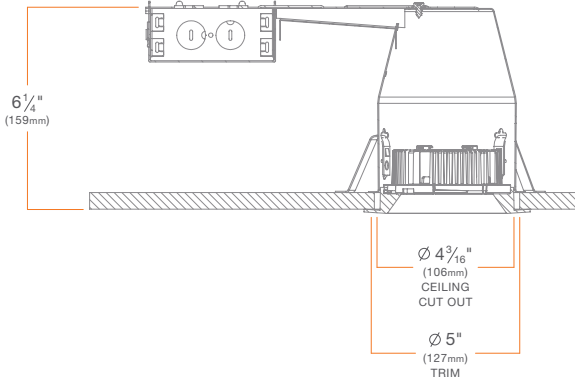
**CUTOUT:** 4 3/8" (4" housing), 6 3/8" (6" housing).

**LISTINGS:** ASTM E283 certified Air Tight, IC (Insulation Contact) rated.

**WARRANTY:** 1 year limited warranty

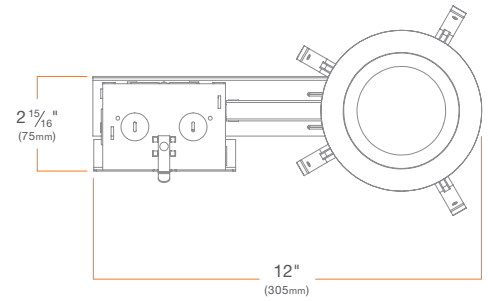
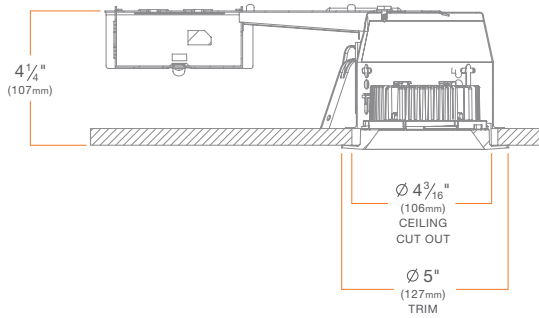
4" Housing

DRDHRIC4



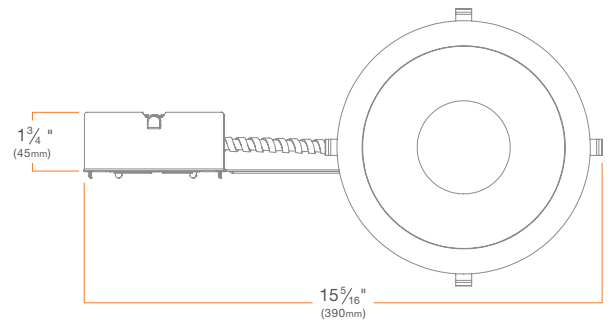
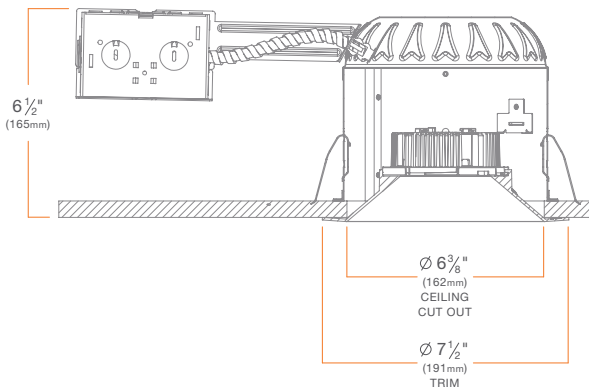
4" Shallow Housing

DRDHRIC4S



6" Housing

DRDHRIC6





TRIM



Classic Trims

4", 5", 6" Aperture

DRD2T

SUMMARY

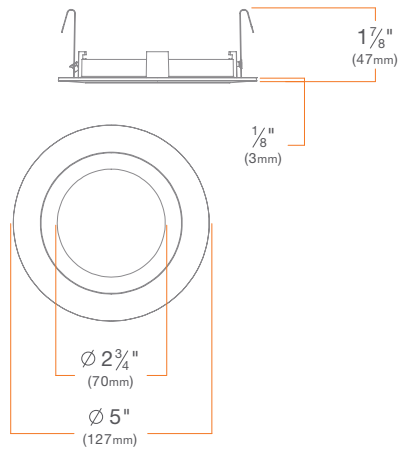
CONSTRUCTION: Die-cast aluminum

INSTALLATION: Twist & Lock

4" Round Trim

Beveled: DRD2TR4SWH

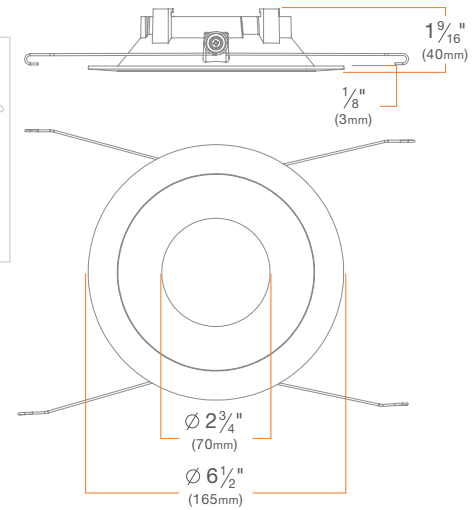
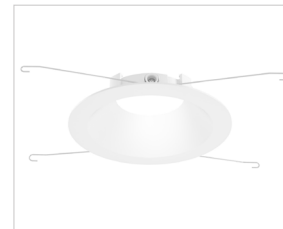
Baffle: DRD2TR4BWH



5" Round Trim

Beveled: DRD2TR5SWH

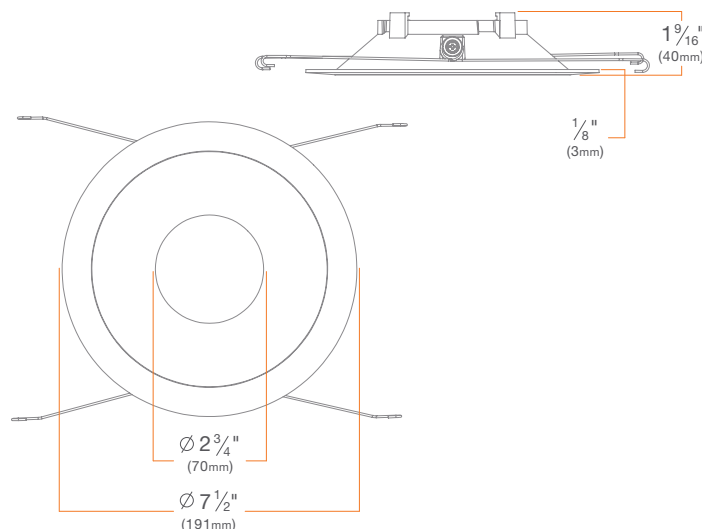
Baffle: DRD2TR5BWH



6" Round Trim

Beveled: DRD2TR6SWH

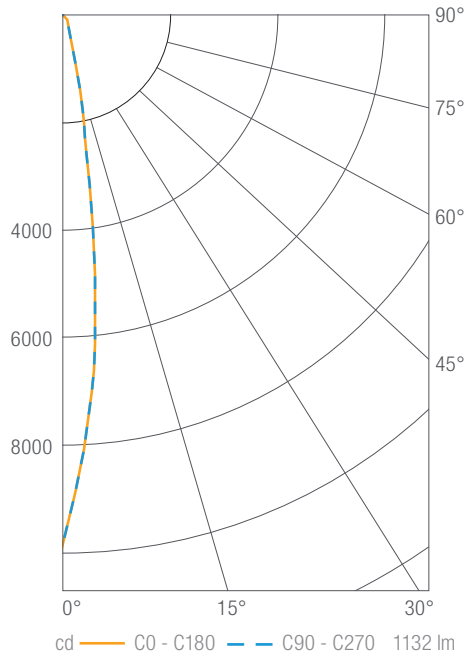
Baffle: DRD2TR6BWH



## PHOTOMETRY

### DRD2 1000 lm, 3000K, Narrow Spot

DRD2M10930NS



#### Luminous Intensity

Gamma	C 0°
0°	9823
5°	6600
10°	2335
15°	734
20°	357
25°	244
30°	195
35°	159
40°	116
45°	85
50°	61
55°	42
60°	28
65°	16
70°	7
75°	4
80°	2
85°	1
90°	0

Values in candela

#### Zonal Lumen Summary

Zone	Lumens	Luminaire %
0-30	906	80
0-40	1004	89
0-60	1110	98
0-90	1131	100
0-180	1132	100

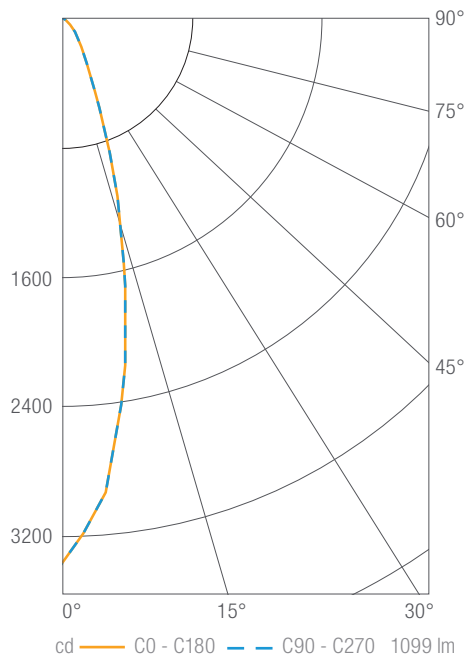
#### Illuminance Chart

Distance from LED	Foot Candles	Diameter
3'	1091	0.7'
6'	273	1.5'
9'	121	2.2'
12'	68	2.9'

Beam Angle: 14°

### DRD2 1000 lm, 3000K, Spot

DRD2M10930SP



#### Luminous Intensity

Gamma	C 0°
0°	3366
5°	2967
10°	2203
15°	1391
20°	775
25°	419
30°	248
35°	167
40°	119
45°	87
50°	62
55°	43
60°	26
65°	15
70°	7
75°	4
80°	2
85°	1
90°	0

Values in candela

#### Zonal Lumen Summary

Zone	Lumens	Luminaire %
0-30	862	78
0-40	971	88
0-60	1078	98
0-90	1098	100
0-180	1099	100

#### Illuminance Chart

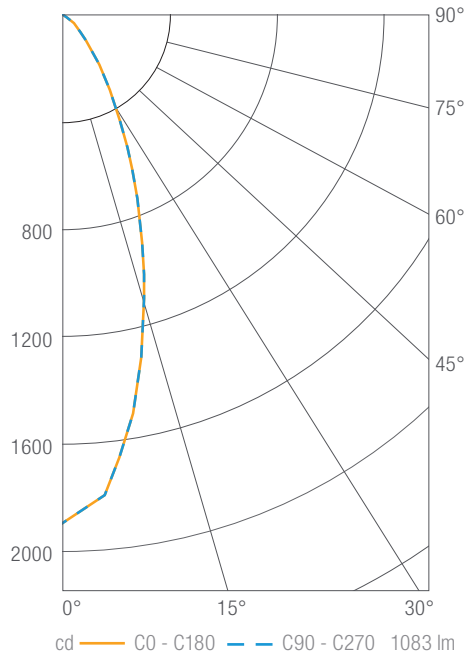
Distance from LED	Foot Candles	Diameter
3'	374	1.4'
6'	93	2.8'
9'	42	4.2'
12'	23	5.6'

Beam Angle: 26°

## PHOTOMETRY

### DRD2 1000 lm, 3000K, Flood

DRD2M10930FL



Luminous Intensity

Gamma	C 0°
0°	1890
5°	1792
10°	1503
15°	1161
20°	849
25°	589
30°	391
35°	256
40°	162
45°	107
50°	74
55°	51
60°	30
65°	18
70°	8
75°	5
80°	3
85°	1
90°	0

Values in candela

Zonal Lumen Summary

Zone	Lumens	Luminaire %
0-30	760	70
0-40	925	85
0-60	1058	98
0-90	1081	100
0-180	1083	100

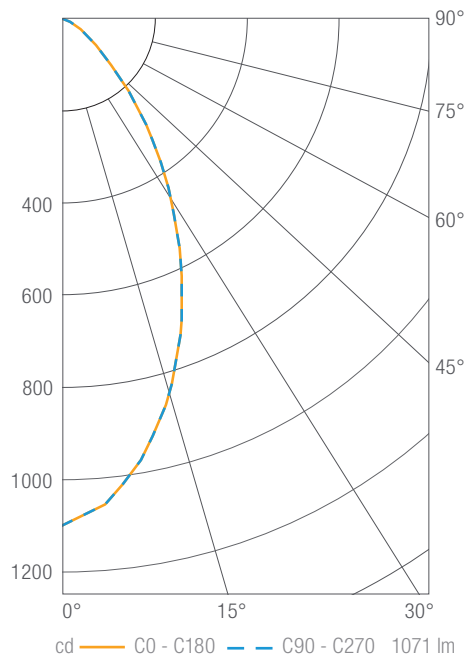
Illuminance Chart

Distance from LED	Foot Candles	Diameter
3'	210	2.0'
6'	52	4.0'
9'	23	6.0'
12'	13	8.0'

Beam Angle: 37°

### DRD2 1000 lm, 3000K, Wide Flood

DRD2M10930WF



Luminous Intensity

Gamma	C 0°
0°	1100
5°	1058
10°	973
15°	866
20°	743
25°	609
30°	478
35°	361
40°	252
45°	161
50°	102
55°	68
60°	41
65°	24
70°	11
75°	6
80°	4
85°	2
90°	0

Values in candela

Zonal Lumen Summary

Zone	Lumens	Luminaire %
0-30	620	58
0-40	845	79
0-60	1037	97
0-90	1069	100
0-180	1071	100

Illuminance Chart

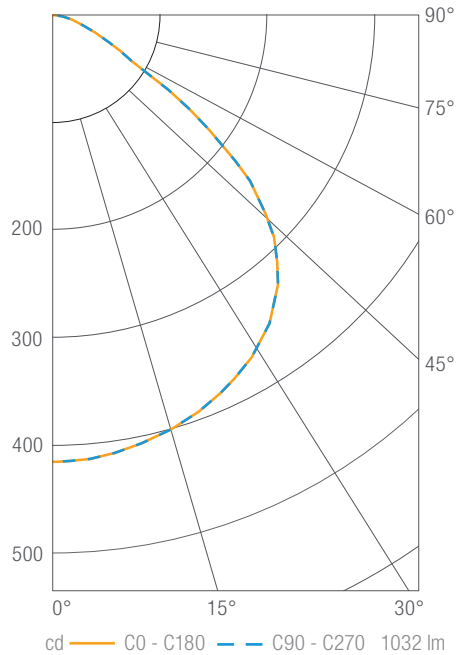
Distance from LED	Foot Candles	Diameter
3'	122	3.1'
6'	31	6.2'
9'	14	9.3'
12'	8	12.3'

Beam Angle: 55°

## PHOTOMETRY

### DRD2 1000 lm, 3000K, General Ambient

DRD2M10930GA



Luminous Intensity

Gamma	C 0°
0°	416
5°	415
10°	410
15°	403
20°	394
25°	382
30°	369
35°	351
40°	327
45°	291
50°	240
55°	162
60°	84
65°	54
70°	33
75°	21
80°	12
85°	6
90°	1

Values in candela

Zonal Lumen Summary

Zone	Lumens	Luminaire %
0-30	333	32
0-40	557	54
0-60	942	91
0-90	1024	99
0-180	1032	100

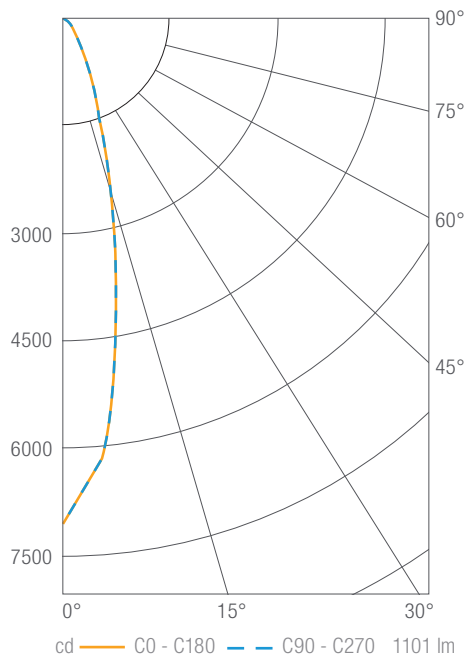
Illuminance Chart

Distance from LED	Foot Candles	Diameter
3'	46	7.8'
6'	12	15.5'
9'	5	23.3'
12'	3	31.1'

Beam Angle: 100°

### DRD2 1000 lm, 3000K, Soft Focus

DRD2M10930SF



Luminous Intensity

Gamma	C 0°
0°	7280
5°	5603
10°	2489
15°	875
20°	381
25°	247
30°	194
35°	161
40°	122
45°	90
50°	64
55°	45
60°	28
65°	16
70°	7
75°	4
80°	2
85°	1
90°	0

Values in candela

Zonal Lumen Summary

Zone	Lumens	Luminaire %
0-30	868	79
0-40	968	88
0-60	1078	98
0-90	1100	100
0-180	1101	100

Illuminance Chart

Distance from LED	Foot Candles	Diameter
3'	809	0.9'
6'	202	1.7'
9'	90	2.6'
12'	51	3.4'

Beam Angle: 16°