

DRD2 & OneFrame

Fixed Downlighting System

New Construction
Deep Junction Box



Project:	Type:
Product Code:	Date:

V051822

Modular Design Flexibility during and after installation with interchangeable modules, optics and trims

Quick Install Integrated driver and plug-and-play connection require no wiring

High Performance Precise lighting control without sacrificing stellar efficiency

Enhanced Dimming Smooth, flicker-free dimming down to 1%

OPTICAL

Delivered Lumens (Power)

750 lm (9.5W), 1000 lm (12.5W),
1250 lm (14.3W)

Color Quality

93+ CRI, 2-step SDCM

Color Temperature

- 2700K 3000K 3500K
 4000K Warm Dim (3000–1800K)

Beam Spread

- Narrow Spot (15°) General (90°+)
 Spot (25°) Linear (40° x 20°)
 Flood (40°) Soft Focus
 Wide Flood (60°)

PHYSICAL

Application

New Construction, Poured Concrete

Aperture

4" Octagonal Deep Junction Box

Ceiling Thickness

½" up to 1¾"

TRIMS

Available Trims

Round Beveled, Square, Hyperbolic, Pinhole, Beveled Pinhole, Wall Wash, Decorative, Flangeless, Dead Front

Trim Finish

White, Black, Silver, Custom

ELECTRICAL & CONTROLS

Input Voltage

120/277V

1% Dimming

TRIAC/ELV, 0-10V, Lutron EcoSystem

RATINGS

Housing

- Code compliant for use in fire-rated assemblies up to a maximum of 2-hours
- STC/IIC Sound Rated
- ASTM E283 Certified Air Tight
- IC (Insulation Contact) Rated

Module

- UL Listed for Wet Location



PRODUCT BUILDER

ONEFRAME HOUSING

PRODUCT CODE		APPLICATION		APERTURE		DIMMING		OPTION	
DRDH	Housing	N	New Construction	JD	Deep Junction Box	[Blank]	Integrated	[Blank]	None
				JC	Deep Junction Box, Concrete Tight ¹	70	0-10V ² , 750 lm	EM	Emergency Battery ⁴ , Integrated Test Switch
						100	0-10V ² , 1000 lm	EMS	Emergency Battery ⁴ , Remote Test Switch
						100W	0-10V ² , 1000 lm, Warm Dim		
						120	0-10V ² , 1250 lm		
						7C	Lutron EcoSystem ³ , 750 lm		
						10C	Lutron EcoSystem ³ , 1000 lm		
						10CW	Lutron EcoSystem ³ , 1000 lm, Warm Dim		
						12C	Lutron EcoSystem ³ , 1250 lm		

DRD2 MODULE

PRODUCT CODE		LUMENS		CRI		CCT		BEAM SPREAD		DIMMING	
DRD2M	Module	07	750 lm	9	93+ CRI	27	2700K	GA	General Ambient (90°+)	T	Integrated TRIAC/ELV
		10	1000 lm			30	3000K	NS	Narrow Spot (15°) ⁶	O	Integrated 0-10V
		12	1250 lm			35	3500K	SP	Spot (25°)		
						40	4000K	FL	Flood (40°)	A	Alternate for use with EM or Lutron EcoSystem
						3W	Warm Dim ⁵	WF	Wide Flood (60°)		
								LS	Linear Spread (40° x 20°)		
								SF	Soft Focus		

ONEFRAME TRIM

PRODUCT CODE		SHAPE		APERTURE		STYLE		FINISH		OPTION	
DRD2T	Trim	R	Round	JD	Deep Junction Box	S	Beveled	WH	White	[Blank]	None
		S	Square ⁷			H	Hyperbolic ⁸	BK	Black	DOF	Decorative: Open, Frosted ^{8,9,10}
						P	Pinhole ⁸	SW	Silver Reflector, White Flange	DCF	Decorative: Closed, Frosted ^{8,9,10}
						B	Beveled Pinhole ⁸	CC	Custom Color	DCC	Decorative: Closed, Clear, Frosted Side ^{8,9,10}
						W	Wall Wash ⁸			DCCF	Decorative: Closed, Clear, Frosted Inside ^{8,9,10}
										FL	Flangeless ^{8,9,11}
										DF	Dead Front ^{8,9,10,12}
										EM	Emergency ^{8,9,10}

DRDHX-MUD-FL Flangeless Mud Plate (Required for Flangeless Trim)

PRODUCT BUILDER

OPTICS ACCESSORIES

PRODUCT CODE	
<input type="text"/>	
DRD2X-GA	Conversion Kit: DRD2 Module to General Ambient (90°+)
DRD2X-NS	Narrow Spot (15°)
DRD2X-SP	Spot (25°)
DRD2X-FL	Flood (40°)
DRD2X-WF	Wide Flood (60°)
DRD2X-LS	Linear Spread (40° x 20°)
DRD2X-SF	Soft Focus
DRD2X-OP	Optics Kit: Narrow Spot (15°), Spot (25°), Flood (40°), Wide Flood (60°), Linear Spread (40° x 20°), Soft Focus

¹ Only available in Integrated dimming

² Only available in Emergency Battery option

³ Lutron EcoSystem refers to LDE1 Hi-lume 1% EcoSystem LED driver with Soft-on, Fade-to-Black™

⁴ Only available in 0-10V or Lutron EcoSystem dimming

⁵ Only available in 1000 lm

⁶ Not available in Warm Dim CCT

⁷ Only available in Beveled or Wall Wash style

⁸ Only available in White or Custom Color finish

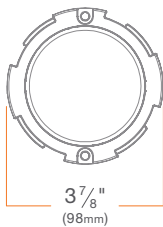
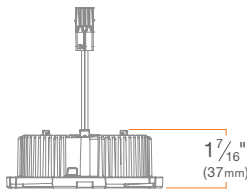
⁹ Only available in Round shape

¹⁰ Only available in Beveled style

¹¹ Requires DRDHX-MUD-FL Mud Plate

¹¹ Only available in 750 lm

MODULE



DRD2

Fixed Downlight

DRD2M

SUMMARY

LED CHIP: Cree

DELIVERED LUMENS (w Trim): 750 lm (9.5W), 1000 lm (12.5W), 1250 lm (14.3W)

EFFICACY: 79 lm/W, 80 lm/W, 87 lm/W

COLOR QUALITY: 93+ CRI, 2-step SDCM

CCT: 2700K, 3000K, 3500K, 4000K

BEAM SPREAD: General Ambient (90°+), Narrow Spot (15°), Spot (25°), Flood (40°), Wide Flood (60°), Linear Spread (40° x 20°), Soft Focus

CONNECTOR: PowerPlug® Luminaire Disconnect Model 182

INPUT VOLTAGE: 120/277V, 50/60Hz

DIMMING: Down to less than 1% for TRIAC/ELV at 120V, 0-10V or Lutron EcoSystem at 120/277V

MAX INPUT CURRENT (120V): 0.090 amps, 0.107 amps

MAX INPUT CURRENT (277V): 0.042 amps, 0.050 amps

POWER FACTOR: Greater than 0.9

TOTAL HARMONIC DISTORTION: Less than 20%

AMBIENT OPERATING TEMPERATURE: -20°C to 40°C

PHOTOMETRIC TESTING: Tested in accordance to IESNA LM-79-2008

LISTINGS: ENERGY STAR® qualified*, California Title 24 2016 JA8 compliant, UL Listed for Wet Location (flanged trims only), cULus Listed, Declare

LIFETIME: 50,000 hours at 70% lumen maintenance

WARRANTY: 5 year limited warranty

WARM DIM OPTION

LED: Bridgelux LED, **DELIVERED LUMENS (w Trim):** 1000 lm (12.0W),

EFFICACY: 83 lm/W, **CCT RANGE:** 3000K - 1800K, **MAX INPUT**

CURRENT (120V): 0.11 amps, **MAX INPUT CURRENT (277V):** 0.047 amps

**Excludes Pinhole and Wall Wash Trims*

HOUSING



OneFrame

New Construction
 Deep Junction Box
DRDHNJD

SUMMARY

JUNCTION BOX: Equipped with (8) trade size knockouts (four concentric side ($\frac{3}{4}'' + \frac{1}{2}''$), two concentric top ($\frac{3}{4}'' + \frac{1}{2}''$), two $\frac{1}{2}''$ top) and (4) Romex knockouts (top) to allow straight conduit runs. Approved for 8 (four in, four out) #12 AWG 70°C.

MOUNTING: Pre-installed mounting brackets allow vertical adjustment of bar hangers up to 1".

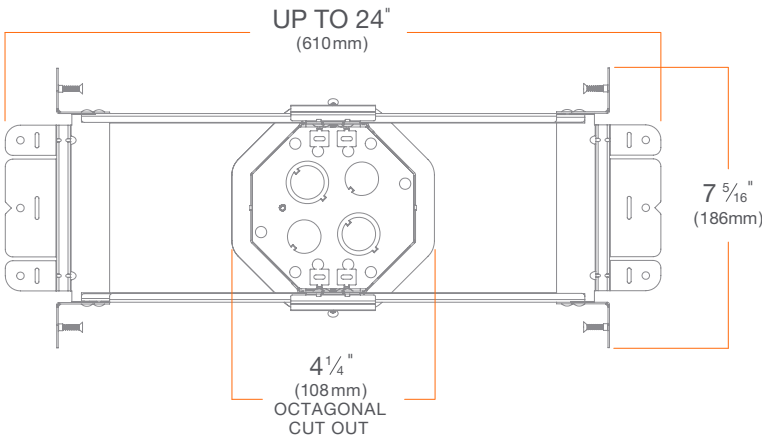
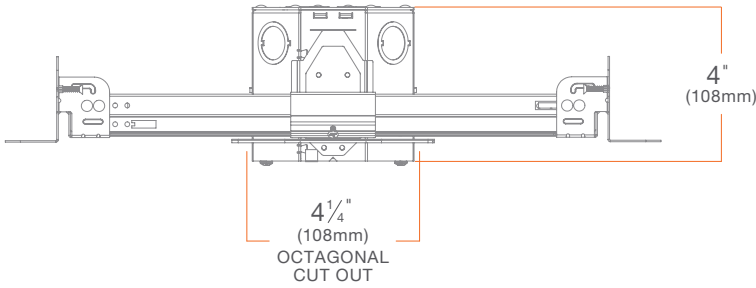
CEILING: $\frac{1}{2}''$ up to $1 \frac{3}{4}''$

CUTOUT: $4 \frac{1}{4}''$ (108mm) octagonal opening

LISTINGS: Metallic outlet box certified UL514A, code compliant for use in appropriate fire-rated assemblies for up to 2-hours, STC/IIC Sound Rated, ASTM E283 certified Air Tight, IC (Insulation Contact) rated.

MAINTENANCE: Fully accessible from below the ceiling for inspection and maintenance.

WARRANTY: 5 year limited warranty



HOUSING - Concrete Tight



OneFrame

Concrete Tight
Deep Junction Box
DRDHNJC

- Designed for high rise structures that require steel and concrete for reinforcement
- Features spot-welded areas and adaptations for poured concrete applications

SUMMARY

JUNCTION BOX: Equipped with (4) trade size concentric knockouts ($\frac{3}{4}'' + \frac{1}{2}''$) to allow straight conduit runs. Approved for 8 (four in, four out) #12 AWG 90°C.

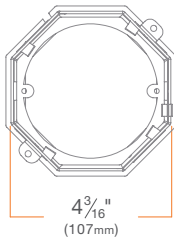
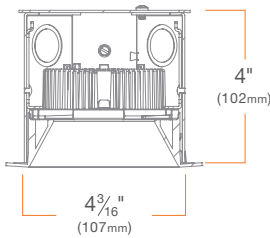
MOUNTING: (2) external tabs for wood, steel or concrete form mounting

COVER: Removable top cover for easy access to electrical wiring work prior to concrete pour

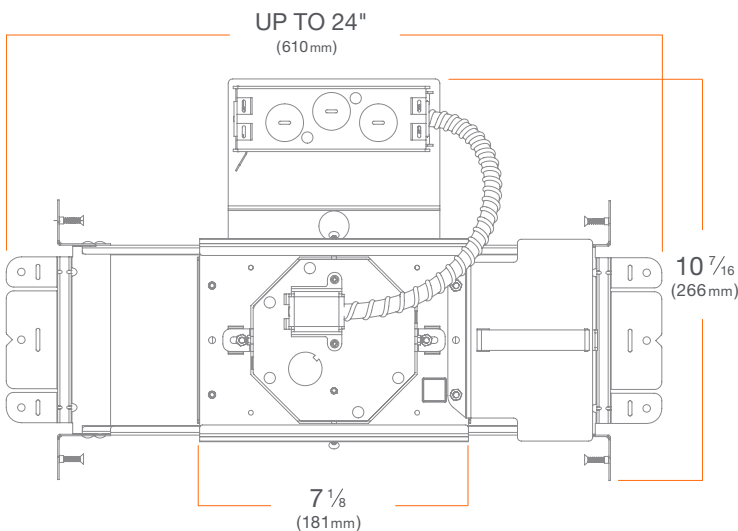
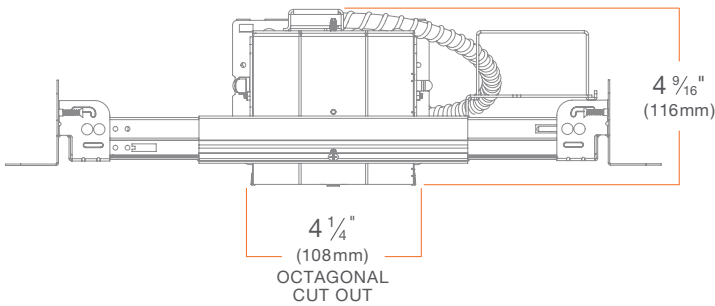
APPLICATION: Poured deck (floor) high-rise new construction

LISTINGS: Metallic outlet box certified UL514A, concrete tight, code compliant for use in appropriate fire-rated assemblies for up to 2-hours, STC/IIC Sound Rated, ASTM E283 certified Air Tight

WARRANTY: 5 year limited warranty



HOUSING - Emergency Lighting or Lutron EcoSystem Dimming



OneFrame

Lutron EcoSystem Dimming

Deep Junction Box

DRDHNJD

- Offers compatible dimming with Lutron EcoSystem Hi-Lume® 1% protocol

SUMMARY

JUNCTION BOX: Equipped with (2) trade size concentric top knockouts (³/₄" + ¹/₂") to allow straight conduit runs. Approved for 2 (one in, one out) #12 AWG 70°C.

MOUNTING: Pre-installed mounting brackets allow vertical adjustment of bar hangers up to 1".

CEILING: ¹/₂" up to 1 ³/₄"

CUTOUT: 4 ¹/₄" (108mm) octagonal opening

LISTINGS: Metallic outlet box certified UL514A, code compliant for use in appropriate fire-rated assemblies for up to 2-hours, STC/IIC Sound Rated, ASTM E283 certified Air Tight, IC (Insulation Contact) rated

INPUT VOLTAGE: 120/277V, 50/60Hz

MAX INPUT CURRENT (120V): 0.090 amps (750 lm), 0.107 amps (1000 lm), 0.11 amps (1000 lm Warm Dim)

MAX INPUT CURRENT (277V): 0.042 amps (750 lm), 0.050 amps (1000 lm), 0.047 amps (1000 lm Warm Dim)

POWER FACTOR: Greater than 0.9

TOTAL HARMONIC DISTORTION: Less than 20%

WARRANTY: 5 year limited warranty

TRIM



OneFrame Trims

Recessed LED Downlight Trims

DRD2T

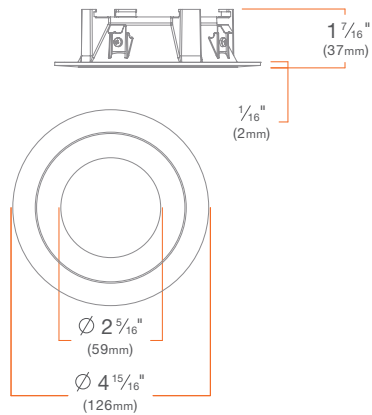
SUMMARY

CONSTRUCTION: Die-cast aluminum

INSTALLATION: Twist & Lock (flanged trims only)

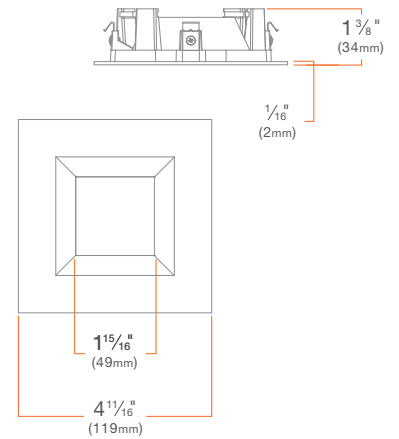
Beveled Trim

DRD2TRJDSWH



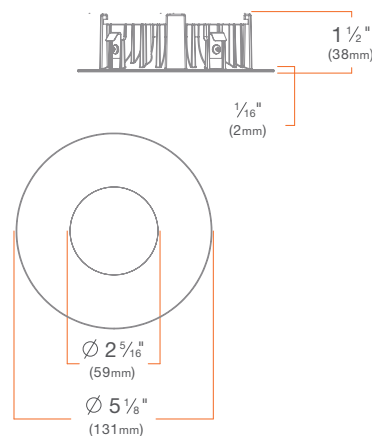
Square Trim

DRD2TSJDSWH



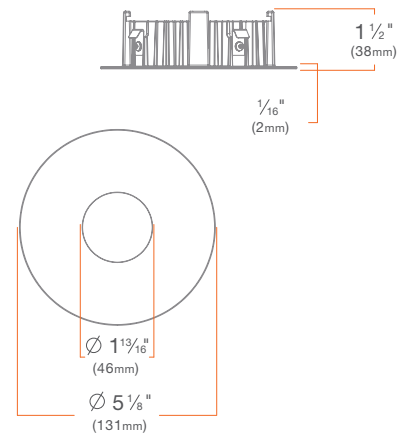
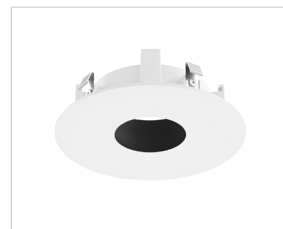
Hyperbolic Trim

DRD2TRJDHWH



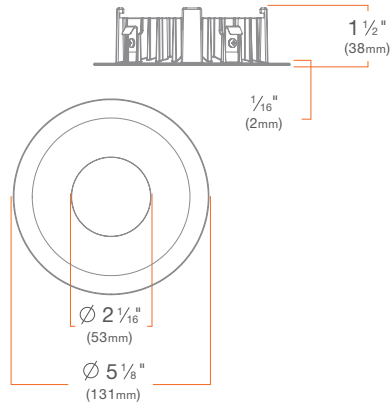
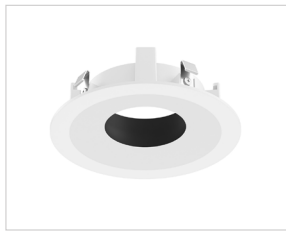
Pinhole Trim

DRD2TRJDPWH



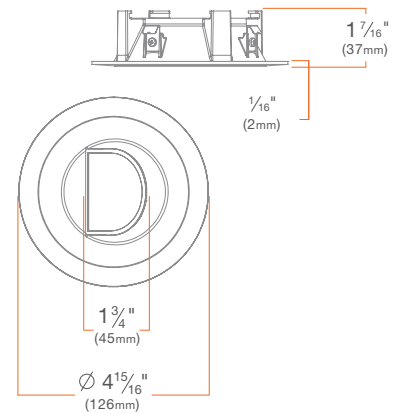
Beveled Pinhole Trim

DRD2TRJDBWH



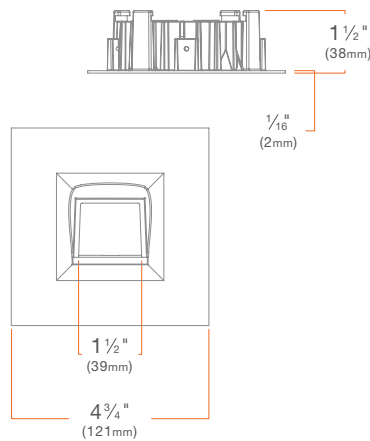
Round Wall Wash Trim

Round: DRD2TRJDWWH



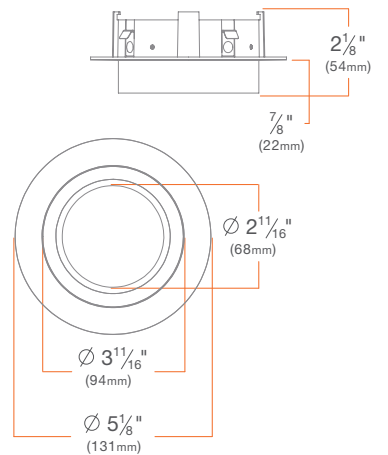
Square Wall Wash Trim

Square: DRD2TSJDWWH



Decorative Open Trim

Frosted: DRD2TRJDSWHD OF

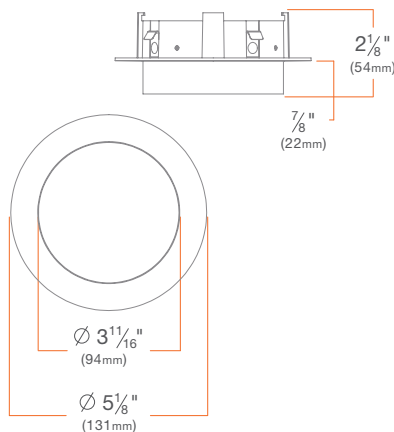


Decorative Closed Trim

Frosted: DRD2TRJDSWHD CF

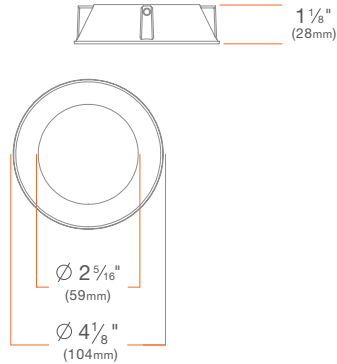
Clear, Frosted Inside: DRD2TRJDSWHD CC

Clear, Frosted Sides: DRD2TRJDSWHD CC F



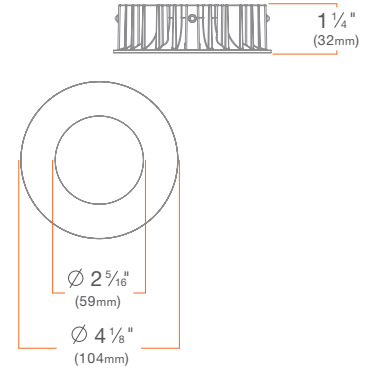
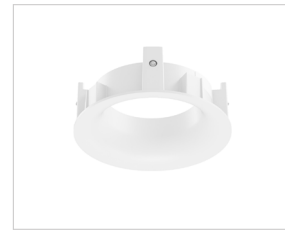
Round Flangeless Trim Insert

DRD2TRJDSWHFL



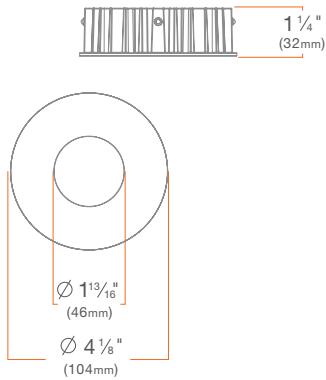
Hyperbolic Flangeless Trim Insert

DRD2TRJDHWHFL



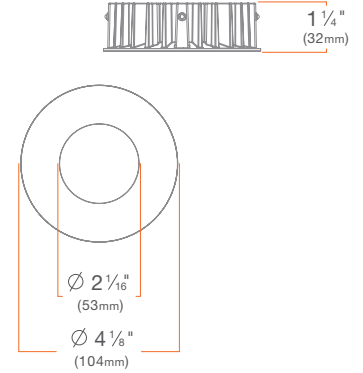
Pinhole Flangeless Trim Insert

DRD2TRJDPWHFL



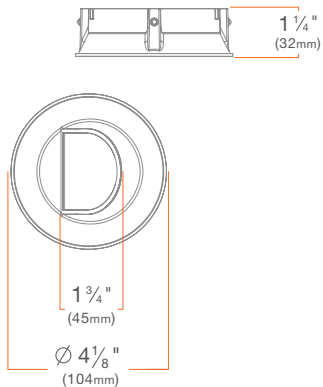
Beveled Pinhole Flangeless Trim Insert

DRD2TRJDBWHFL



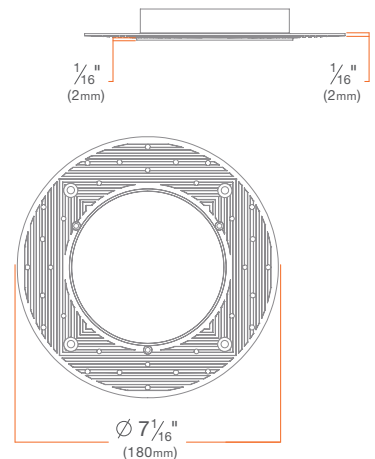
Round Wall Wash Flangeless Trim Insert

DRD2TRJDWWHFL



Flangeless Mud Plate

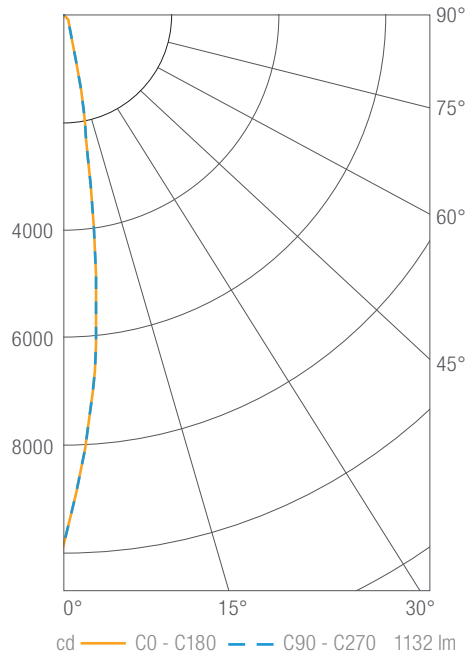
DRDHX-MUD-FL



PHOTOMETRY

DRD2 1000 lm, 3000K, Narrow Spot

DRD2M10930NS



Luminous Intensity

Gamma	C 0°
0°	9823
5°	6600
10°	2335
15°	734
20°	357
25°	244
30°	195
35°	159
40°	116
45°	85
50°	61
55°	42
60°	28
65°	16
70°	7
75°	4
80°	2
85°	1
90°	0

Values in candela

Zonal Lumen Summary

Zone	Lumens	Luminaire %
0-30	906	80
0-40	1004	89
0-60	1110	98
0-90	1131	100
0-180	1132	100

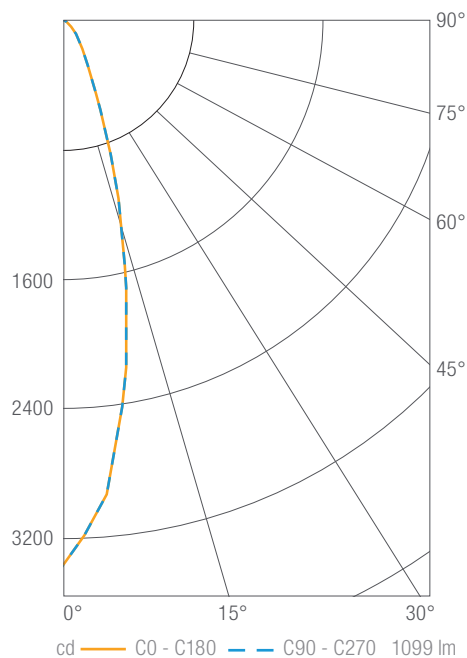
Illuminance Chart

Distance from LED	Foot Candles	Diameter
3'	1091	0.7'
6'	273	1.5'
9'	121	2.2'
12'	68	2.9'

Beam Angle: 14°

DRD2 1000 lm, 3000K, Spot

DRD2M10930SP



Luminous Intensity

Gamma	C 0°
0°	3366
5°	2967
10°	2203
15°	1391
20°	775
25°	419
30°	248
35°	167
40°	119
45°	87
50°	62
55°	43
60°	26
65°	15
70°	7
75°	4
80°	2
85°	1
90°	0

Values in candela

Zonal Lumen Summary

Zone	Lumens	Luminaire %
0-30	862	78
0-40	971	88
0-60	1078	98
0-90	1098	100
0-180	1099	100

Illuminance Chart

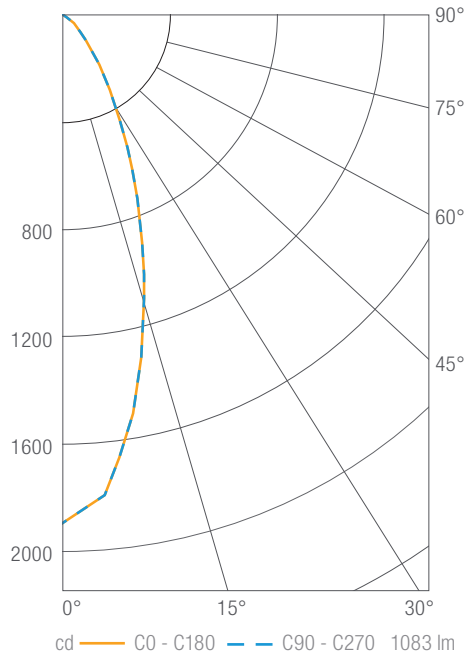
Distance from LED	Foot Candles	Diameter
3'	374	1.4'
6'	93	2.8'
9'	42	4.2'
12'	23	5.6'

Beam Angle: 26°

PHOTOMETRY

DRD2 1000 lm, 3000K, Flood

DRD2M10930FL



Luminous Intensity

Gamma	C 0°
0°	1890
5°	1792
10°	1503
15°	1161
20°	849
25°	589
30°	391
35°	256
40°	162
45°	107
50°	74
55°	51
60°	30
65°	18
70°	8
75°	5
80°	3
85°	1
90°	0

Values in candela

Zonal Lumen Summary

Zone	Lumens	Luminaire %
0-30	760	70
0-40	925	85
0-60	1058	98
0-90	1081	100
0-180	1083	100

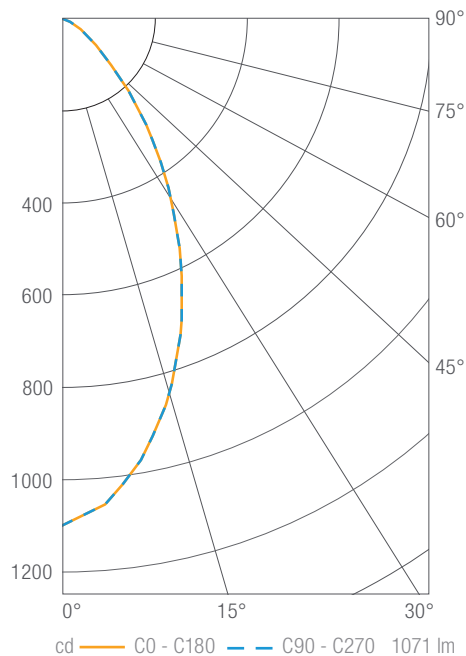
Illuminance Chart

Distance from LED	Foot Candles	Diameter
3'	210	2.0'
6'	52	4.0'
9'	23	6.0'
12'	13	8.0'

Beam Angle: 37°

DRD2 1000 lm, 3000K, Wide Flood

DRD2M10930WF



Luminous Intensity

Gamma	C 0°
0°	1100
5°	1058
10°	973
15°	866
20°	743
25°	609
30°	478
35°	361
40°	252
45°	161
50°	102
55°	68
60°	41
65°	24
70°	11
75°	6
80°	4
85°	2
90°	0

Values in candela

Zonal Lumen Summary

Zone	Lumens	Luminaire %
0-30	620	58
0-40	845	79
0-60	1037	97
0-90	1069	100
0-180	1071	100

Illuminance Chart

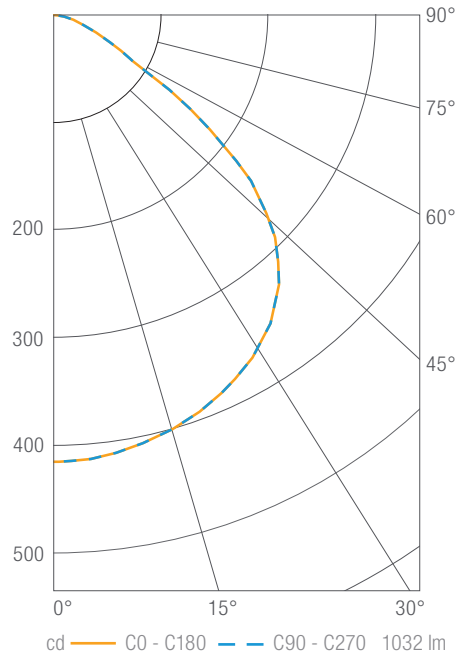
Distance from LED	Foot Candles	Diameter
3'	122	3.1'
6'	31	6.2'
9'	14	9.3'
12'	8	12.3'

Beam Angle: 55°

PHOTOMETRY

DRD2 1000 lm, 3000K, General Ambient

DRD2M10930GA



Luminous Intensity

Gamma	C 0°
0°	416
5°	415
10°	410
15°	403
20°	394
25°	382
30°	369
35°	351
40°	327
45°	291
50°	240
55°	162
60°	84
65°	54
70°	33
75°	21
80°	12
85°	6
90°	1

Values in candela

Zonal Lumen Summary

Zone	Lumens	Luminaire %
0-30	333	32
0-40	557	54
0-60	942	91
0-90	1024	99
0-180	1032	100

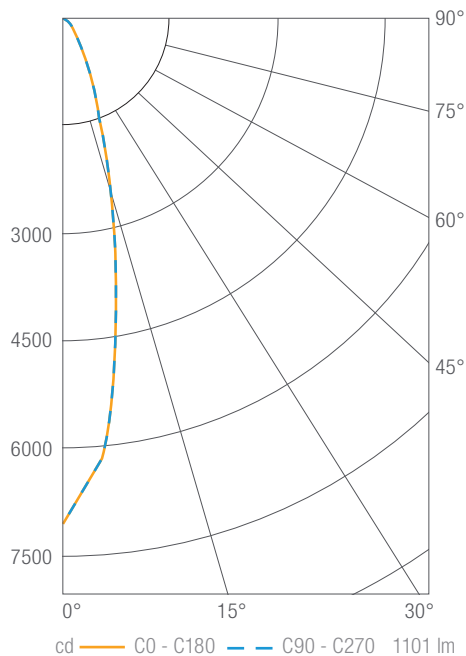
Illuminance Chart

Distance from LED	Foot Candles	Diameter
3'	46	7.8'
6'	12	15.5'
9'	5	23.3'
12'	3	31.1'

Beam Angle: 100°

DRD2 1000 lm, 3000K, Soft Focus

DRD2M10930SF



Luminous Intensity

Gamma	C 0°
0°	7280
5°	5603
10°	2489
15°	875
20°	381
25°	247
30°	194
35°	161
40°	122
45°	90
50°	64
55°	45
60°	28
65°	16
70°	7
75°	4
80°	2
85°	1
90°	0

Values in candela

Zonal Lumen Summary

Zone	Lumens	Luminaire %
0-30	868	79
0-40	968	88
0-60	1078	98
0-90	1100	100
0-180	1101	100

Illuminance Chart

Distance from LED	Foot Candles	Diameter
3'	809	0.9'
6'	202	1.7'
9'	90	2.6'
12'	51	3.4'

Beam Angle: 16°