



For use with X Series housing and trims, manufactured by DMF Lighting.

See dmflighting.com/compatibility for additional information.

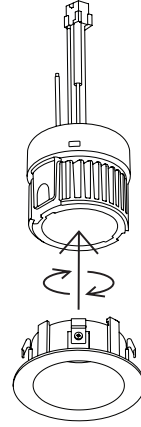
À utiliser avec le boîtier et les garnitures de la série X, fabriqués par DMF Lighting.

Voir dmflighting.com/compatibility pour plus d'informations.

New Construction Installation

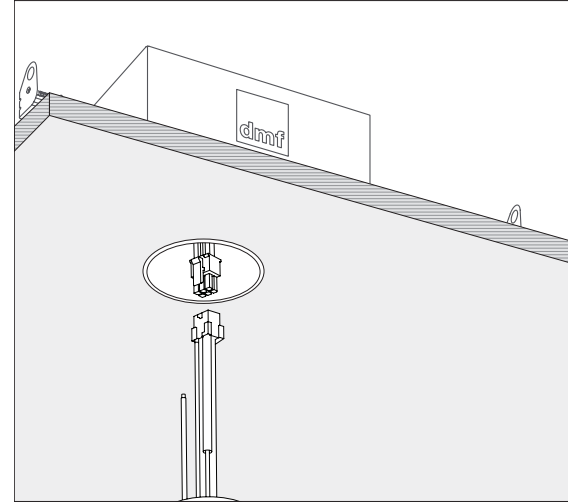
Nouvelle Construction Installation

- 1 **Align Trim onto Module and turn clockwise until secure.**
Retirez le capuchon du module à l'aide d'un tournevis à tête plate. Mettre de côté. ur module et pousser la garniture soit sécurisée.



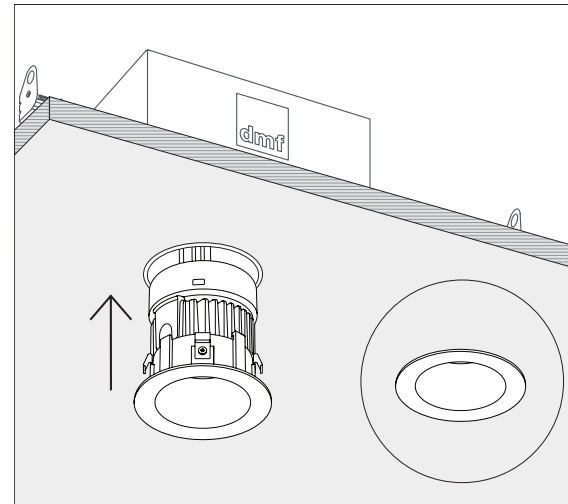
- 2 **Plug Module and New Construction Housing connectors together.**

Branchez les connecteurs ensemble entre le module et le boîtier de la nouvelle construction.



- 3 **Place Module into Housing. Press Trim up until flush with ceiling.**

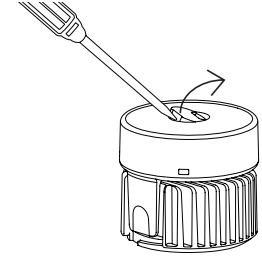
Placez le module dans le logement. Appuyez sur la garniture jusqu'à ce qu'elle soit au ras du plafond.



Remodel Installation

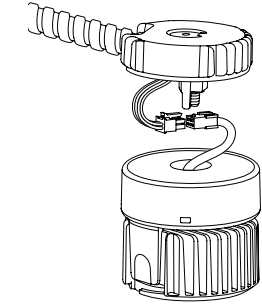
Rénover l'installation

- 1 **Remove cap cover from Module using flat head screw driver. Set aside.**
Retirez le capuchon du module à l'aide d'un tournevis à tête plate. Mettre de côté.



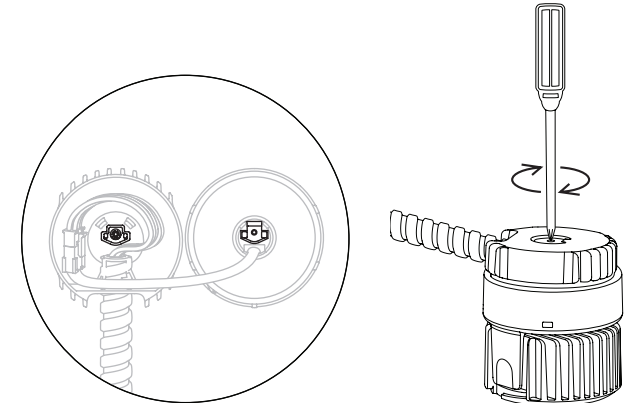
- 2 **Attach the quick connect wires from Remodel cover and Module.**

Alignez et connectez le couvercle du boîtier Remodel sur le module, en faisant correspondre.



- 3 **Align and connect Remodel Housing cover onto Module. Secure cover to Module by tightening screw (factory installed).**

Alignez et connectez le couvercle du boîtier Remodel sur le module. Fixez le couvercle du boîtier au module en serrant la vis (installé en usine).



For your safety, read and understand these instructions completely before starting installation.

The electrical product contained herein is designed to meet the requirements of UL 1598 and the current NFP regulations as published in the NEC. Specific modifications and revisions in your area may differ from this standard. Compliance with local building and electrical codes must be confirmed before installation.

WARNING - To prevent wiring damage or abrasion, do not pinch or damage exposed wiring during installation. Keep away from edges of sheet metal or other sharp objects.

WARNING - Risk of fire or electric shock. Installation of this assembly requires a person familiar with the construction and operation of the luminaire's electrical system and the hazard involved. If not qualified, do not attempt installation. Contact a qualified electrician.

WARNING - Risk of fire or electric shock. Install this kit only in the luminares that have the construction features shown in the photographs and / or drawings. Do not make or alter any open holes in an enclosure or wiring or electrical components during kit installation.

WARNING - Risk of fire or electric shock. Do not alter, relocate or remove wiring, lampholders, power supply, or any other electrical component

For your safety, read and understand these instructions completely before starting installation.

The electrical product contained herein is designed to meet the requirements of UL 1598 and the current NFP regulations as published in the NEC. Specific modifications and revisions in your area may differ from this standard. Compliance with local building and electrical codes must be confirmed before installation.

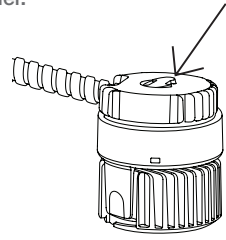
WARNING - To prevent wiring damage or abrasion, do not pinch or damage exposed wiring during installation. Keep away from edges of sheet metal or other sharp objects.

WARNING - Risk of fire or electric shock. Installation of this assembly requires a person familiar with the construction and operation of the luminaire's electrical system and the hazard involved. If not qualified, do not attempt installation. Contact a qualified electrician.

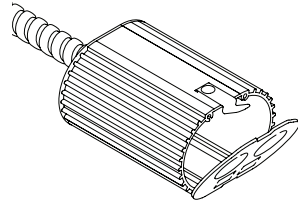
WARNING - Risk of fire or electric shock. Install this kit only in the luminares that have the construction features shown in the photographs and / or drawings. Do not make or alter any open holes in an enclosure or wiring or electrical components during kit installation.

WARNING - Risk of fire or electric shock. Do not alter, relocate or remove wiring, lampholders, power supply, or any other electrical component

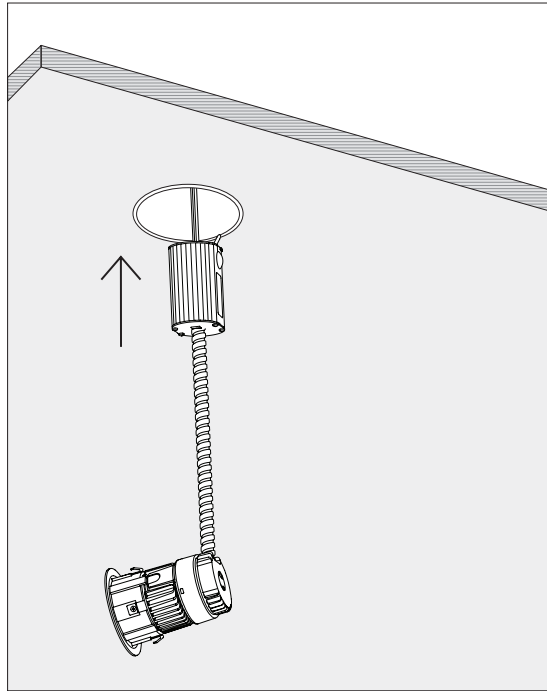
- 4** Replace cap cover from Module onto Housing cover.
Remplacez le couvercle du capuchon du module sur le couvercle du boîtier.



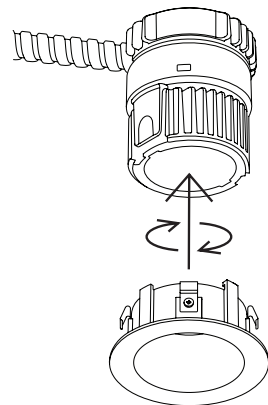
- 5** Route electrical wires.
Acheminez les fils électriques.



- 6** Place Housing into ceiling opening.
Placez le boîtier dans l'ouverture du plafond.



- 7** Align trim onto module and turn clockwise until secure.
Alignez la garniture sur le module et tournez dans le sens des aiguilles d'une montre jusqu'à ce qu'elle soit bien fixée.



- 8** Place Module into ceiling opening. Press Trim up until flush with ceiling.
Placez le module dans l'ouverture du plafond. Appuyez sur Trim vers le haut jusqu'à ce qu'il soit au ras du plafond.

