

DRD5S & SurfaceFrame

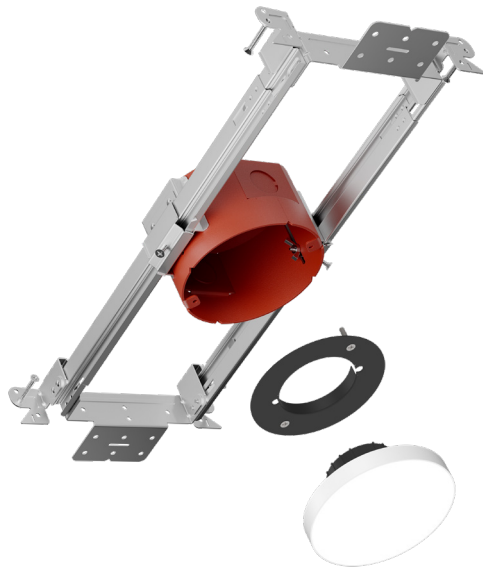
4" Surface Mount Downlight

F4NC 4" New Construction















Fire Rated Shallow Junction Box

| | |
|---------------|-------|
| Project: | Type: |
| Product Code: | Date: |

V072823



- Thinnest-in-class DRD5S delivers the pure, smooth light and the elegant look of a high-end recessed downlight
- Features multiple ratings to meet the demands of a wide range of situations
- Ultra-low profile allows it to install in as little as 2" of ceiling space when 5/8" drywall is used

| | | | |
|---|--|--|---|
| Application New Construction | | Aperture 4" Round Junction Box | |
| Delivered Lumens 750 lm (9.0W), 1000 lm (12.0W) | | Color Quality 90+ CRI, < 3-step SDCM | |
| Color Temperature  2700K 3000K 3500K | | Optics  General | |
| Input Voltage 120V only (TRIAC/ELV), 120/277V (0-10V) | Dimming TRIAC/ELV 5% 0-10V 1% | Emergency Lighting Optional Emergency LED Driver with integrated Test Switch for lighting up to 90 minutes in event of power failure | |
| Shape Round, Square | | Finish White | Module Ratings  UL Closet Rating Compliant (750 lm only)  UL Listed for Wet Location |
| Housing Ratings | | | |
|  Code compliant for use in appropriate fire-rated assemblies up to a maximum of 2-hours | |  STC/IIC Sound Rated |  ASTM E283 Certified Air Tight |
| | |  IC (Insulation Contact) Rated | |
| Standards      | | Guarantee 50,000 hrs 5 years | |
| | | Additional Options  Non-Conductive Dead Front | |



PRODUCT BUILDER - TRIAC/ELV & 0-10V

HOUSING

| | |
|-------------|---|
| F4NC | 4" New Construction Fire Rated Shallow Junction Box |
|-------------|---|

MODULE

| PRODUCT CODE | | APERTURE | | SHAPE | | LUMENS | | CRI | | CCT | | DRIVER | |
|--------------|--------|----------|-------------|----------|--------|-----------|---------|----------|---------|-----------|-------|------------|--|
| DRD5S | Module | 4 | 4" Aperture | R | Round | 07 | 750 lm | 9 | 90+ CRI | 27 | 2700K | T | Integrated TRIAC/ELV, 120V only |
| | | | | S | Square | 10 | 1000 lm | | | 30 | 3000K | O | Integrated 0-10V, 120/277V |
| | | | | | | | | | | 35 | 3500K | TDF | Integrated TRIAC/ELV, 120V only, Non-Conductive ³ |
| | | | | | | | | | | | | ODF | Integrated 0-10V, 120/277V, Non-Conductive ³ |

³ Only available for Round shape, 750 lm, 2700K or 3000K CCT

PRODUCT BUILDER - EMERGENCY LIGHTING

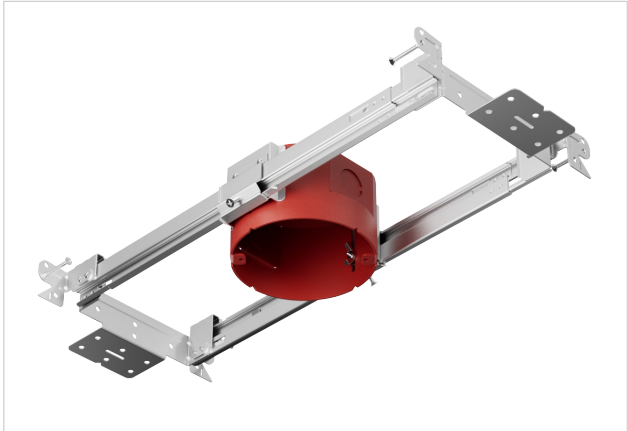
HOUSING

| PRODUCT CODE | | APPLICATION | | APERTURE | | DRIVER | | OPTION | |
|--------------|---------|-------------|------------------|-----------|------------------------|-------------|----------------|-----------|-----------|
| DRDH | Housing | N | New Construction | JO | Octagonal Junction Box | 70S | 0-10V, 750 lm | EM | EM Driver |
| | | | | | | 100S | 0-10V, 1000 lm | | |

MODULE

| PRODUCT CODE | | APERTURE | | SHAPE | | LUMENS | | CRI | | CCT | | DRIVER | |
|--------------|--------|----------|-------------|----------|--------|-----------|---------|----------|---------|-----------|-------|-----------|----------------------------|
| DRD5S | Module | 4 | 4" Aperture | R | Round | 07 | 750 lm | 9 | 90+ CRI | 27 | 2700K | EM | Emergency with Test Switch |
| | | | | S | Square | 10 | 1000 lm | | | 30 | 3000K | | |
| | | | | | | | | | | 35 | 3500K | | |

HOUSING



SurfaceFrame

4" New Construction Fire Rated Junction Box

F4NC

SUMMARY

JUNCTION BOX: Equipped with (4) 1/2" trade size knockouts (two side, two top) to allow straight conduit runs. Approved for 6 (three in, three out) #12 AWG 70°C through wiring conductors.

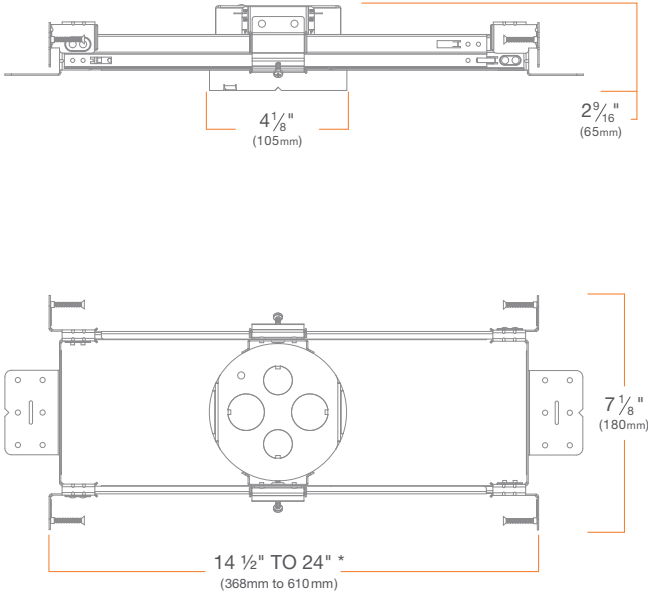
MOUNTING: Pre-installed mounting brackets allow vertical adjustment of bar hangers up to 1"

CEILING: 0 to 1 1/2"

CUTOUT: 4 3/16" (106mm) round opening

LISTINGS: Metallic outlet box certified UL514A, code compliant for use in appropriate fire-rated assemblies for up to 2-hours, STC/IIC Sound Rated, ASTM E283 certified Air Tight, IC (Insulation Contact) rated

WARRANTY: 1 year limited warranty



* Can be field cut to minimum 7 1/2" (191mm)



ALTERNATE DIMMING / EM HOUSING



SurfaceFrame

Octagonal Junction Box with Alternate Dimming and/or Emergency Lighting

DRDHNJO

SUMMARY

JUNCTION BOX: Equipped with (4) 1/2" trade size knockouts (two side, two top) to allow straight conduit runs. Approved for 6 (three in, three out) #12 AWG 70°C through wiring conductors.

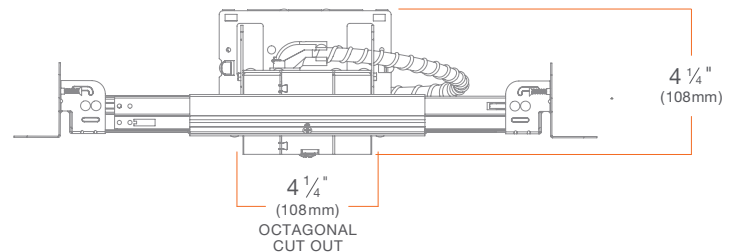
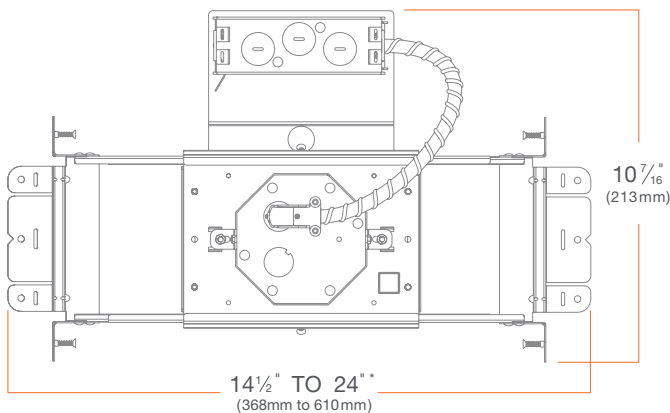
MOUNTING: Pre-installed mounting brackets allow vertical adjustment of bar hangers up to 1"

CEILING: 1/2" up to 1 3/4"

CUTOUT: 4 1/8" (105mm) octagonal opening

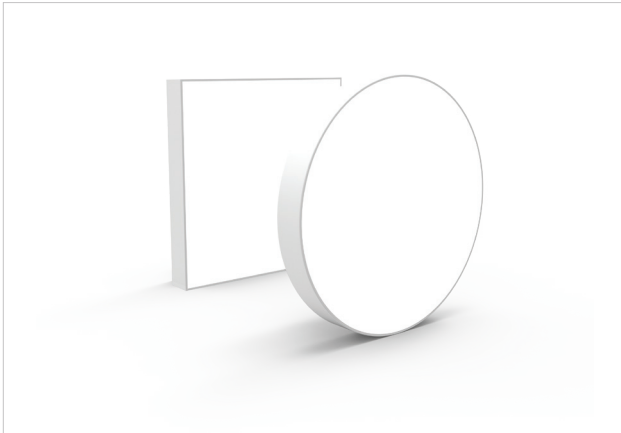
LISTINGS: Metallic outlet box certified UL514A, code compliant for use in appropriate fire-rated assemblies for up to 2-hours, STC/IIC Sound Rated, ASTM E283 certified Air Tight, IC (Insulation Contact) rated

WARRANTY: 1 year limited warranty



* Can be field cut to minimum 9" (229mm)

MODULE

**DRD5S**

Surface Mount LED Module

DRD5S4R, DRD5S4S

SUMMARY

LED: Optimized LED array**SHAPE:** 4" Round, 4" Square**MODULE LUMENS:** 750 lm (9.0W), 1000 lm (12.0W)**COLOR QUALITY:** 90+ CRI, less than 3-step SDCM**CCT:** 2700K, 3000K, 3500K**INPUT VOLTAGE:** 120V only (TRIAC/ELV), 120/277V (0-10V)****DIMMING:** Down to less than 5% for TRIAC/ELV at 120V,
1% for 0-10V at 120/277V**MAX INPUT CURRENT (120V):** 0.075 amps, 0.1047 amps**MAX INPUT CURRENT (277V):** 0.034 amps, 0.047 amps**POWER FACTOR:** Greater than 0.9**TOTAL HARMONIC DISTORTION:** Less than 20%**AMBIENT OPERATING TEMPERATURE:** -20°C to 40°C**EMERGENCY LIGHTING:** Optional Emergency LED Driver with
Integrated Test Switch for lighting up to 90 minutes in event of
power failure**PHOTOMETRIC TESTING:** Tested in accordance to IESNA
LM-79-2008**LISTINGS:** ENERGY STAR® Qualified*, California Title 24 2016-2022
JA8-E Compliant, UL Listed for Wet Location, UL Closet Rating
compliant (750 lm only), UL Certified US-CA**LIFETIME:** 50,000 hours at 70% lumen maintenance**WARRANTY:** 5 year limited warranty

* Refer to ENERGY STAR Certified light fixtures database

** Visit rb.gy/8xj3e to learn more



DRD5S & SurfaceFrame

4" Surface Mount Downlight

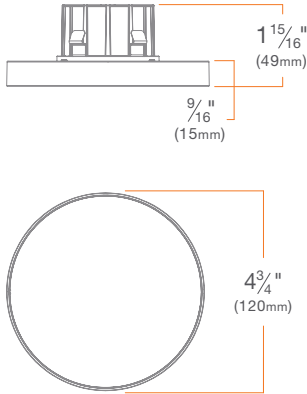
F4NC 4" New Construction

Fire Rated Shallow Junction Box

HOUSING

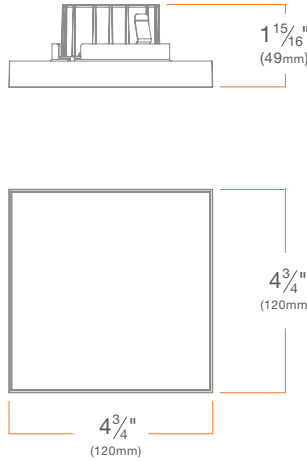
4" Round

DRD5S4R



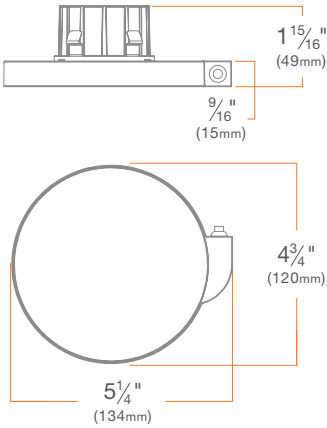
4" Square

DRD5S4S



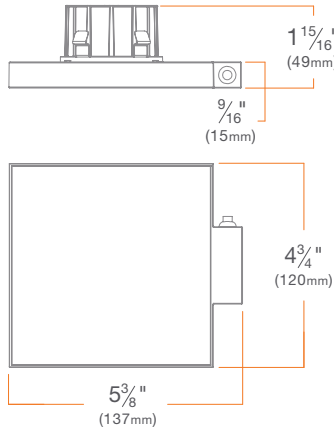
4" Round with EM Test Switch

DRD5S4R EM



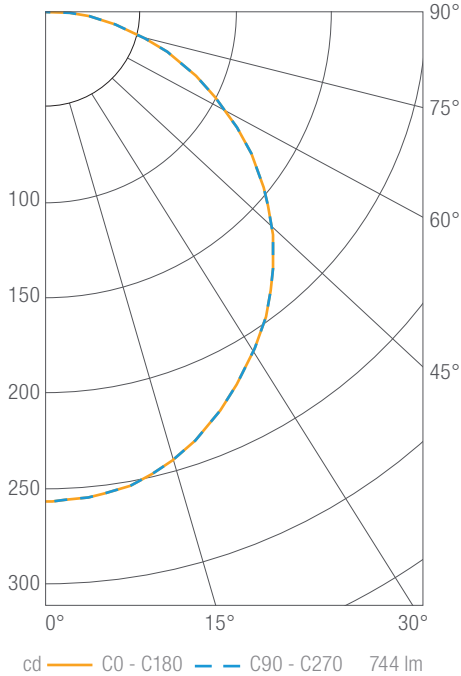
4" Square with EM Test Switch

DRD5S4S EM



PHOTOMETRY

DRD5S 4" Round, 750 lm, 90 CRI, 3000K DRD5S4R07930



Luminous Intensity

| Gamma | C 0° |
|-------|------|
| 0° | 258 |
| 5° | 256 |
| 10° | 253 |
| 15° | 247 |
| 20° | 237 |
| 25° | 226 |
| 30° | 213 |
| 35° | 200 |
| 40° | 185 |
| 45° | 169 |
| 50° | 151 |
| 55° | 132 |
| 60° | 113 |
| 65° | 93 |
| 70° | 73 |
| 75° | 54 |
| 80° | 35 |
| 85° | 18 |
| 90° | 6 |

Values in candela

Zonal Lumen Summary

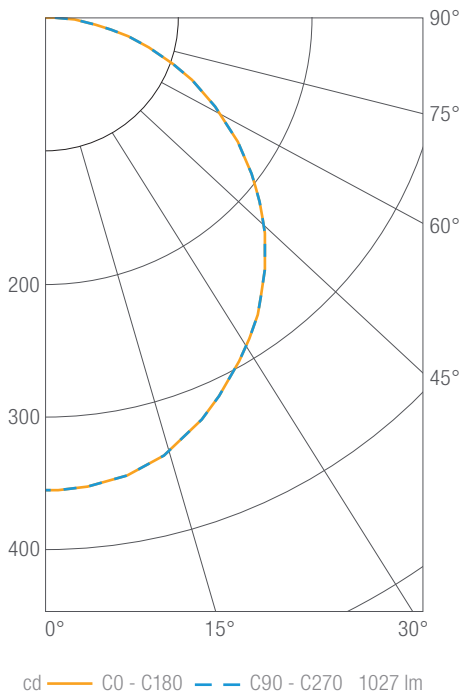
| Zone | Lumens | Luminaire % |
|-------|--------|-------------|
| 0-30 | 199 | 27 |
| 0-40 | 324 | 44 |
| 0-60 | 573 | 77 |
| 0-90 | 744 | 100 |
| 0-180 | 744 | 100 |

Illuminance Chart

| Distance from LED | Foot Candles | Diameter |
|-------------------|--------------|----------|
| 3.0' | 29 | 8.8' |
| 6.0' | 7 | 17.7' |
| 9.0' | 3 | 26.5' |
| 12.0' | 2 | 35.3' |

Beam Angle: 70°

DRD5S 4" Round, 1000 lm, 90 CRI, 3000K DRD5S4R10930



Luminous Intensity

| Gamma | C 0° |
|-------|------|
| 0° | 356 |
| 5° | 354 |
| 10° | 349 |
| 15° | 340 |
| 20° | 327 |
| 25° | 312 |
| 30° | 294 |
| 35° | 276 |
| 40° | 255 |
| 45° | 233 |
| 50° | 209 |
| 55° | 183 |
| 60° | 155 |
| 65° | 128 |
| 70° | 101 |
| 75° | 74 |
| 80° | 48 |
| 85° | 25 |
| 90° | 9 |

Values in candela

Zonal Lumen Summary

| Zone | Lumens | Luminaire % |
|-------|--------|-------------|
| 0-30 | 274 | 27 |
| 0-40 | 447 | 44 |
| 0-60 | 790 | 77 |
| 0-90 | 1027 | 100 |
| 0-180 | 1027 | 100 |

Illuminance Chart

| Distance from LED | Foot Candles | Diameter |
|-------------------|--------------|----------|
| 3.0' | 40 | 8.8' |
| 6.0' | 10 | 17.7' |
| 9.0' | 4 | 26.5' |
| 12.0' | 2 | 35.3' |

Beam Angle: 63°