

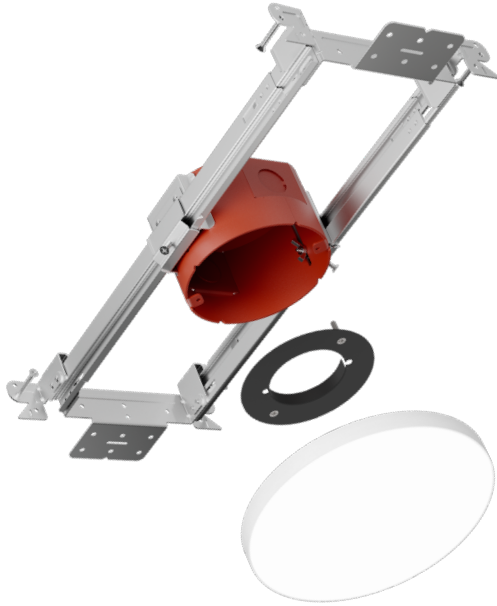
# DRD5S & SurfaceFrame

## 8" Round & 18" Linear Surface Mount Downlights












F4NC 4" New Construction  
Fire Rated Shallow Junction Box

Project:	Type:
Product Code:	Date:

V072823



- 8" round area light for lighting smaller spaces including bathrooms, closets and kitchens
- 18" x 4" rectangular area light perfect for narrow applications such as corridors or kitchen islands
- Extends just 0.6" below the ceiling plane to minimize visual profile
- Features multiple ratings to meet the demands of a wide range of situations

<b>Application</b> New Construction		<b>Aperture</b> 4" Round Junction Box	
<b>Delivered Lumens</b> 1500 lm (17W)		<b>Color Quality</b> 90+ CRI, < 3-step SDCM	
<b>Color Temperature</b>  2700K    3000K    3500K		<b>Input Voltage</b> 120/277V	
<b>Emergency Lighting</b> Optional Emergency LED Driver for lighting up to 90 minutes in event of power failure		<b>Dimming</b> TRIAC/ELV 5%, 0-10V 1%	
<b>Emergency Lighting</b> Optional Emergency LED Driver for lighting up to 90 minutes in event of power failure		<b>Shape</b> 8" Round & 18" x 4" Rectangle	<b>Finish</b> White
<b>Housing Ratings</b>  Code compliant for use in appropriate fire-rated assemblies up to a maximum of 2-hours  STC/IIC Sound Rated  ASTM E283 Certified Air Tight  IC (Insulation Contact) Rated			<b>Module Ratings</b>  UL Listed for Wet Location
<b>Standards</b>     		<b>Guarantee</b> 50,000 hrs   5 years	



PRODUCT BUILDER - TRIAC/ELV & 0-10V

HOUSING

<b>F4NC</b>	4" New Construction Fire Rated Shallow Junction Box
-------------	---

8" ROUND MODULE

PRODUCT CODE		DIMENSION		SHAPE		LUMENS		CRI		CCT		DRIVER	
<b>DRD5S</b>	Module	<b>8</b>	8" Diameter	<b>R</b>	Round	<b>15</b>	1500 lm	<b>9</b>	90+ CRI	<b>27</b>	2700K	<b>[Blank]</b>	TRIAC/ELV
										<b>30</b>	3000K	<b>O</b>	0-10V
										<b>35</b>	3500K		

18" LINEAR MODULE

PRODUCT CODE		DIMENSION		SHAPE		LUMENS		CRI		CCT		DRIVER	
<b>DRD5S</b>	Module	<b>4</b>	4" Width	<b>L</b>	Linear	<b>15</b>	1500 lm	<b>9</b>	90+ CRI	<b>27</b>	2700K	<b>[Blank]</b>	TRIAC/ELV
										<b>30</b>	3000K	<b>O</b>	0-10V
										<b>35</b>	3500K		



**PRODUCT BUILDER - EMERGENCY LIGHTING**

**HOUSING**

<b>DRDHNJO15OSEMS</b>	4" New Construction Octagonal Junction Box, 0-10V, 1500 lm, EM Driver
-----------------------	---

**8" ROUND MODULE**

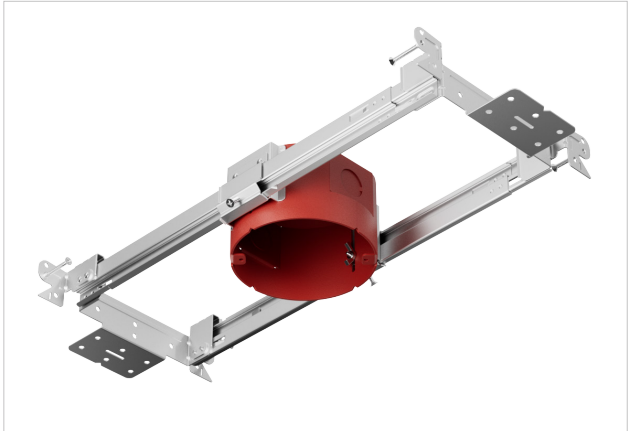
PRODUCT CODE		DIMENSION		SHAPE		LUMENS		CRI		CCT		DRIVER	
<b>DRD5S</b>	Module	<b>8</b>	8" Diameter	<b>R</b>	Round	<b>15</b>	1500 lm	<b>9</b>	90+ CRI	<b>27</b>	2700K	<b>A</b>	Alternate
										<b>30</b>	3000K		
										<b>35</b>	3500K		

**18" LINEAR MODULE**

PRODUCT CODE		DIMENSION		SHAPE		LUMENS		CRI		CCT		DRIVER	
<b>DRD5S</b>	Module	<b>4</b>	4" Width	<b>L</b>	Linear	<b>15</b>	1500 lm	<b>9</b>	90+ CRI	<b>27</b>	2700K	<b>A</b>	Alternate
										<b>30</b>	3000K		
										<b>35</b>	3500K		



HOUSING



### SurfaceFrame

4" New Construction Fire Rated Junction Box  
**F4NC**

SUMMARY

**JUNCTION BOX:** Equipped with (4) 1/2" trade size knockouts (two side, two top) to allow straight conduit runs. Approved for 6 (three in, three out) #12 AWG 70°C through wiring conductors.

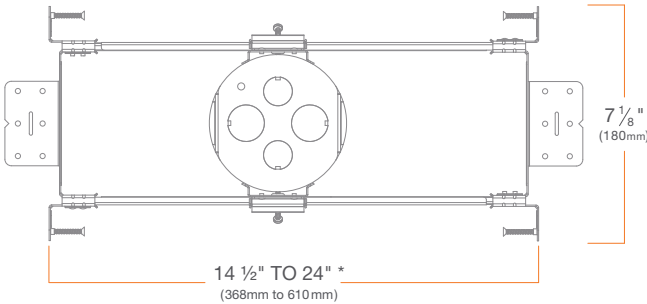
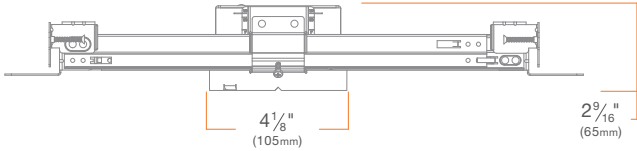
**MOUNTING:** Pre-installed mounting brackets allow vertical adjustment of bar hangers up to 1"

**CEILING:** 0 to 1 1/2"

**CUTOUT:** 4 3/16" (106mm) round opening

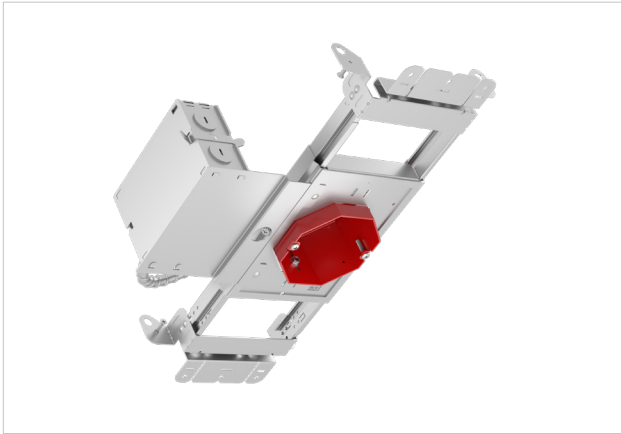
**LISTINGS:** Metallic outlet box certified UL514A, code compliant for use in appropriate fire-rated assemblies for up to 2-hours, STC/IIC Sound Rated, ASTM E283 certified Air Tight, IC (Insulation Contact) rated

**WARRANTY:** 1 year limited warranty



\* Can be field cut to minimum 7 1/2" (191mm)

### ALTERNATE DIMMING / EM HOUSING



## SurfaceFrame

Octagonal Junction Box with Alternate Dimming and/or Emergency Lighting

**DRDHNJO**

### SUMMARY

**JUNCTION BOX:** Equipped with (4) 1/2" trade size knockouts (two side, two top) to allow straight conduit runs. Approved for 6 (three in, three out) #12 AWG 70°C through wiring conductors.

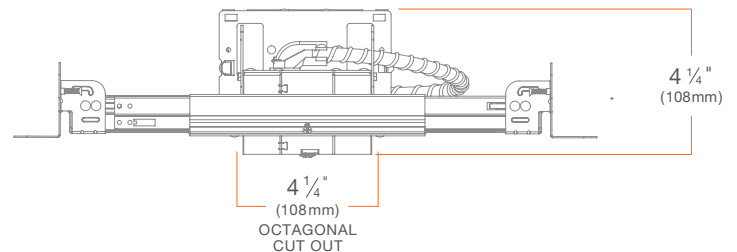
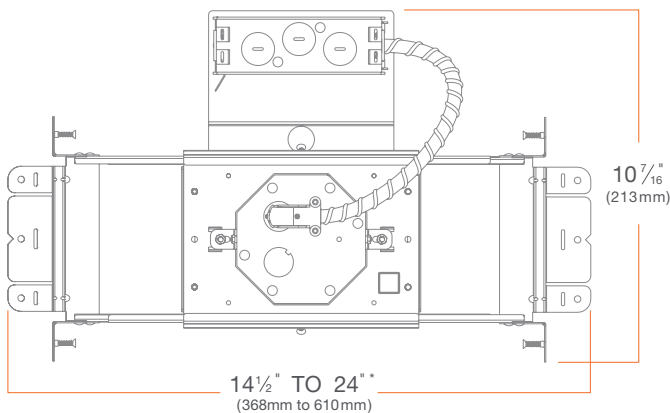
**MOUNTING:** Pre-installed mounting brackets allow vertical adjustment of bar hangers up to 1"

**CEILING:** 1/2" up to 1 3/4"

**CUTOUT:** 4 1/8" (105mm) octagonal opening

**LISTINGS:** Metallic outlet box certified UL514A, code compliant for use in appropriate fire-rated assemblies for up to 2-hours, STC/IIC Sound Rated, ASTM E283 certified Air Tight, IC (Insulation Contact) rated

**WARRANTY:** 1 year limited warranty



\* Can be field cut to minimum 9" (229mm)

MODULE



**DRD5S**

8" Round Surface Mount Module

**DRD5S8R**

SUMMARY

**LED:** Optimized LED array

**SHAPE:** 8" round

**MODULE LUMENS:** 1500 lm (17W)

**COLOR QUALITY:** 90+ CRI, less than 3-step SDCM

**CCT:** 2700K, 3000K, 3500K

**INPUT VOLTAGE:** 120/277V

**\*\*DIMMING:** Down to less than 5% for TRIAC/ELV at 120v, 1% for 0-10V at 120/277V

**MAX INPUT CURRENT (120V):** 0.15 amps

**MAX INPUT CURRENT (277V):** 0.06 amps

**POWER FACTOR:** Greater than 0.9

**TOTAL HARMONIC DISTORTION:** Less than 20%

**AMBIENT OPERATING TEMPERATURE:** -20°C to 40°C

**EMERGENCY LIGHTING:** Optional Emergency LED Driver for lighting up to 90 minutes in event of power failure

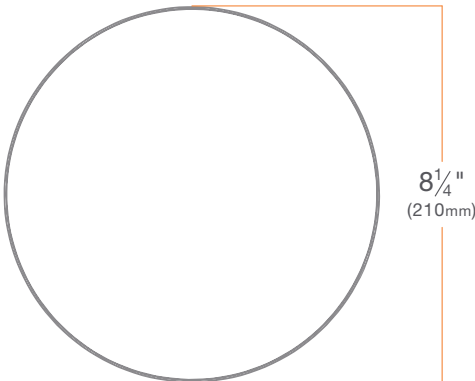
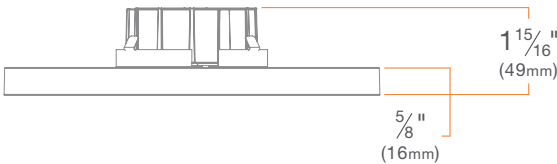
**PHOTOMETRIC TESTING:** Tested in accordance to IESNA LM-79-2008

**TRIM:** Edgeless die-cast aluminum

**LISTINGS:** ENERGY STAR® Qualified\*, California Title 24 2016-2022 JA8-E Compliant, UL Listed for Wet Location, UL Certified US-CA

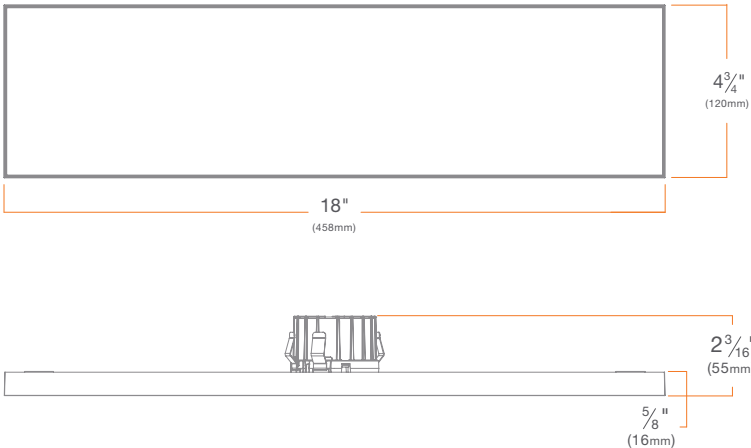
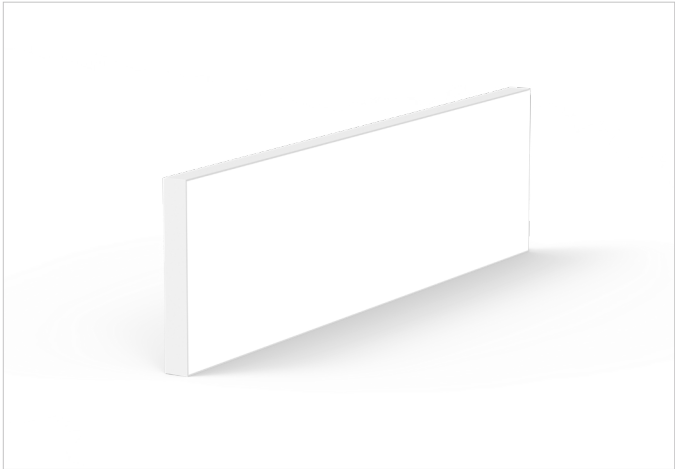
**LIFETIME:** 50,000 hours at 70% lumen maintenance

**WARRANTY:** 5 year limited warranty



\* Refer to ENERGY STAR Certified light fixtures database  
\*\* Visit [rb.gy/8xj3e](http://rb.gy/8xj3e) to learn more

MODULE



**DRD5S**

18" Linear Surface Mount Module

**DRD5S4L**

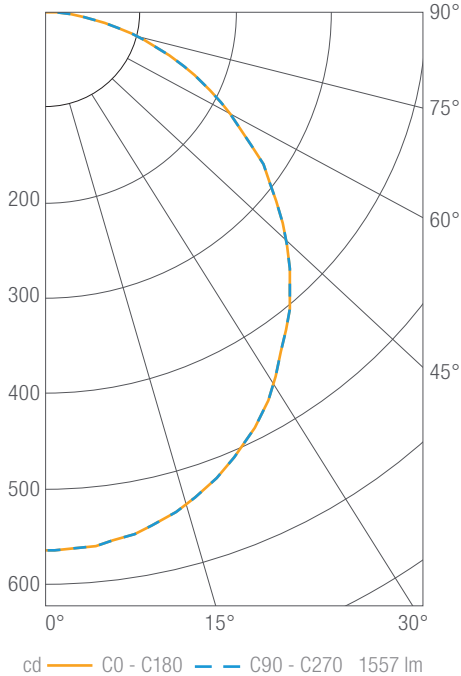
SUMMARY

- LED:** Optimized LED array
- SHAPE:** 18" x 4" rectangle
- MODULE LUMENS:** 1500 lm (17W)
- COLOR QUALITY:** 90+ CRI, less than 3-step SDCM
- CCT:** 2700K, 3000K, 3500K
- INPUT VOLTAGE:** 120/277V
- DIMMING:** Down to less than 5% for TRIAC/ELV at 120V, 1% for 0-10V at 120/277V
- MAX INPUT CURRENT (120V):** 0.15 amps
- MAX INPUT CURRENT (277V):** 0.06 amps
- POWER FACTOR:** Greater than 0.9
- TOTAL HARMONIC DISTORTION:** Less than 20%
- AMBIENT OPERATING TEMPERATURE:** -20°C to 40°C
- EMERGENCY LIGHTING:** Optional Emergency LED Driver for lighting up to 90 minutes in event of power failure
- PHOTOMETRIC TESTING:** Tested in accordance to IESNA LM-79-2008
- TRIM:** Edgeless die-cast aluminum
- LISTINGS:** ENERGY STAR® Qualified\*, California Title 24 2016-2022 JA8-E Compliant, UL Listed for Wet Location, UL Certified US-CA
- LIFETIME:** 50,000 hours at 70% lumen maintenance
- WARRANTY:** 5 year limited warranty

\* Refer to ENERGY STAR Certified light fixtures database

**PHOTOMETRY**

**DRD5S 8" Round, 1500 lm, 90 CRI, 3000K DRD5S8R15930**



Luminous Intensity

Gamma	C 0°
0°	567
5°	564
10°	556
15°	542
20°	523
25°	499
30°	469
35°	433
40°	400
45°	360
50°	318
55°	279
60°	232
65°	189
70°	145
75°	100
80°	57
85°	25
90°	2

Values in candela

Zonal Lumen Summary

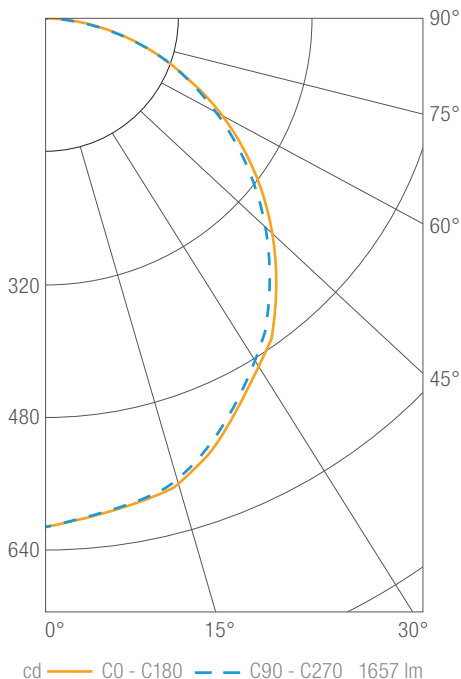
Zone	Lumens	Luminaire %
0-30	436	28
0-40	708	46
0-60	1234	79
0-90	1557	100
0-180	1557	100

Illuminance Chart

Distance from LED	Foot Candles	Diameter
3.0'	63	8.4'
6.0'	16	16.8'
9.0'	7	25.1'
12.0'	4	33.5'

Beam Angle: 110°

**DRD5S 18" Linear, 1500 lm, 90 CRI, 3000K DRD5S4L15930**



Luminous Intensity

Gamma	C 0°
0°	567
5°	564
10°	556
15°	542
20°	523
25°	499
30°	469
35°	433
40°	400
45°	360
50°	318
55°	279
60°	232
65°	189
70°	145
75°	100
80°	57
85°	25
90°	2

Values in candela

Zonal Lumen Summary

Zone	Lumens	Luminaire %
0-30	465	28
0-40	755	46
0-60	1316	79
0-90	1657	100
0-180	1657	100

Illuminance Chart

Distance from LED	Foot Candles	Dimension
3.0'	68	8.2' x 8.4'
6.0'	17	16.3' x 16.7'
9.0'	8	24.5' x 25.1'
12.0'	4	32.7' x 33.4'

Beam Angle: 110°