

# M Series Cylinder

Project:	Type:
Product Code:	Date:

V102523

## 4" Surface Mount



- Integrated Drivers allow for down to 0.1% dimming options within the pendant and no need to locate anything above the canopy
- Customize your cylinder with over one million configurations, allowing for easy maintenance and on-site modifications
- Attaches directly to a surface or recessed mounted junction box, ideal for areas with limited ceiling height & plenum space restrictions
- Die-cast aluminum trims with no visible hardware for a sleek, symmetrical design

### CYLINDER

#### Mount

Surface

#### Size

Diameter: 4"

Height: Small (4"), Medium (8"), Large (12")

#### Canopy

Standard

#### Trims & Shades

Standard, Snoot, Decorative, Hyperbolic, Flat Shade, Round Shade

#### Finish

White, Black, Brushed Aluminum, Bronze, Custom Color

### EMERGENCY LIGHTING

Optional Remote Inverter or Emergency LED Driver for lighting up to 90 minutes in event of power failure

### LIGHT OUTPUT & DISTRIBUTION

#### Lumens (Power)

750 lm (9.5W), 1000 lm (12.5W), 1250 lm (14.3W), 1500 lm (16.5W), 2000 lm (24.5W), 2500 lm (27.5W), 3000 lm (34W)

#### Color Quality

93 CRI, 2-step SDCM

#### Color Temperature

- 2700K ● 3000K ● 3500K
- 4000K ● Warm Dim (3000K–1800K)
- Tunable White (4000K–1800K)
- Tunable White (6500K–2700K)

#### Beam Spread

- ▲ Narrow Spot (15°) ▲ Spot (25°)
- ▲ Flood (40°) ▲ Wide Flood (60°)
- ▲ General (90°)

#### Lighting Type

- ▼ Downlight
- ▲ Adjustable

### POWER & CONTROLS

#### Input Voltage

120 / 277V

#### Dimming

0-10V (120/277V): 1%  
TRIAC/ELV (120V): 1%  
DALI-2 (120/277V): 0.1%

### SPECIALTY LENS

- Hexcell Louver

### RATINGS

- Wet Location / IP65 Rated Configurations Available
- NSF Listed (White and Black Finish Only)
- DarkSky Approved (Downlight only, CCT less than or equal to 3000K)

### WARRANTY

5 year limited warranty; 50,000 hours



## PRODUCT BUILDER

CYLINDER	<input type="text" value="DC4"/>	<b>DC4</b> 4" Cylinder			
MOUNT	<input type="text" value="SM"/>	<b>SM</b> Surface Mount			
MOISTURE RATING	<input type="text"/>	<b>S</b> Standard (Damp Location) <b>W</b> Wet Location <sup>1</sup>			
LENGTH	<input type="text"/>	<b>S</b> Small (4") 1500 lm Max	<b>M</b> Medium (8") 2000 lm Max	<b>L</b> Large (12") 3000 lm Max	
LIGHT OPTIONS	<input type="text"/>	<b>D</b> Fixed <sup>1</sup>		<b>A</b> Adjustable <sup>2</sup>	
LUMENS DOWN <sup>3</sup>	<input type="text"/>	<b>07</b> 750 lm <sup>1</sup>	<b>10</b> 1000 lm <sup>1</sup>	<b>12</b> 1250 lm <sup>1,4</sup>	<b>15</b> 1500 lm <sup>1,3,4</sup>
		<b>20</b> 2000 lm <sup>1,4,5</sup>	<b>25</b> 2500 lm <sup>4,5</sup>	<b>30</b> 3000 lm <sup>4,5</sup>	
BEAM SPREAD DOWN	<input type="text"/>	<b>GA</b> General Ambient (90°+) <sup>4,6</sup>	<b>NS</b> Narrow Spot (15°) <sup>7</sup>	<b>SP</b> Spot (25°)	
		<b>FL</b> Flood (40°)	<b>WF</b> Wide Flood (60°) <sup>4</sup>		
SPECIALTY LENS DOWN	<input type="text"/>	<b>0</b> None <sup>1</sup>		<b>H</b> Hexcell Louver <sup>8</sup>	
LUMENS UP	<input type="text" value="00"/>	<b>00</b> None			
BEAM SPREAD UP	<input type="text" value="00"/>	<b>00</b> None			
CCT	<input type="text"/>	<b>27</b> 2700K	<b>30</b> 3000K	<b>35</b> 3500K	<b>40</b> 4000K
		<b>3W</b> Warm Dim (3000K-1800K) <sup>9</sup>	<b>T1</b> Tunable White (4000K-1800K) <sup>10</sup>	<b>T2</b> Tunable White (6500K-2700K) <sup>10</sup>	
FINISH	<input type="text"/>	<b>WH</b> White	<b>BK</b> Black	<b>BA</b> Brushed Aluminum	
		<b>BZ</b> Bronze	<b>CC</b> Custom Color		
DIMMING	<input type="text"/>	<b>T</b> TRIAC/ELV (1%)	<b>O</b> 0-10V (1%)	<b>D</b> DALI-2 (0.1%) <sup>11</sup>	
EMERGENCY	<input type="text"/>	<b>00</b> None		<b>EM</b> EM, Remote Test Switch <sup>12</sup>	
TRIM / SHADE DOWN	<input type="text"/>	<b>R</b> Round Standard Trim <sup>1</sup>	<b>H</b> Hyperbolic Trim	<b>S</b> Snoot ( <i>black only</i> )	<b>D</b> Decorative Trim <sup>1,13</sup>
		<b>L</b> Low Profile Decorative Trim <sup>6,13</sup>	<b>RWC</b> Round Shade: White, Clear	<b>RWW</b> Round Shade: White, Warm	<b>RBC</b> Round Shade: Black, Clear
		<b>RBW</b> Round Shade: Black, Warm	<b>RAC</b> Round Shade: Aluminum, Clear	<b>FWC</b> Flat Shade: White, Clear	<b>FWW</b> Flat Shade: White, Warm
		<b>FBC</b> Flat Shade: Black, Clear	<b>FBW</b> Flat Shade: Black, Warm	<b>FAC</b> Flat Shade: Aluminum, Clear	

<sup>1</sup> Required for Wet Location/IP65 rating

<sup>2</sup> Only available in 750, 1000, 1250, 1500 or 2000 lm; with Round Standard, Decorative, or Low Profile Trim

<sup>3</sup> Only available in 750 or 1000 lm; Damp Location moisture rating; Round Standard or Hyperbolic trim

<sup>4</sup> Sum of Lumens cannot be greater than 1500 lm for Small size, 2000 lm for Medium size, 3000 lm for Large size

<sup>5</sup> Not available in Adjustable

<sup>6</sup> Only available in 0-10V

<sup>7</sup> Only available in 750 lm, 1000 lm, 1250 lm, or 1500 lm

<sup>8</sup> Only available in 750-2000 lm; Not available in Warm Dim or Tunable White

<sup>9</sup> Only available for Adjustable; not available for DALI-2

<sup>10</sup> Only available in 1000 lm; not available in Narrow Spot

<sup>11</sup> Only available in 1000 lm Downlight, 750 lm Adjustable and DALI-2 dimming

<sup>12</sup> Only available in 1000 lm Warm Dim, Tunable White or 1250 lm Static CCT Downlight and 1000 lm Warm Dim or Static CCT and 750 lm Tunable White Adjustable

<sup>13</sup> Not available in Uplight; TRIAC/ELV driver utilizes micro inverter; 0-10V or EcoSystem drivers utilize EM Kit mounted above ceiling with emergency LED driver & remote test switch

<sup>14</sup> Only available in General Ambient beam spread



## PRODUCT BUILDER

### ACCESSORIES

<b>DCCX-RW</b>	Round Standard Trim, White
<b>DCCX-RB</b>	Round Standard Trim, Black
<b>DCCX-RA</b>	Round Standard Trim, Brushed Aluminum
<b>DCCX-RZ</b>	Round Standard Trim, Bronze
<b>DCCX-RC</b>	Round Standard Trim, Custom Color
<b>DCCX-HW</b>	Hyperbolic Trim, White
<b>DCCX-HB</b>	Hyperbolic Trim, Black
<b>DCCX-HA</b>	Hyperbolic Trim, Brushed Aluminum
<b>DCCX-HZ</b>	Hyperbolic Trim, Bronze
<b>DCCX-HC</b>	Hyperbolic Trim, Custom Color
<b>DCCX-S</b>	Snoot
<b>DCCX-RWC</b>	Round Shade: White Outside, Clear Diffused Inside
<b>DCCX-RWW</b>	Round Shade: White Outside, Warm Diffused Inside
<b>DCCX-RBC</b>	Round Shade: Black Outside, Clear Diffused Inside
<b>DCCX-RBW</b>	Round Shade: Black Outside, Warm Diffused Inside
<b>DCCX-RAC</b>	Round Shade: Brushed Aluminum Outside, Clear Diffused Inside
<b>DCCX-FWC</b>	Flat Shade: White Outside, Clear Diffused Inside
<b>DCCX-FWW</b>	Flat Shade: White Outside, Warm Diffused Inside
<b>DCCX-FBC</b>	Flat Shade: Black Outside, Clear Diffused Inside
<b>DCCX-FBW</b>	Flat Shade: Black Outside, Warm Diffused Inside
<b>DCCX-FAC</b>	Flat Shade: Brushed Aluminum Outside, Clear Diffused Inside
<b>DCCX-JW</b>	Junction Box Cover, White
<b>DCCX-JB</b>	Junction Box Cover, Black
<b>DCCX-JA</b>	Junction Box Cover, Brushed Aluminum
<b>DCCX-JZ</b>	Junction Box Cover, Bronze
<b>DCCX-JC</b>	Junction Box Cover, Custom Color

## PRODUCT SUMMARY



**LED:** Cree® LED, Bridgelux

**DELIVERED LUMENS:** 750 lm (9.5W), 1000 lm (12.5W), 1250 lm (14.3W), 1500 lm (16.5W), 2000 lm (24.5W), 2500 lm (27.5W), 3000 lm (34W)

**EFFICACY:** 79 lm/W, 80 lm/W, 87lm/W, 91 lm/W, 82 lm/W, 91 lm/W, 88 lm/W

**COLOR QUALITY:** 93+ CRI, 2-step SDCM

**CCT:** 2700K, 3000K, 3500K, 4000K, Warm Dim (3000K-1800K), Tunable White (4000K-1800K), Tunable White (6500K-2700K)

**DIMMING:** Down to 1% for TRIAC/ELV at 120V, 1% for 0-10V at 120/277V, 0.1% DALI-2

**INPUT VOLTAGE:** 120/277V, 50/60Hz

**MAX INPUT CURRENT (120V):** 0.085 amps (750 lm), 0.110 amps (1000 lm), 0.125 amps (1250 lm), 0.145 amps (1500 lm), 0.205 amps (2000 lm), 0.235 amps (2500 lm), 0.290 amps (3000 lm)

**MAX INPUT CURRENT (277V):** 0.045 amps (750 lm), 0.055 amps (1000 lm), 0.060 amps (1250 lm), 0.070 amps (1500 lm), 0.100 amps (2000 lm), 0.110 amps (2500 lm), 0.135 amps (3000 lm)

**POWER FACTOR:** Greater than 0.9

**TOTAL HARMONIC DISTORTION:** Less than 20%

**AMBIENT OPERATING TEMPERATURE:** -20°C to 40°C

**EMERGENCY LIGHTING:** Optional installer mounted Remote Inverter or Emergency LED Driver for lighting up to 90 minutes in event of power failure

**PHOTOMETRIC TESTING:** Tested in accordance to IESNA LM-79-2008

**LISTINGS:** ENERGY STAR® qualified\*, California Title 24 2019 - 2022 JA8-E Compliant, UL Listed for Wet Location (option), IP65 rated (option), UL Certified US-CA, Declare, NSF/ANSI-2 Splash Zone Safe\*\*, Dark Sky Compliant (option), DALI-2 Compliant

**LIFETIME:** 50,000 hours at 70% lumen maintenance

**CYLINDER:** Extruded aluminum; 4" (small), 8" (medium), 12" (large)

**FINISH:** White, Black, Bronze, Brushed Aluminum, Custom Color

**MOUNT:** Installs in most 3" octagonal, 4" octagonal, 3" round, 4" round and 4" square boxes.

**JUNCTION BOX COVERS:** Allows up to 4 solid metal conduit branches. Compatible with 4" octagonal and 4" square boxes.

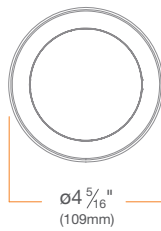
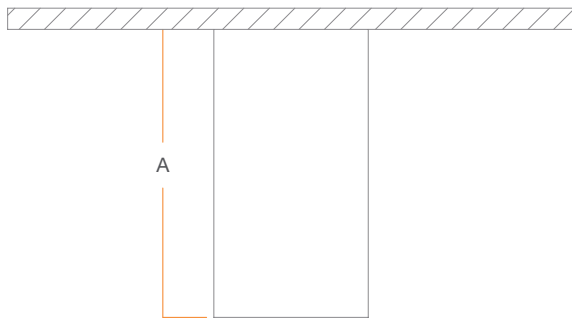
**WARRANTY:** 5 year limited warranty

\* Refer to ENERGY STAR Certified light fixtures database

\*\* This product is evaluated in accordance to NSF/ANSI 2 for Splash Zones having designated trim finishes

## Surface Mount

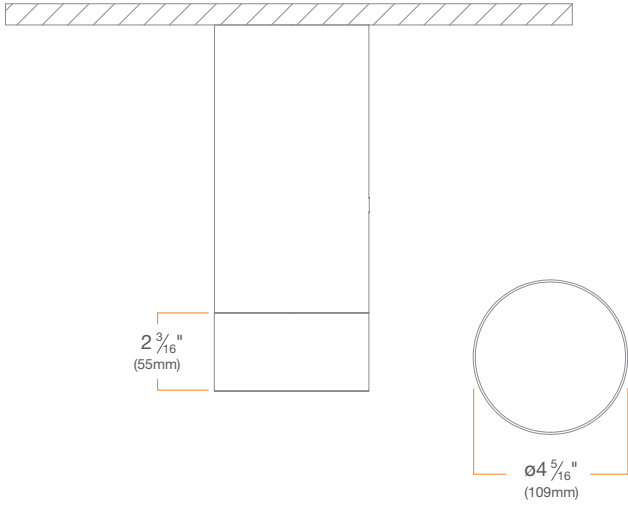
### DC4SM



CYLINDER SIZE	A
Small	4" [102 mm]
Medium	8" [203 mm]
Large	12" [305 mm]

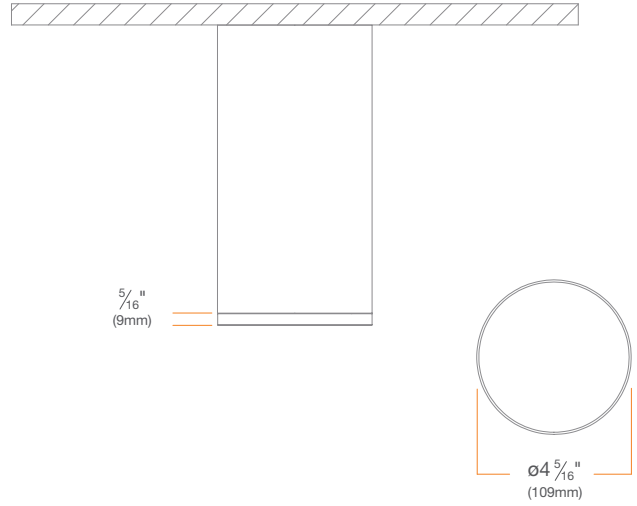
## Decorative Trim

DCCX-D



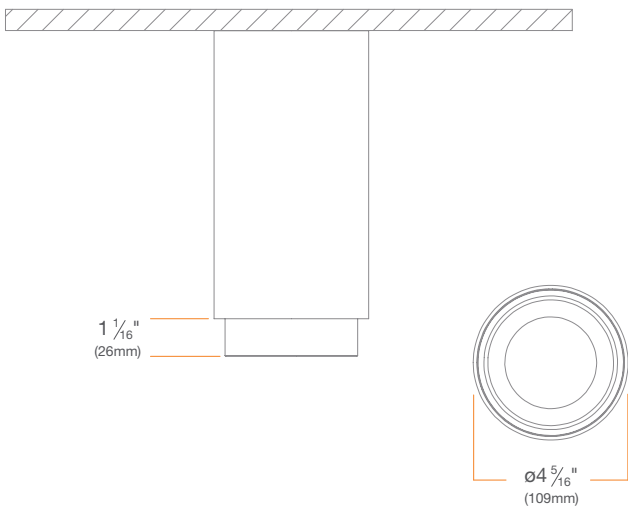
## Low-Profile Decorative Trim

DCCX-L



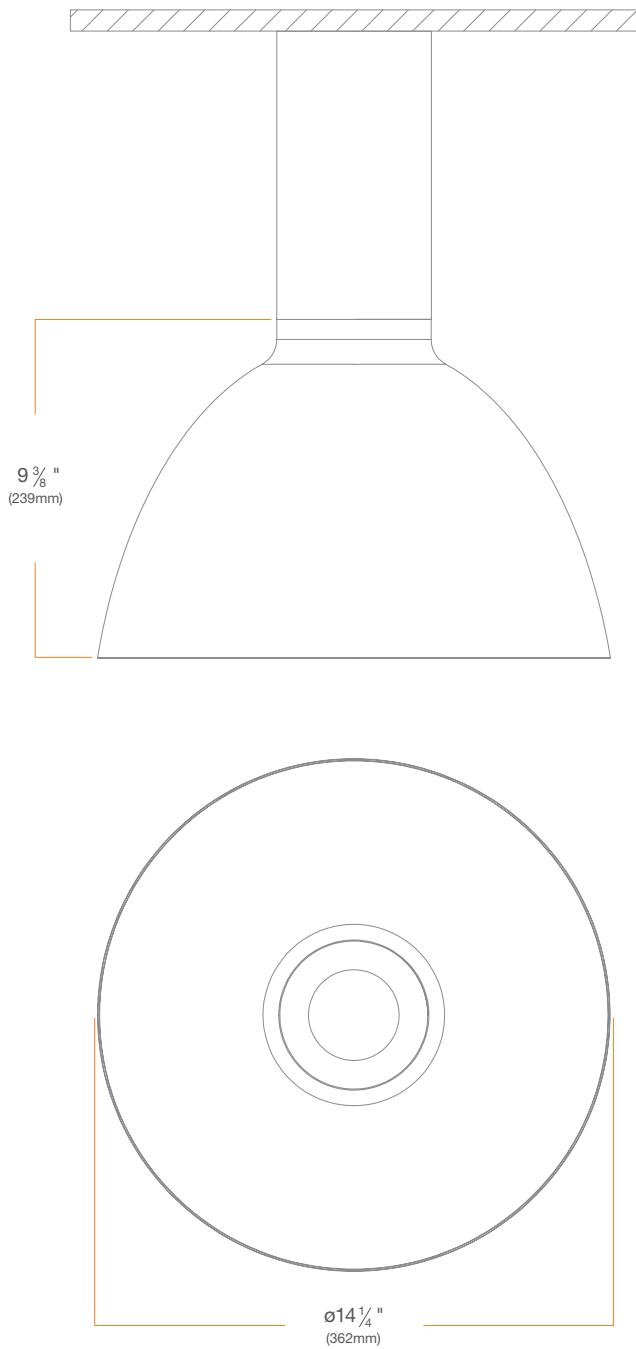
## Snoot Trim

DCCX-S



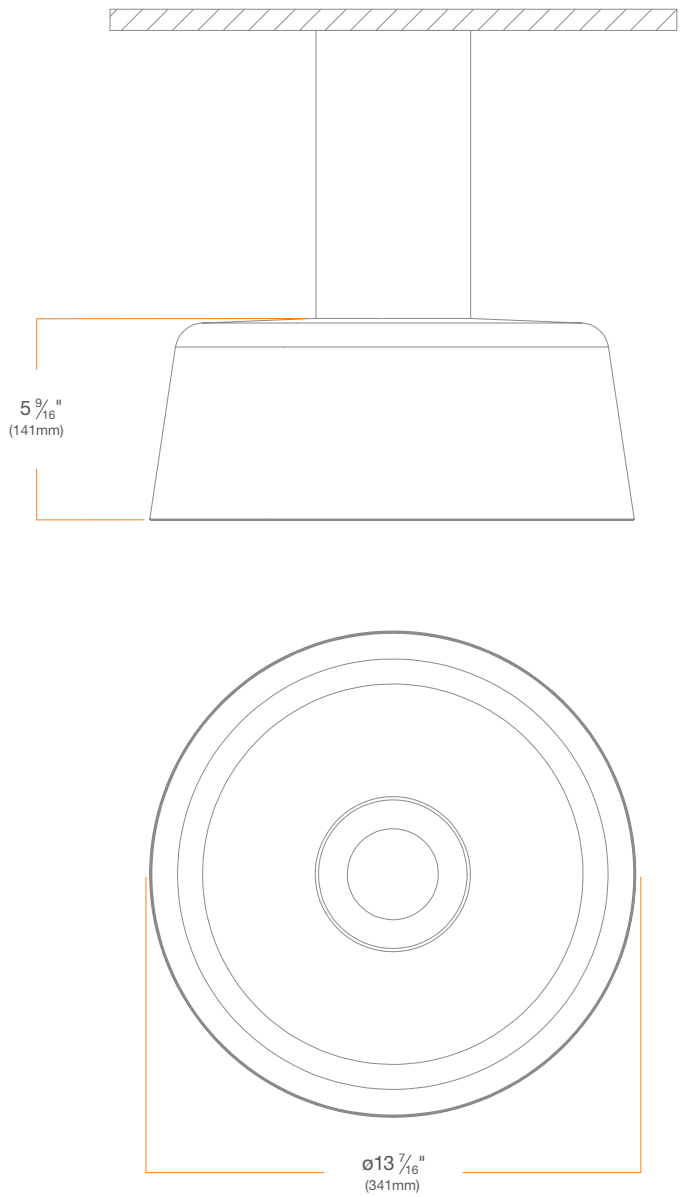
## Round Shade

DCCX-R



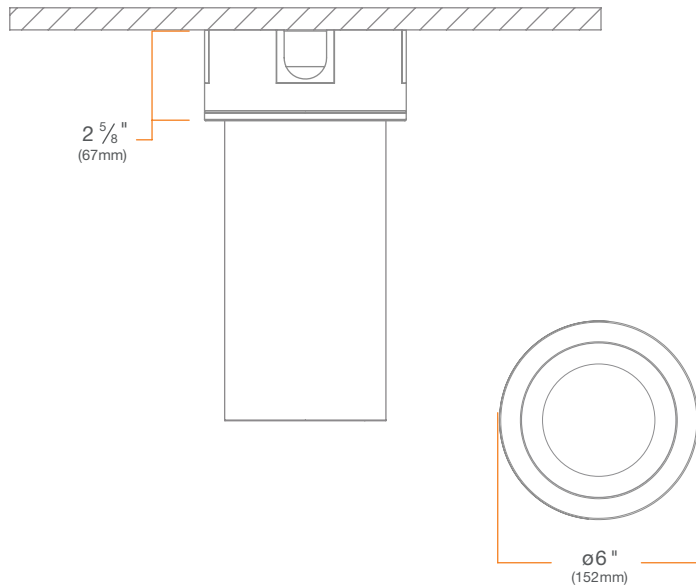
## Flat Shade

DCCX-F

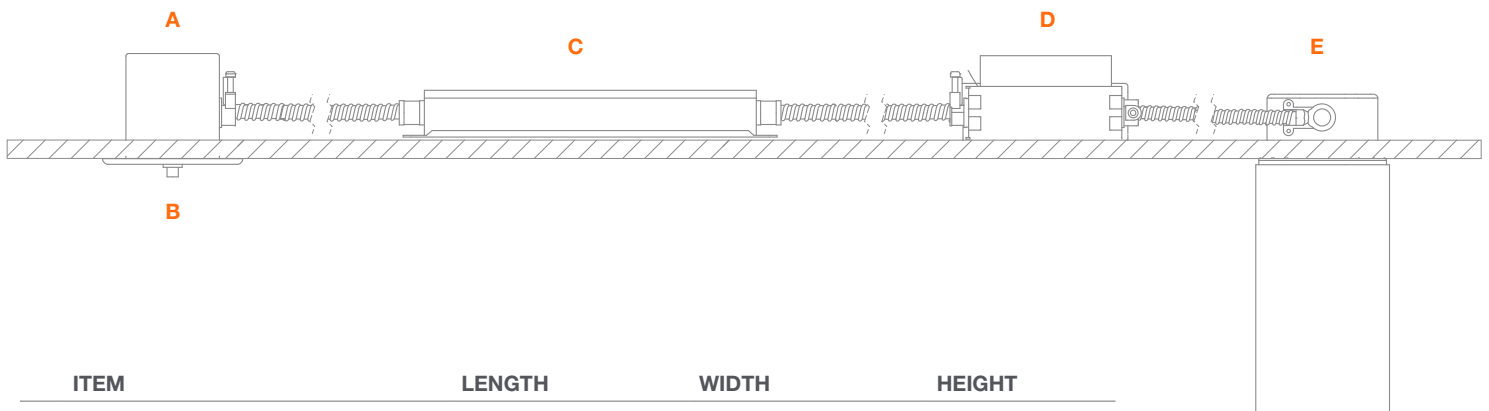


## Junction Box (J-Box) Cover

DCCX-J



## Emergency Lighting Kit



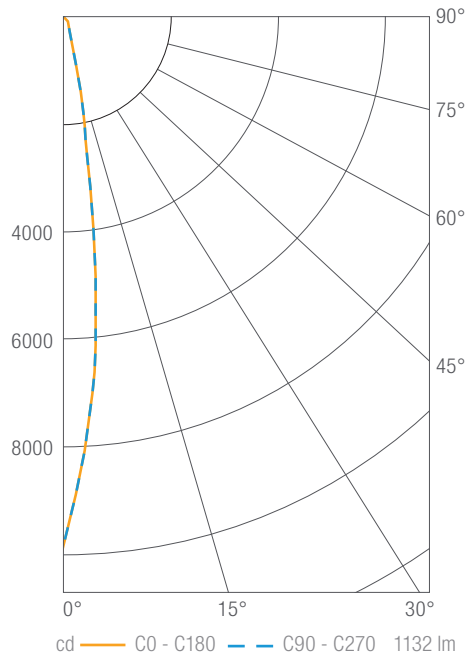
ITEM	LENGTH	WIDTH	HEIGHT
A Junction Box (not included)	N/A	N/A	N/A
B Remote Test Switch	4 1/2" [114 mm]	2 3/4" [70 mm]	9/16" [15 mm]
C Emergency LED Driver (Battery)	10 5/8" [271 mm]	2 5/16" [58 mm]	1 1/2" [38 mm]
D Cylinder Driver	4 15/16" [126 mm]	3 3/8" [85 mm]	2 1/16" [68 mm]
E Junction Box (not included)	N/A	N/A	N/A



## PRODUCT SUMMARY

### M Series Cylinder Fixed, 1000 lm, 3000K, Narrow Spot

DC4xxxxD10NSxxxxx30



#### Luminous Intensity

Gamma	C 0°
0°	9823
5°	6600
10°	2335
15°	734
20°	357
25°	244
30°	195
35°	159
40°	116
45°	85
50°	61
55°	42
60°	28
65°	16
70°	7
75°	4
80°	2
85°	1
90°	0

Values in candela

#### Zonal Lumen Summary

Zone	Lumens	Luminaire %
0-30	906	80
0-40	1004	89
0-60	1110	98
0-90	1131	100
0-180	1132	100

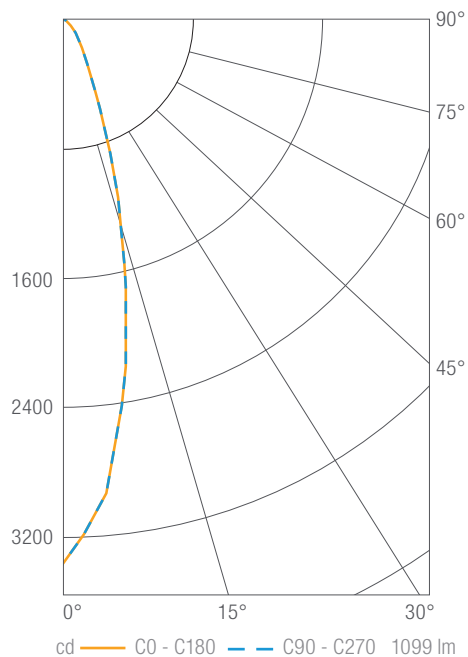
#### Illuminance Chart

Distance from LED	Foot Candles	Diameter
3'	1091	0.7'
6'	273	1.5'
9'	121	2.2'
12'	68	2.9'

Beam Angle: 14°

### M Series Cylinder Fixed, 1000 lm, 3000K, Spot

DC4xxxxD10SPxxxxx30



#### Luminous Intensity

Gamma	C 0°
0°	3366
5°	2967
10°	2203
15°	1391
20°	775
25°	419
30°	248
35°	167
40°	119
45°	87
50°	62
55°	43
60°	26
65°	15
70°	7
75°	4
80°	2
85°	1
90°	0

Values in candela

#### Zonal Lumen Summary

Zone	Lumens	Luminaire %
0-30	862	78
0-40	971	88
0-60	1078	98
0-90	1098	100
0-180	1099	100

#### Illuminance Chart

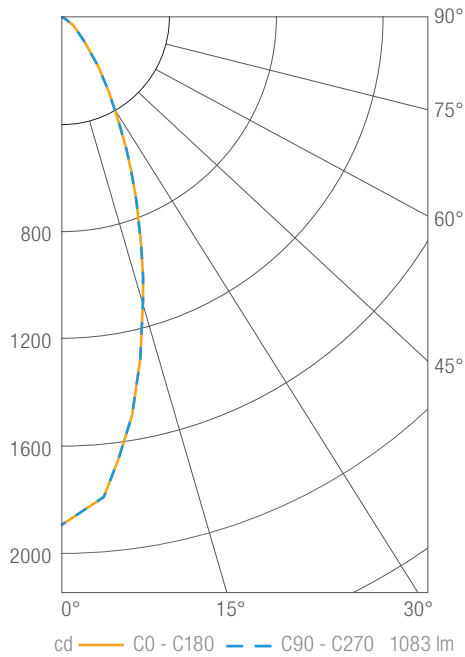
Distance from LED	Foot Candles	Diameter
3'	374	1.4'
6'	93	2.8'
9'	42	4.2'
12'	23	5.6'

Beam Angle: 26°

## PRODUCT SUMMARY

### M Series Cylinder Fixed, 1000 lm, 3000K, Flood

DC4xxxxD10FLxxxxx30



Luminous Intensity

Gamma	C 0°
0°	1890
5°	1792
10°	1503
15°	1161
20°	849
25°	589
30°	391
35°	256
40°	162
45°	107
50°	74
55°	51
60°	30
65°	18
70°	8
75°	5
80°	3
85°	1
90°	0

Values in candela

Zonal Lumen Summary

Zone	Lumens	Luminaire %
0-30	760	70
0-40	925	85
0-60	1058	98
0-90	1081	100
0-180	1083	100

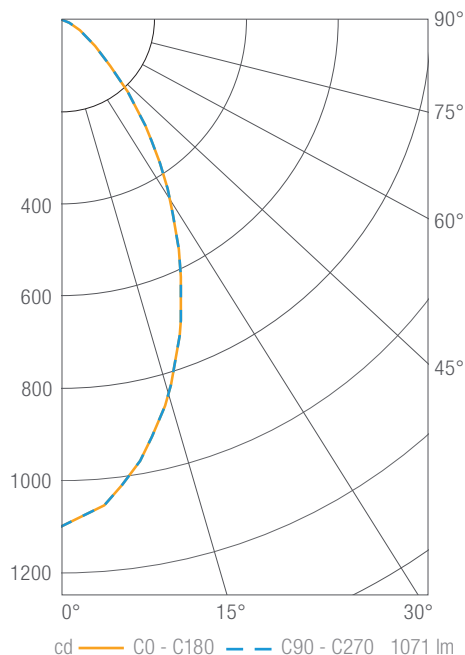
Illuminance Chart

Distance from LED	Foot Candles	Diameter
3'	210	2.0'
6'	52	4.0'
9'	23	6.0'
12'	13	8.0'

Beam Angle: 37°

### M Series Cylinder Fixed, 1000 lm, 3000K, Wide Flood

DC4xxxxD10WFxxxxx30



Luminous Intensity

Gamma	C 0°
0°	1100
5°	1058
10°	973
15°	866
20°	743
25°	609
30°	478
35°	361
40°	252
45°	161
50°	102
55°	68
60°	41
65°	24
70°	11
75°	6
80°	4
85°	2
90°	0

Values in candela

Zonal Lumen Summary

Zone	Lumens	Luminaire %
0-30	620	58
0-40	845	79
0-60	1037	97
0-90	1069	100
0-180	1071	100

Illuminance Chart

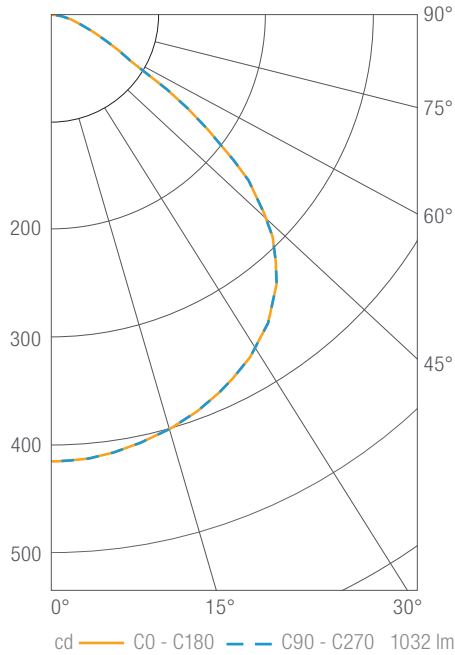
Distance from LED	Foot Candles	Diameter
3'	122	3.1'
6'	31	6.2'
9'	14	9.3'
12'	8	12.3'

Beam Angle: 55°

## PHOTOMETRY

### M Series Cylinder Fixed, 1000 lm, 3000K, General Ambient

DC4xxxxD10GAxxxxx30



Luminous Intensity

Gamma	C 0°
0°	416
5°	415
10°	410
15°	403
20°	394
25°	382
30°	369
35°	351
40°	327
45°	291
50°	240
55°	162
60°	84
65°	54
70°	33
75°	21
80°	12
85°	6
90°	1

Values in candela

Zonal Lumen Summary

Zone	Lumens	Luminaire %
0-30	333	32
0-40	557	54
0-60	942	91
0-90	1024	99
0-180	1032	100

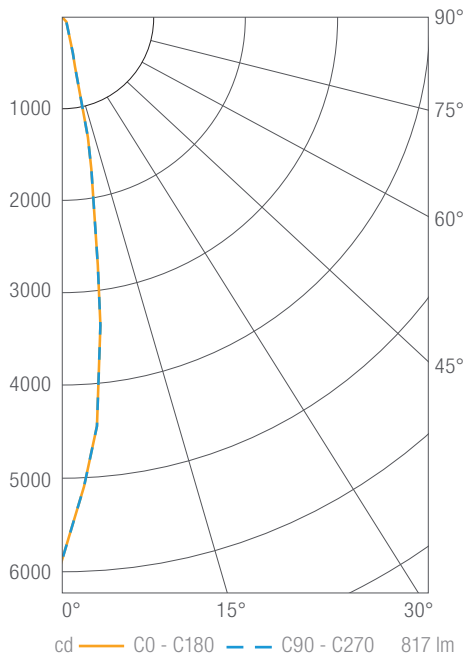
Illuminance Chart

Distance from LED	Foot Candles	Diameter
3'	46	7.8'
6'	12	15.5'
9'	5	23.3'
12'	3	31.1'

Beam Angle: 100°

### M Series Cylinder Adjustable, 750 lm, 3000K, Narrow Spot

DC4xxxxA07NSxxxxx30



Luminous Intensity

Gamma	C 0°
0°	5897
5°	4418
10°	1911
15°	561
20°	280
25°	165
30°	117
35°	87
40°	69
45°	57
50°	47
55°	38
60°	31
65°	23
70°	16
75°	10
80°	4
85°	1
90°	0

Values in candela

Zonal Lumen Summary

Zone	Lumens	Luminaire %
0-30	645	79
0-40	701	86
0-60	781	96
0-90	817	100
0-180	817	100

Illuminance Chart

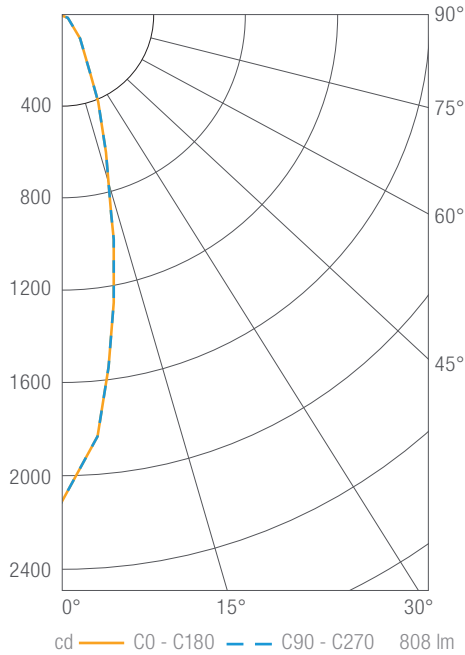
Distance from LED	Foot Candles	Diameter
3'	655	0.8'
6'	164	1.7'
9'	73	2.5'
12'	41	3.3'

Beam Angle: 16°

## PHOTOMETRY

### M Series Cylinder Adjustable, 750 lm, 3000K, Spot

DC4xxxxA07SPxxxxx30



Luminous Intensity

Gamma	C 0°
0°	2105
5°	1826
10°	1282
15°	800
20°	497
25°	310
30°	201
35°	137
40°	98
45°	73
50°	57
55°	45
60°	35
65°	23
70°	12
75°	5
80°	3
85°	2
90°	0

Values in candela

Zonal Lumen Summary

Zone	Lumens	Luminaire %
0-30	573	71
0-40	668	83
0-60	773	96
0-90	808	100
0-180	808	100

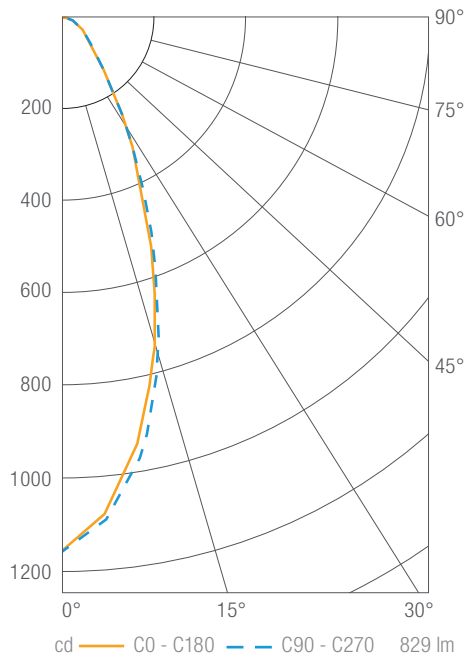
Illuminance Chart

Distance from LED	Foot Candles	Diameter
3'	234	1.3'
6'	58	2.6'
9'	26	3.9'
12'	15	5.2'

Beam Angle: 28°

### M Series Cylinder Adjustable, 750 lm, 3000K, Flood

DC4xxxxA07FLxxxxx30



Luminous Intensity

Gamma	C 0°
0°	1158
5°	1081
10°	941
15°	765
20°	576
25°	414
30°	288
35°	192
40°	130
45°	96
50°	76
55°	61
60°	49
65°	38
70°	28
75°	18
80°	10
85°	4
90°	0

Values in candela

Zonal Lumen Summary

Zone	Lumens	Luminaire %
0-30	510	62
0-40	633	76
0-60	766	92
0-90	829	100
0-180	829	100

Illuminance Chart

Distance from LED	Foot Candles	Diameter
3'	129	2.2'
6'	32	4.5'
9'	14	6.7'
12'	8	9.0'

Beam Angle: 41°