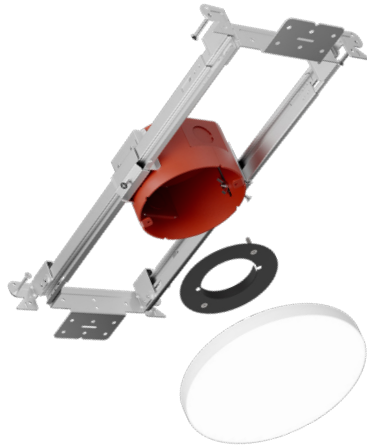


Project:	Type:
Product Code:	Date:

V040924



8" Round & 18" Linear Surface Mount Downlights

F4NC 4" New Construction
Fire Rated Shallow Junction Box

- 8" round area light for lighting smaller spaces including bathrooms, closets and kitchens
- 18" x 4" rectangular area light perfect for narrow applications such as corridors or kitchen islands
- Extends just 0.6" below the ceiling plane to minimize visual profile
- Features multiple ratings to meet the demands of a wide range of situations

INSTALLATION

Ceiling Thickness

SurfaceFrame: 0" up to 1 1/2"

SurfaceFrame (Emergency): 1/2" up to 1 1/4"

Ceiling Material

Drywall

PHYSICAL

Housing

4" Round Junction Box

Application

New Construction

Shape

8" Round & 18" x 4" Rectangle

Finish

White

LIGHT OUTPUT & DISTRIBUTION

Module

Downlight

Lumens (Power)

1500 lm (17.0W)

Color Quality

90+ CRI, <3-step SDCM

Color Temperature

● 2700K ● 3000K ● 3500K

POWER & CONTROLS

Input Voltage

120V only (TRIAC/ELV), 120/277V (0-10V)

Dimming

TRIAC/ELV (5%), 0-10V (1%)

Emergency Lighting

Optional Emergency LED Driver with integrated Test Switch for lighting up to 90 minutes in event of power failure

RATINGS & CERTIFICATIONS

Housing

- IC (Insulation Contact) Rated
- ASTM E283 Certified Air Tight
- Code compliant for use in fire-rated assemblies up to a maximum of 2-hours
- STC/IIC Sound Rated
- RoHS Compliant

Module

- UL Listed for Wet Location

Warranty

5 year limited warranty; 50,000 hours





PRODUCT BUILDER - TRIAC/ELV, 0-10V

HOUSING

F4NC	4" New Construction Fire Rated Shallow Junction Box
-------------	---

8" ROUND MODULE

PRODUCT CODE		DIMENSION		SHAPE		LUMENS		CRI		CCT		DRIVER	
DRD5S	Module	8	8" Diameter	R	Round	15	1500 lm	9	90+ CRI	27	2700K	[Blank]	TRIAC/ELV
										30	3000K	O	0-10V
										35	3500K		

18" LINEAR MODULE

PRODUCT CODE		DIMENSION		SHAPE		LUMENS		CRI		CCT		DRIVER	
DRD5S	Module	4	4" Width	L	Linear	15	1500 lm	9	90+ CRI	27	2700K	[Blank]	TRIAC/ELV
										30	3000K	O	0-10V
										35	3500K		

PRODUCT BUILDER - EMERGENCY LIGHTING

HOUSING

F4NC150EMS	4" New Construction Fire Rated Shallow Junction Box, 0-10V, 1500 lm, EM Driver, Remote Test Switch
-------------------	--

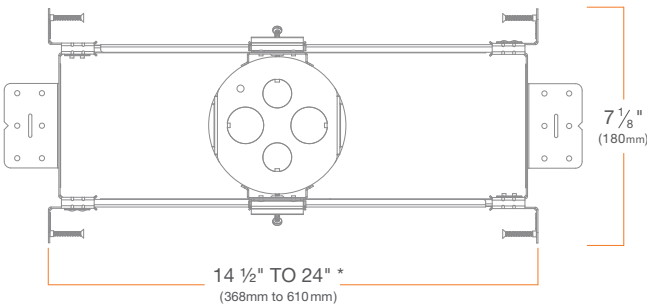
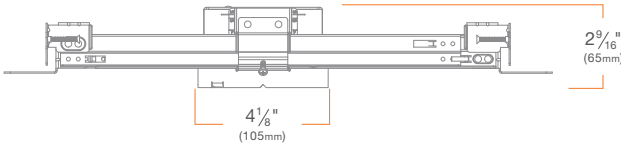
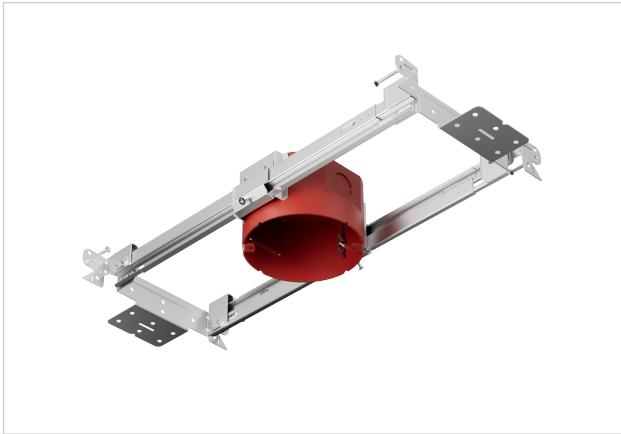
8" ROUND MODULE

PRODUCT CODE		DIMENSION		SHAPE		LUMENS		CRI		CCT		DRIVER	
DRD5S	Module	8	8" Diameter	R	Round	15	1500 lm	9	90+ CRI	27	2700K	A	Alternate
										30	3000K		
										35	3500K		

18" LINEAR MODULE

PRODUCT CODE		DIMENSION		SHAPE		LUMENS		CRI		CCT		DRIVER	
DRD5S	Module	4	4" Width	L	Linear	15	1500 lm	9	90+ CRI	27	2700K	A	Alternate
										30	3000K		
										35	3500K		

HOUSING



* Can be field cut to minimum 7 1/2" (191mm)

SurfaceFrame

4" New Construction Fire Rated Junction Box

F4NC

SUMMARY

JUNCTION BOX: Equipped with (4) 1/2" trade size knockouts (two side, two top) to allow straight conduit runs. Approved for 6 (three in, three out) #12 AWG 70°C through wiring conductors.

MOUNTING: Pre-installed mounting brackets allow vertical adjustment of bar hangers up to 1"

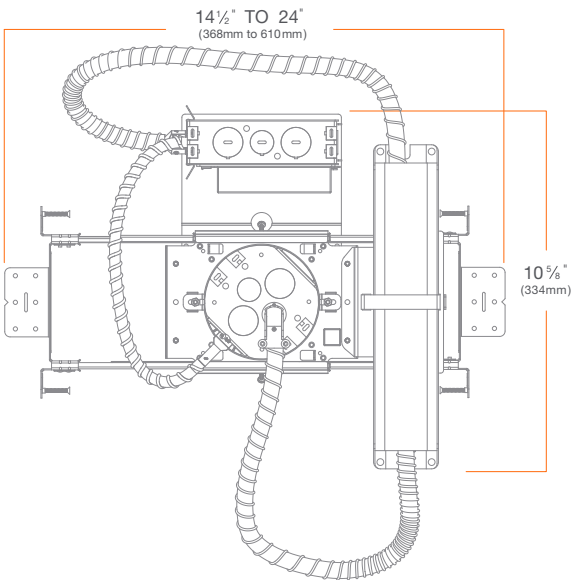
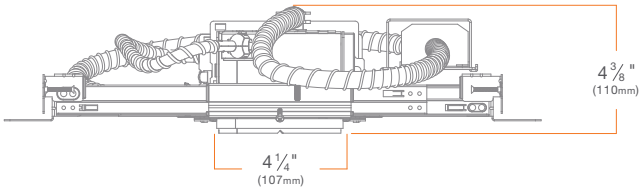
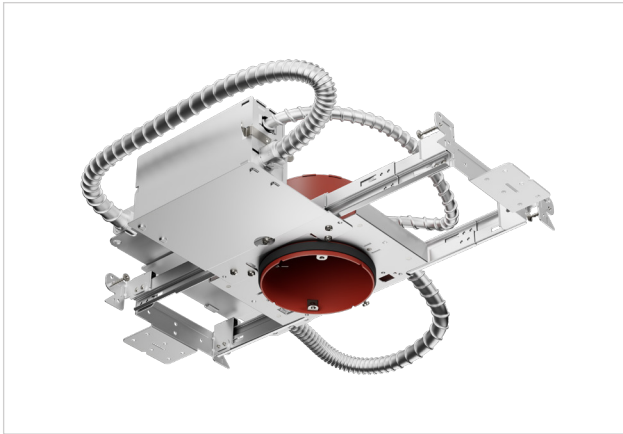
CEILING: 0 to 1 1/2"

CUTOUT: 4 3/16" (106mm) round opening

LISTINGS: Metallic outlet box certified UL514A, code compliant for use in appropriate fire-rated assemblies for up to 2-hours, STC/IIC Sound Rated, ASTM E283 certified Air Tight, IC (Insulation Contact) rated

WARRANTY: 5 year limited warranty

EMERGENCY HOUSING



* Can be field cut to minimum 9" (229mm)

SurfaceFrame

4" New Construction Fire Rated Junction Box with Emergency Lighting

F4NC

SUMMARY

JUNCTION BOX: Equipped with (4) 1/2" trade size knockouts (two side, two top) to allow straight conduit runs. Approved for 6 (three in, three out) #12 AWG 70°C through wiring conductors.

MOUNTING: Pre-installed mounting brackets allow vertical adjustment of bar hangers up to 1"

CEILING: 1/2" up to 1 1/4"

CUTOUT: 4 3/16" (106mm) round opening

LISTINGS: Metallic outlet box certified UL514A, code compliant for use in appropriate fire-rated assemblies for up to 2-hours, STC/IIC Sound Rated, ASTM E283 certified Air Tight, IC (Insulation Contact) rated

WARRANTY: 5 year limited warranty

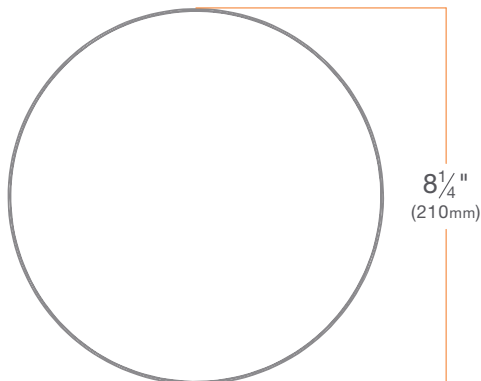
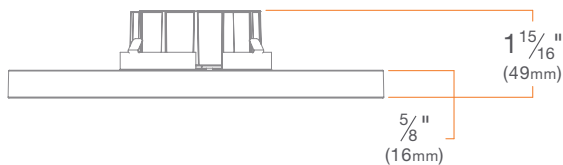
MODULE

**DRD5S**

8" Round Surface Mount Module

DRD5S8R

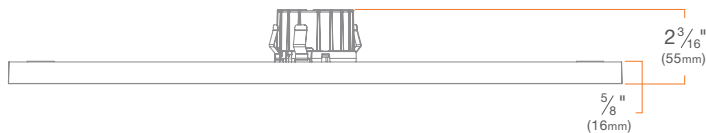
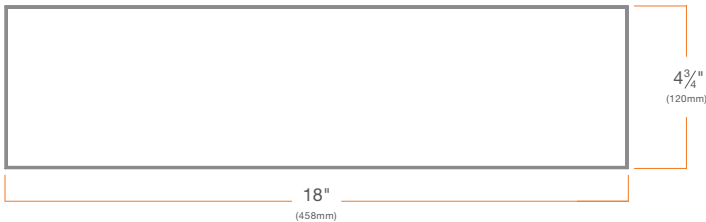
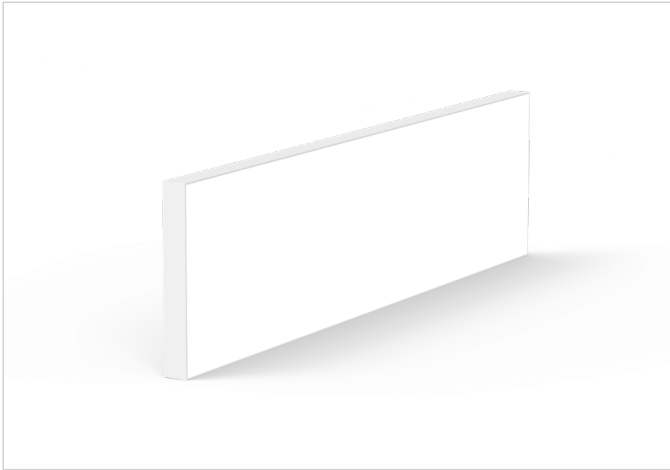
SUMMARY

LED: Optimized LED array**SHAPE:** 8" round**MODULE LUMENS:** 1500 lm (17W)**COLOR QUALITY:** 90+ CRI, less than 3-step SDCM**CCT:** 2700K, 3000K, 3500K**INPUT VOLTAGE:** 120/277V****DIMMING:** Down to less than 5% for TRIAC/ELV at 120V, 1% for 0-10V at 120/277V**MAX INPUT CURRENT (120V):** 0.15 amps**MAX INPUT CURRENT (277V):** 0.06 amps**POWER FACTOR:** Greater than 0.9**TOTAL HARMONIC DISTORTION:** Less than 20%**AMBIENT OPERATING TEMPERATURE:** -20°C to 40°C**EMERGENCY LIGHTING:** Optional Emergency LED Driver for lighting up to 90 minutes in event of power failure**PHOTOMETRIC TESTING:** Tested in accordance to IESNA LM-79-2008**TRIM:** Edgeless die-cast aluminum**LISTINGS:** ENERGY STAR® Qualified*, California Title 24 2016-2022 JA8-E Compliant, UL Listed for Wet Location, UL Certified US-CA**LIFETIME:** 50,000 hours at 70% lumen maintenance**WARRANTY:** 5 year limited warranty

* Refer to ENERGY STAR Certified light fixtures database

** Visit rb.gy/8xj3e to learn more

MODULE



DRD5S

18" Linear Surface Mount Module

DRD5S4L

SUMMARY

LED: Optimized LED array

SHAPE: 18" x 4" rectangle

MODULE LUMENS: 1500 lm (17W)

COLOR QUALITY: 90+ CRI, less than 3-step SDCM

CCT: 2700K, 3000K, 3500K

INPUT VOLTAGE: 120/277V

DIMMING: Down to less than 5% for TRIAC/ELV at 120V, 1% for 0-10V at 120/277V

MAX INPUT CURRENT (120V): 0.15 amps

MAX INPUT CURRENT (277V): 0.06 amps

POWER FACTOR: Greater than 0.9

TOTAL HARMONIC DISTORTION: Less than 20%

AMBIENT OPERATING TEMPERATURE: -20°C to 40°C

EMERGENCY LIGHTING: Optional Emergency LED Driver for lighting up to 90 minutes in event of power failure

PHOTOMETRIC TESTING: Tested in accordance to IESNA LM-79-2008

TRIM: Edgeless die-cast aluminum

LISTINGS: ENERGY STAR® Qualified*, California Title 24 2016-2022 JA8-E Compliant, UL Listed for Wet Location, UL Certified US-CA

LIFETIME: 50,000 hours at 70% lumen maintenance

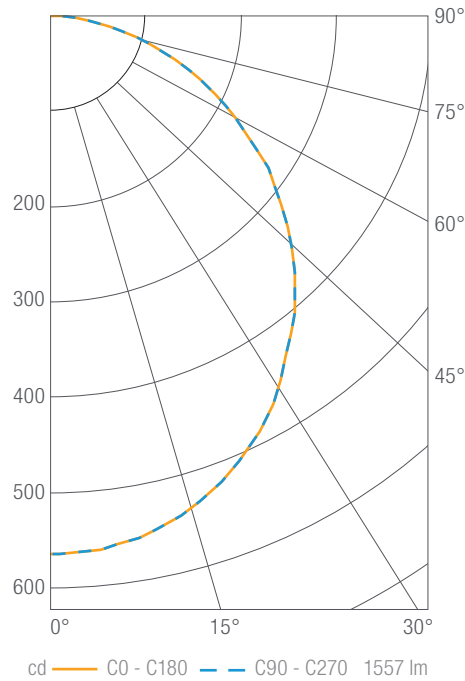
WARRANTY: 5 year limited warranty

* Refer to ENERGY STAR Certified light fixtures database

PHOTOMETRY

DRD5S 8" Round, 1500 lm, 90 CRI, 3000K

DRD5S8R15930



Luminous Intensity

Gamma	C 0°
0°	567
5°	564
10°	556
15°	542
20°	523
25°	499
30°	469
35°	433
40°	400
45°	360
50°	318
55°	279
60°	232
65°	189
70°	145
75°	100
80°	57
85°	25
90°	2

Values in candela

Zonal Lumen Summary

Zone	Lumens	Luminaire %
0-30	436	28
0-40	708	46
0-60	1234	79
0-90	1557	100
0-180	1557	100

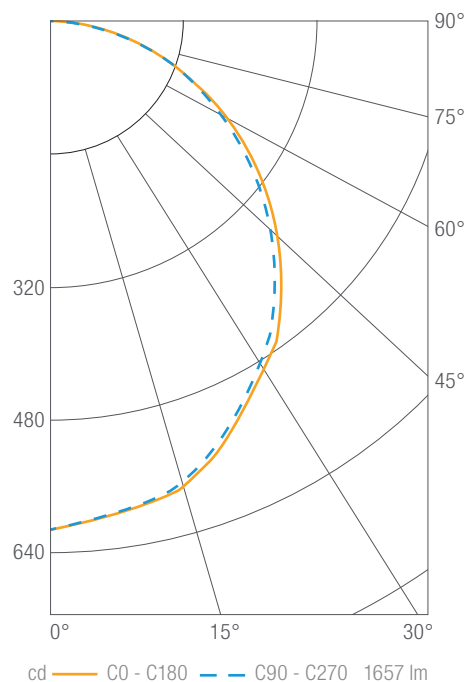
Illuminance Chart

Distance from LED	Foot Candles	Diameter
3.0'	63	8.4'
6.0'	16	16.8'
9.0'	7	25.1'
12.0'	4	33.5'

Beam Angle: 110°

DRD5S 18" Linear, 1500 lm, 90 CRI, 3000K

DRD5S4L15930



Luminous Intensity

Gamma	C 0°
0°	567
5°	564
10°	556
15°	542
20°	523
25°	499
30°	469
35°	433
40°	400
45°	360
50°	318
55°	279
60°	232
65°	189
70°	145
75°	100
80°	57
85°	25
90°	2

Values in candela

Zonal Lumen Summary

Zone	Lumens	Luminaire %
0-30	465	28
0-40	755	46
0-60	1316	79
0-90	1657	100
0-180	1657	100

Illuminance Chart

Distance from LED	Foot Candles	Dimension
3.0'	68	8.2' x 8.4'
6.0'	17	16.3' x 16.7'
9.0'	8	24.5' x 25.1'
12.0'	4	32.7' x 33.4'

Beam Angle: 110°