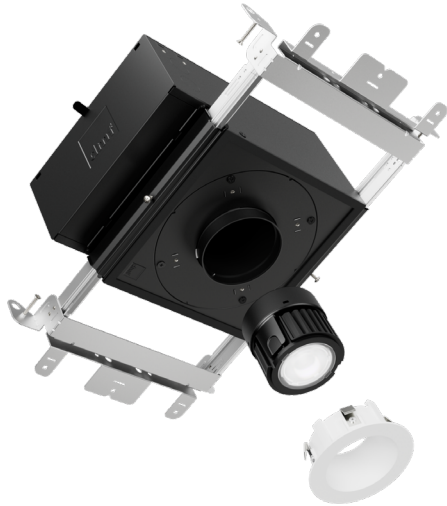


Project:	Type:
Product Code:	Date:



## Artafex 2" Round Downlight

**SMALL APERTURE** Delivers the ultimate in quiet ceiling designs

**PRECISION LOCK COLLAR** Eliminates over-cutting and ensures perfect cutout

**ARCHITECTURE-GRADE** Deep die-cast aluminum knife edge trim provide unmatched precision and exceptionally easy installation

**DIMMING COMPATIBILITY GUARANTEED** In-house designed integrated driver ensures seamless compatibility with every major lighting control system

### INSTALLATION

#### Ceiling Thickness

Flangeless: 1/2" up to 1 1/4"

New Construction: 1/2" up to 1 1/4"

#### Ceiling Material

Drywall, Millwork

### TRIMS

#### Style

Standard, Hyperbolic, Wall Wash, Pinhole, Micro Flange, Flangeless

#### Finish

White, Black, Bronze, Clear Diffuse, Custom (RAL colors)

### LIGHT OUTPUT & DISTRIBUTION

#### Module

Downlight

#### Lumens (Power)

1000 lm (14.5W)

#### Color Quality

True Spectrum™

#### Color Temperature

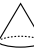
 Tunable White (4000K-1800K)

#### Beam Spread

 30° Spot

 40° Flood

 50° x 30° Linear Spread

 50° Wide Flood

### POWER & CONTROLS

#### Input Voltage

120V

#### Dimming


PhaseX (0.1%)

### RATINGS & CERTIFICATIONS

 IC (Insulation Contact) Rated\*

 ASTM E283 Certified Air Tight

 Chicago Plenum

 UL Listed for Wet Location (Flanged Trims Only)

 RoHS Compliant

 DarkSky Approved\*\*

\* New Construction only; IC for Roll, Batt, Loose Fill and Spray Foam see Housing section for details

\*\*Downlight only, CCT less than or equal to 3000K, non-decorative trims only

### WARRANTY

5 year limited warranty; 50,000 hours



Declare.



## PRODUCT BUILDER

### ROUND HOUSING

PRODUCT CODE		INSTALLATION		SHAPE	
X2				R	
X2	2" Housing	NC	New Construction	R	Round
		CP	Chicago Plenum		

ART2-NCRFL	2" Flangeless Housing, Round
------------	------------------------------

### GATEWAY

PRODUCT CODE	
ART-GWX	
ART-GWX	DMX Input

### MODULE

PRODUCT CODE		LUMENS		COLORMETRIC		CCT		BEAM SPREAD		DIMMING	
ART2D		10		T		T1				X	
ART2D	Downlight	10	1000 lm	T	True Spectrum™	T1	Tunable White (4000K - 1800K) <sup>1</sup>	SP	Spot (30°)	X	Phase X
								FL	Flood (40°)		
								WF	Wide Flood (50°)		
								LS	Linear Spread (50°x30°)		

<sup>1</sup> Only available in 1000 lm

### ROUND TRIM

PRODUCT CODE		FINISH		OPTION	
X2TRDS	2" Standard Trim	WH	White	[Blank]	None
X2TRDW	2" Wall Wash Trim <sup>2</sup>	BK	Black	MF	Micro Flange <sup>4</sup>
X2TRDP	2" Pinhole Trim <sup>3</sup>	BZ	Bronze	FL	Flangeless <sup>4,6</sup>
X2TRDH	2" Hyperbolic Trim <sup>3</sup>	CW	Clear Diffuse, White Flange		
		CC	Custom (RAL colors) <sup>5</sup>		

<sup>2</sup> Recommended with Wide Flood beam spread

<sup>3</sup> Only available in White or Black finish;  
Not available in Micro Flange

<sup>4</sup> Not available in Clear Diffuse finish

<sup>5</sup> Only available in Standard Round Flange or Micro Flange

<sup>6</sup> Requires Flangeless Mud or Wood Kit in New Construction housings

## PRODUCT BUILDER

---

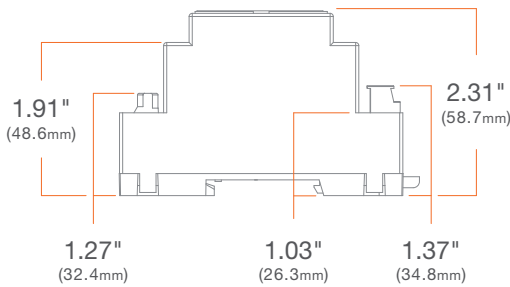
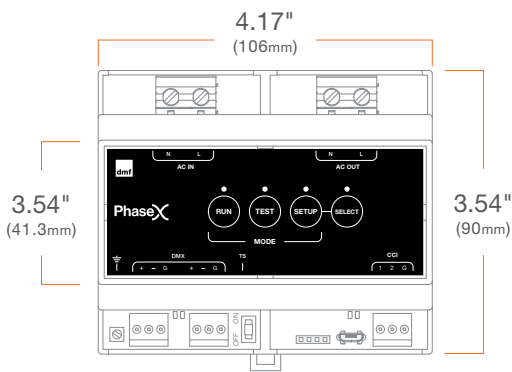
### OPTICS

<b>DXOP</b>	Bundled Downlight Optics Kit <i>(Includes Spot, Flood, Wide Flood and Linear Spread)</i>
<b>DXSP</b>	Spot (30°) Optic
<b>DXFL</b>	Flood (40°) Optic
<b>DXWF</b>	Wide Flood (50°) Optic
<b>DXLS</b>	Linear Spread (50°x30°) Optic
<b>DXHD</b>	High Diffusion Front Lens <i>(Can be paired with all beam spreads to provide extra diffusion; Only available as an optical accessory)</i>
<b>DXCD</b>	Clear Front Lens <i>(Can be paired with all beam spreads to decrease diffusion and define edges; Only available as an optical accessory)</i>

### ACCESSORIES

<b>X2KRMUD</b>	Flangeless Mud Kit <i>(Required for New Construction installation of Flangeless Trim in drywall ceiling)</i>
<b>X2KRWOOD</b>	Wood Kit <i>(Required for New Construction installation in wood ceiling)</i>
<b>X2KRTEMPLATE</b>	Router Template <i>(Recommended for routing 3 3/16" [81mm] cutout in wood ceiling)</i>
<b>X2KRRETRO6</b>	6" to 2" Retrofit Conversion Kit <i>(Requires drywall plaster to upgrade an existing fixture from 6" to 2".)</i>
<b>X2KRRETRO45</b>	4" or 5" to 2" Retrofit Conversion Kit <i>(Requires drywall plaster to upgrade an existing fixture from 4" or 5" to 2".)</i>
<b>X2CREXT</b>	Drywall Extension Collar <i>(New Construction only, for ceilings up to 3")</i>
<b>X2KRWOODXL</b>	Wood Extension Collar <i>(New Construction only, for ceilings up to 3")</i>

**GATEWAY**



**DMX Input ART-GWX**

**SUMMARY**

The ART-GWX is a Gateway for use with Artafex PhaseX enabled fixtures. It provides full control of up to 64 PhaseX lighting fixtures connected over standard electrical wiring. The ART-GWX interfaces to lighting control systems using the industry standard DMX/RDM protocol unlocking the benefits of digital control and tunable white lighting.

**FEATURES:**

- Digital control of up to 64 fixtures over standard AC wiring
- Ultra reliable, 2-way communication
- Integration using DMX/RDM protocol
- Direct Integration to Crestron Home via DMX-C  
(Requires DIN-GWDL Gateway from Crestron)

**ELECTRICAL RATINGS:**

- Input Voltage: 120VAC, 60Hz
- Max Output Current: 8A

**ELECTRICAL CONNECTIONS**

- AC Input: Screw terminals for AC Line and Neutral. Max 12 AWG wire.
- AC Output Terminal: Screw terminals for AC Line Out and Neutral Out. Max 12 AWG wire.
- DMX Input: (2) 3-position pluggable terminal block. (DMX+, DMX-, G)
- USB: Micro-USB connection for use with PhaseX Commissioning Utility
- Contact Closure: 2 x contact closure inputs. (CCI1, CC2, G)  
(Reserved for future use)

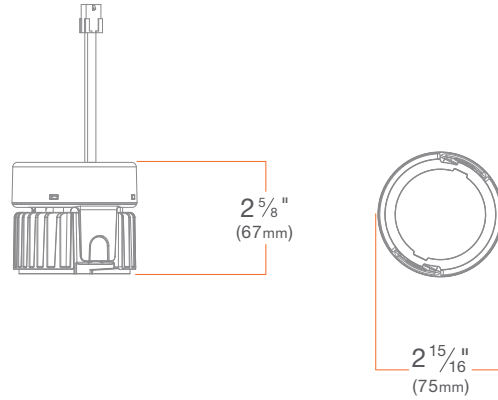
**ENVIRONMENTAL:** 32 – 104°F (0 – 40°C)

**ENCLOSURE:**

- DIN Rail mount
- Black ABS plastic

**COMPLIANCE:**

- UL508, UL8750
- For installation within an electrical enclosure

**MODULE**

**SUMMARY**
**TUNABLE WHITE**

<b>CCT</b>	4000K - 1800K
<b>LUMENS (POWER)</b>	1000 lm (14.5W)
<b>EFFICACY</b>	70 lm/W
<b>WIDTH FOR WOOD COLLAR</b>	4.75"
<b>COLOR QUALITY</b>	True Spectrum™ 93 CRI, 3-step SDCM
<b>BEAM SPREAD</b>	Spot (30°), Flood (40°), Wide Flood (50°), Linear Spread (50° x 30°)
<b>DIMMING</b>	PhaseX
<b>LED CHIP</b>	Bridgelux
<b>LISTINGS</b>	ENERGY STAR® qualified*, California Title 24 2019–2022 JA8-E compliant, UL Listed for Wet Location, UL Certified US-CA, Declare, RoHS compliant

\* Refer to ENERGY STAR Certified light fixtures database

**ADDITIONAL**

**INPUT VOLTAGE:** 120V, 60Hz

**MAX INPUT CURRENT (120V):** 0.13 amps

**CONNECTOR:** 6-pin Molex

**POWER FACTOR:** Greater than 0.9

**TOTAL HARMONIC DISTORTION:** Less than 20%

**AMBIENT OPERATING TEMPERATURE:** -20°C to 40°C

**WARRANTY:** 10 year limited warranty; 50,000 hours at 70% lumen maintenance

TRIMS



SUMMARY

**CONSTRUCTION:** Die-cast aluminum

**FINISH:** Wet paint

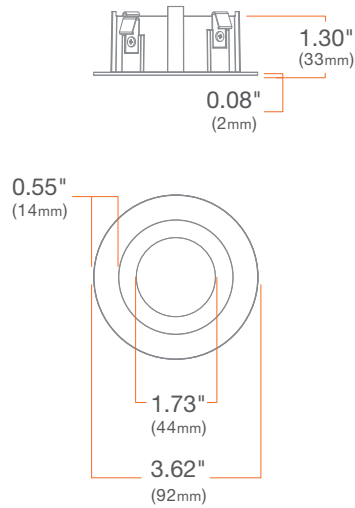
**DECORATIVE:** Acrylic diffuser

**INSTALLATION:** Precision Lock Collar included with Flanged or Micro Flange Trim and Flangeless Mud or Wood Kit

**WARRANTY:** 5 year limited warranty

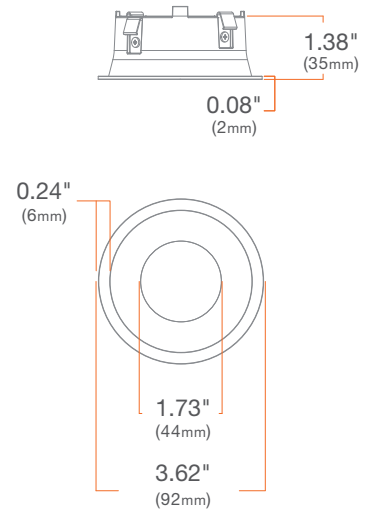
Standard

X2TRDSWH



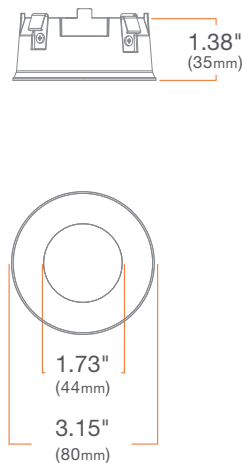
Standard Micro Flange

X2TRDSWHMF



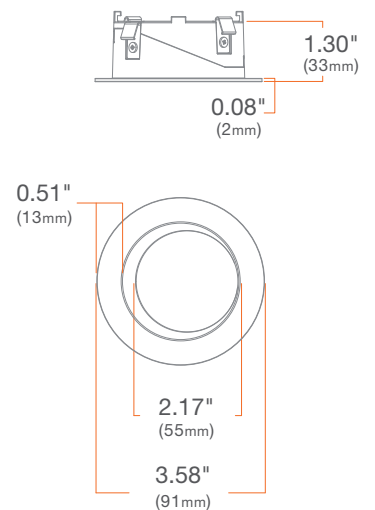
Standard Flangeless

X2TRDSWHFL



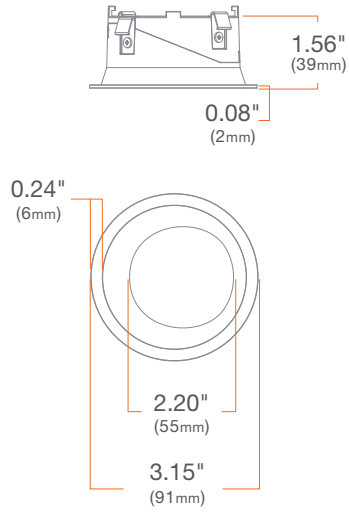
Wall Wash

X2TRDWWH



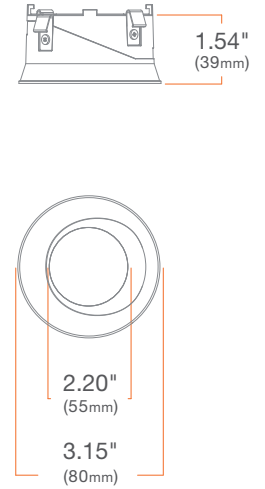
### Wall Wash Micro Flange

X2TRDWWHMF



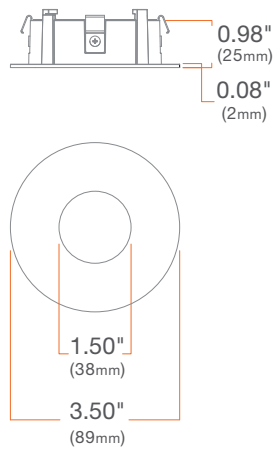
### Wall Wash Flangeless

X2TRDWWHFL



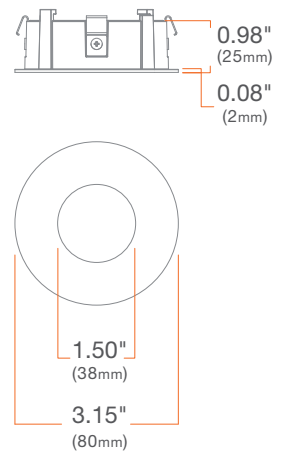
### Pinhole

X2TRDPWH



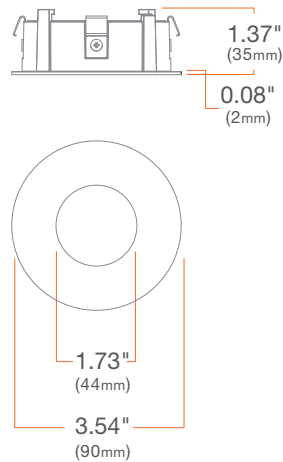
### Pinhole Flangeless

X2TRDPWHFL

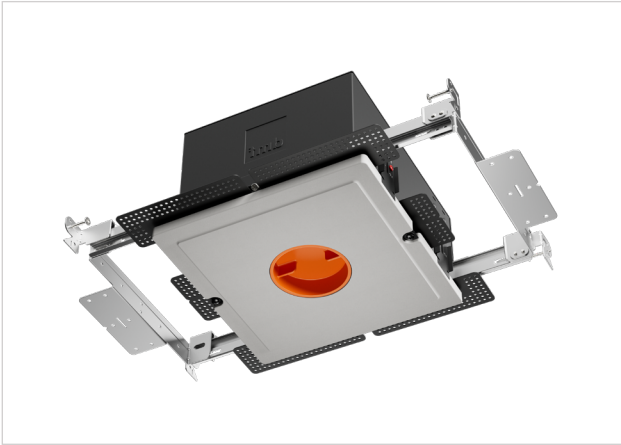


### Hyperbolic

X2TRDWH



## HOUSING



### Flangeless **ART2-NCRFL**

#### SUMMARY

Pre-made gypsum with precise ceiling opening for flangeless trims, and tapered edges for simple drywall taping and feathering.

**JUNCTION BOX:** Equipped with six knockouts: four 1/2" trade size knockouts, two 3/4" trade size knockouts, and four romex knockouts. Approved for 8 (four in, four out) #12 AWG 70°C.

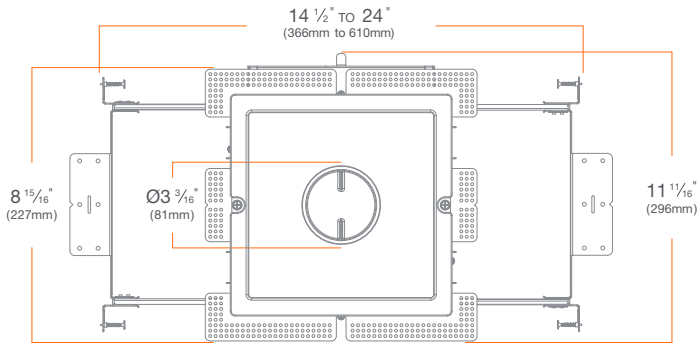
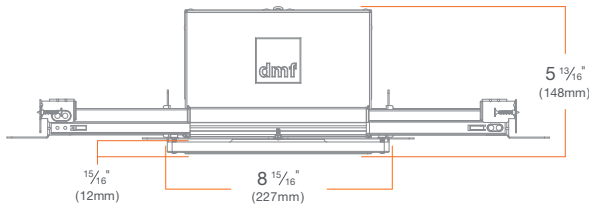
**MOUNTING:** Adjustable Bar Hangers for 14.5" to 24" joist spacing, when bar hangers are broken down, up to 10.5" of joist spacing. Compatible with traditional joists, Armstrong TM ceiling, Hat Channel and T-Bar.

**CEILING:** 1/2" up to 1 1/4" (via vertical adjustment to gypsum board, can be adjusted once ceiling has been installed)

**CUTOUT:** 9" x 9" square opening

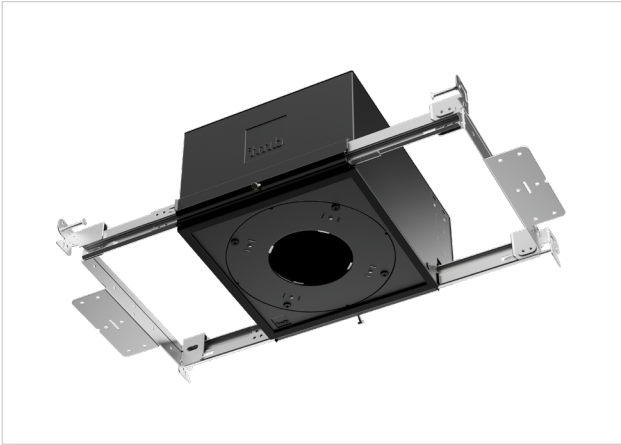
**LISTINGS:** ASTM E283 certified Air Tight, IC (Insulation Contact) up to R-32 for Roll, Batt, and Loose Fill, up to R-60 Spray Foam with standard trims, up to R-32 Spray Foam with other trims or hex louver.

**WARRANTY:** 1 year limited warranty





HOUSING



**New Construction X2NCR**  
**Chicago Plenum X2CPR**

SUMMARY

**JUNCTION BOX:** Equipped with 10 knockouts: four 1/2" trade size knockouts, two 3/4" trade size knockouts, and four romex knockouts. Approved for 8 (four in, four out) #12 AWG 70°C.

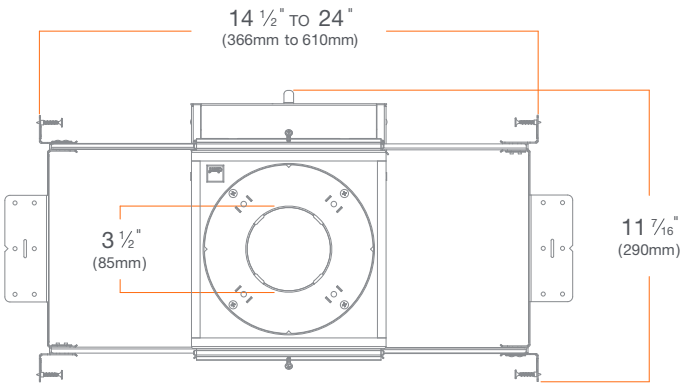
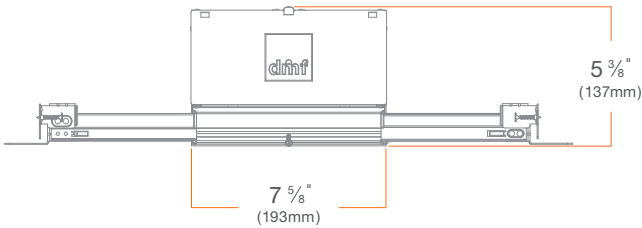
**MOUNTING:** Adjustable Bar Hangers for 14.5" to 24" joist spacing, when bar hangers are broken down, up to 10.5" of joist spacing. Compatible with traditional joists, Armstrong TM ceiling, Hat Channel and T-Bar. Vertical adjustment (0.5"-1.25") through installation of the round collar.

**CEILING:** 1/2" up to 1 1/4"

**CUTOUT:** 3 1/4" (82mm) round opening

**LISTINGS:** Chicago Plenum, ASTM E283 certified Air Tight, IC (Insulation Contact) up to R-32 for Roll, Batt, and Loose Fill, up to R-60 Spray Foam with standard trims, up to R-32 Spray Foam with other trims or hex louver.

**WARRANTY:** 1 year limited warranty



ACCESSORIES

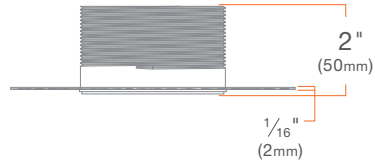
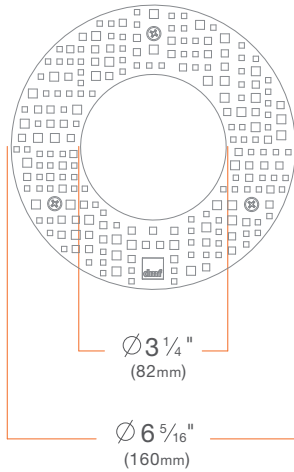


**Flangeless Mud Kit**

**X2KRMUD**

**SUMMARY:** Flangeless Mud Kit (Required for New Construction installation of Flangeless Trim in drywall ceiling)

**CEILING:** 0.5" up to 1.25"

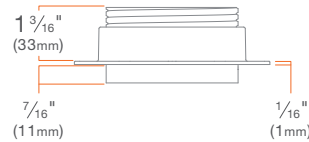
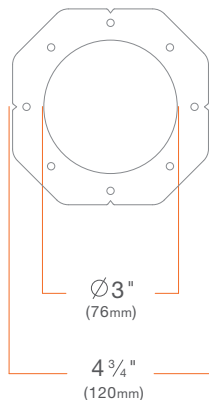


**Wood Kit**

**X2KRWOOD**

**SUMMARY:** Wood Kit (Required for New Construction installation in wood ceiling. Must be mounted on wood before installation to ceiling.)

**CEILING:** 0.5" up to 1.25"



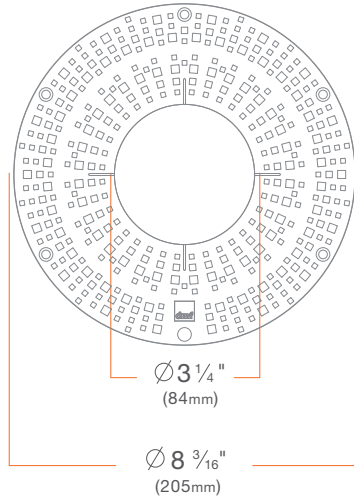
ACCESSORIES

**Retrofit Kit - 6" to 2" Round Conversion**

**X2KRRETRO6**

**SUMMARY:** Retrofit Conversion Kit (Used to convert existing 6" fixture to a 2" fixture)

**CEILING:** Can be installed in any ceiling thickness

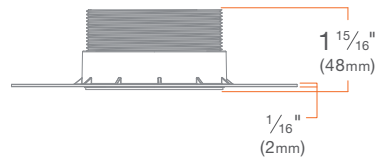
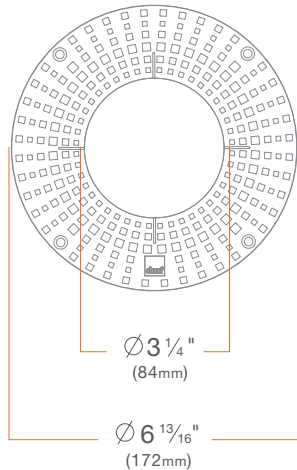


**Retrofit Kit - 4" or 5" to 2" Round Conversion**

**X2KRRETRO45**

**SUMMARY:** Retrofit Conversion Kit (Used to convert existing 4" or 5" fixture to a 2" fixture)

**CEILING:** Can be installed in any ceiling thickness



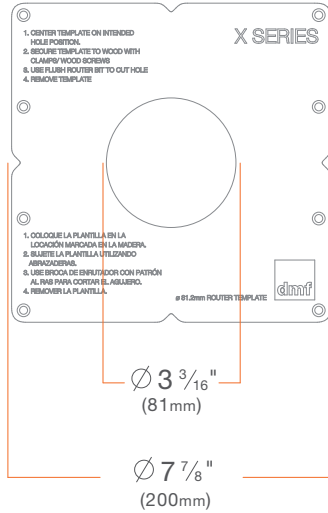
ACCESSORIES



**Router Template**

**X2KRTEMPLATE**

**SUMMARY:** Router Template (Recommended for routing 3 3/16" [81mm] cutout in wood ceiling)

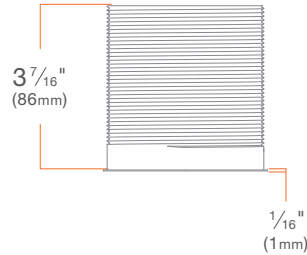
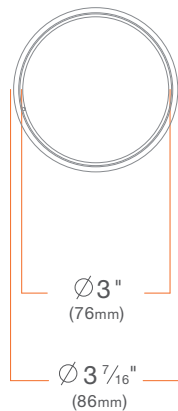


**Extension Collar**

**X2CREXT**

**SUMMARY:** Extension Collar for drywall ceiling

**CEILING:** 1/2" up to 3"



## ACCESSORIES

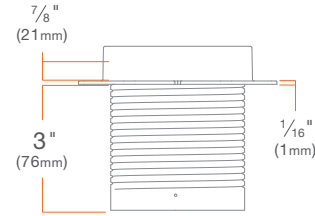
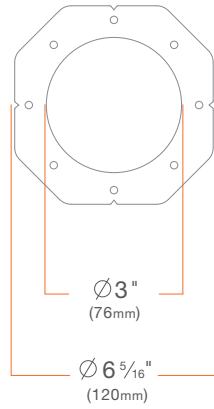


### Wood Extension Collar

**X2KRWOODXL**

**SUMMARY:** Extension Collar for wood ceiling

**CEILING:** 1/2" up to 3"

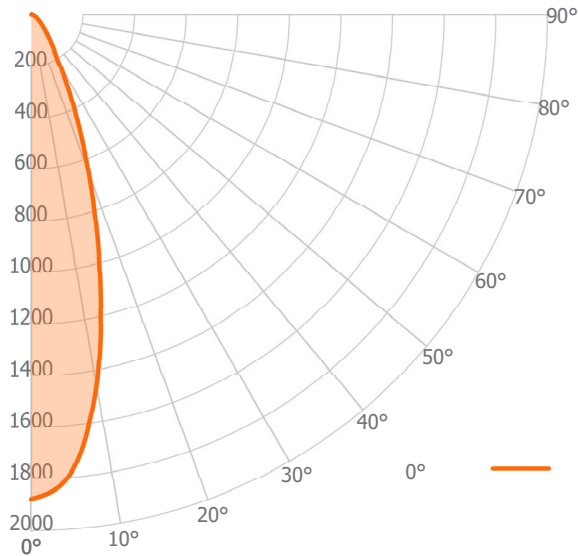


PHOTOMETRY

1000 lm, Tunable White (4000K-1800K), Spot **ART2D-10TT1SPX**

2" Standard White Trim **X2TRDSWH**

Candela Distribution



Luminous Intensity

Angle	Luminous Intensity (cd)
0°	1878
5°	1783
10°	1459
15°	1029
20°	651
25°	387
30°	221
35°	143
40°	95
45°	65
50°	46
55°	32
60°	25
65°	19
70°	14
75°	10
80°	6
85°	3
90°	1

Zonal Lumen Summary

Zone	Lumens	Luminaire %
0° - 30°	623	75%
0° - 40°	715	86%
0° - 60°	797	96%
0° - 90°	830	100%
0° - 180°	830	100%

Illuminance Chart

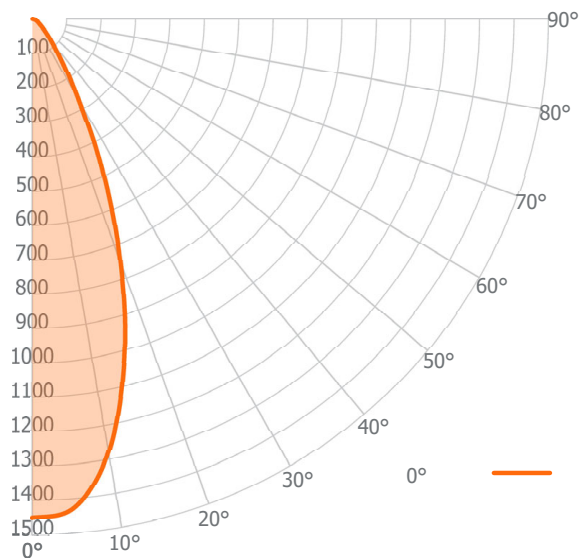
Distance from LED	Foot Candles	Diameter
3 ft	208.7 fc	1.7 ft
6 ft	52.2 fc	3.5 ft
9 ft	23.2 fc	5.2 ft
12 ft	13.0 fc	7.0 ft

Input Watts: **14.0 W**  
 Lumens: **830 lm**  
 Efficacy: **59 lm/W**  
 Beam Angle: **32°**

1000 lm, Tunable White (4000K-1800K), Flood **ART2D-10TT1FLX**

2" Standard White Trim **X2TRDSWH**

Candela Distribution



Luminous Intensity

Angle	Luminous Intensity (cd)
0°	1451
5°	1425
10°	1279
15°	1034
20°	752
25°	481
30°	269
35°	152
40°	91
45°	58
50°	39
55°	26
60°	20
65°	16
70°	12
75°	8
80°	5
85°	3
90°	1

Zonal Lumen Summary

Zone	Lumens	Luminaire %
0° - 30°	634	76%
0° - 40°	735	88%
0° - 60°	807	97%
0° - 90°	834	100%
0° - 180°	834	100%

Illuminance Chart

Distance from LED	Foot Candles	Diameter
3 ft	161.2 fc	2.2 ft
6 ft	40.3 fc	4.5 ft
9 ft	17.9 fc	6.7 ft
12 ft	10.1 fc	9.0 ft

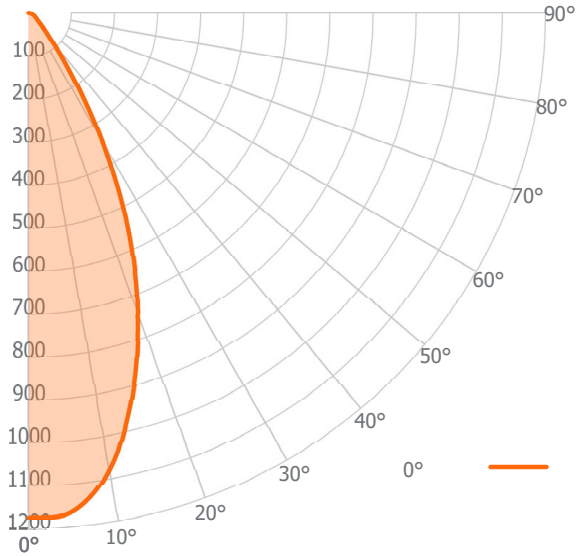
Input Watts: **14.0 W**  
 Lumens: **834 lm**  
 Efficacy: **60 lm/W**  
 Beam Angle: **41°**

PHOTOMETRY

1000 lm, Tunable White (4000K-1800K), Wide Flood **ART2D-10TT1WFX**

2" Standard White Trim **X2TRDSWH**

Candela Distribution



Luminous Intensity

Angle	Luminous Intensity (cd)
0°	1175
5°	1165
10°	1081
15°	927
20°	743
25°	545
30°	342
35°	177
40°	91
45°	52
50°	32
55°	23
60°	19
65°	15
70°	11
75°	8
80°	5
85°	3
90°	1

Zonal Lumen Summary

Zone	Lumens	Luminaire %
0° - 30°	609	74%
0° - 40°	728	89%
0° - 60°	793	97%
0° - 90°	819	100%
0° - 180°	819	100%

Illuminance Chart

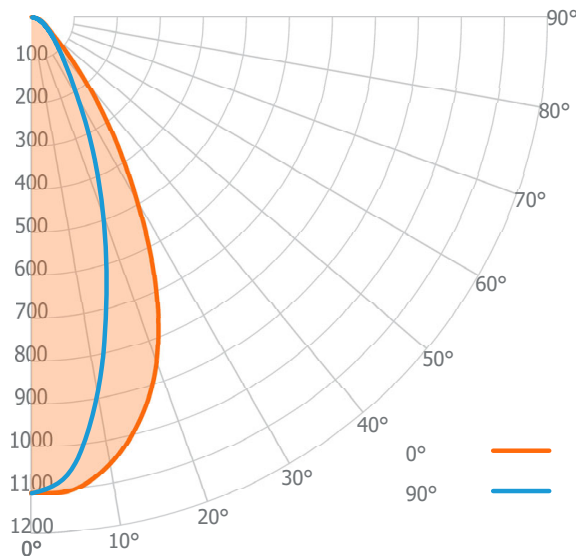
Distance from LED	Foot Candles	Diameter
3 ft	130.6 fc	2.7 ft
6 ft	32.6 fc	5.3 ft
9 ft	14.5 fc	8.0 ft
12 ft	8.2 fc	10.6 ft

Input Watts: **14.0 W**  
 Lumens: **819 lm**  
 Efficacy: **59 lm/W**  
 Beam Angle: **48°**

1000 lm, Tunable White (4000K-1800K), Linear Spread **ART2D-10TT1LSX**

2" Standard White Trim **X2TRDSWH**

Candela Distribution



Luminous Intensity

Angle	Luminous Intensity (cd)
0°	1109
5°	1104
10°	1056
15°	972
20°	853
25°	683
30°	492
35°	329
40°	201
45°	119
50°	74
55°	51
60°	39
65°	30
70°	22
75°	15
80°	9
85°	4
90°	1

Zonal Lumen Summary

Zone	Lumens	Luminaire %
0° - 30°	523	66%
0° - 40°	653	82%
0° - 60°	755	95%
0° - 90°	796	100%
0° - 180°	796	100%

Illuminance Chart

Distance from LED	Foot Candles	Diameter
3 ft	123.2 fc	3.2 ft
6 ft	30.8 fc	6.5 ft
9 ft	13.7 fc	9.7 ft
12 ft	7.7 fc	13.0 ft

Input Watts: **14.0 W**  
 Lumens: **796 lm**  
 Efficacy: **57 lm/W**  
 Beam Angle: **57° x 36°**