

Project:	Type:
Product Code:	Date:

V032425



Artafex 4" Round Downlight

HIGH PERFORMANCE Produces up to 1000 lumens of True Spectrum® lighting for natural, true-to-life colors without sacrificing stellar efficiency

PRECISE CONTROL Field-changeable light distribution ranging from 15° to 90°+

DIM TO DARK Smooth, flicker-free dimming down to 0.1% with centralized or local control

FAST INSTALL Integrated driver, plug-and-play connection, and Twist & Lock Trims

MODULAR DESIGN Flexibility during and after installation with interchangeable modules, optics and trims

INSTALLATION

Ceiling Thickness

New Construction: 1/2" up to 1 3/4"

Spray Foam: 1/2" up to 2"

Standard Remodel: 1/2" up to 1 1/4"

Fire Rated Remodel: 5/8" up to 1 1/4"

Low Profile: 1/2" up to 1 1/4"

Extension Collar: 1 3/4" up to 3"

(For use with Standard New Construction Only)

Ceiling Material

Drywall, Millwork, Concrete

TRIMS

Shape

Round

Style

Standard, Flangeless, Wall Wash/Sloped Ceiling, Pinhole, Hyperbolic, Decorative

Finish

White, Black, Bronze, Clear Diffuse, Custom Color(RAL Colors)

LIGHT OUTPUT & DISTRIBUTION

Module

Downlight

Lumens (Power)

1000 lm (14.5W)

Color Quality

True Spectrum®, 3-step SDCM

Color Temperature

 Tunable White (4000K-1800K)

Beam Spread



25° Spot



40° Flood



60° Wide Flood



90°+ General



40° x 20° Linear Spread



Soft Focus

POWER & CONTROLS

Input Voltage

120 / 277V

Dimming

PhaseX (0.1%)

RATINGS & CERTIFICATIONS



IC (Insulation Contact) Rated



ASTM E283 Certified Air Tight



Code compliant for use in fire-rated assemblies up to a maximum of 2-hours



STC/IIC Sound Rated



Chicago Plenum



RoHS Compliant



UL Listed for Wet Location
(Flanged trims, under covered areas only)



NSF Listed
(White and Black finish only)

WARRANTY

5 year limited warranty; 50,000 hours



PRODUCT BUILDER

M SERIES HOUSING

PRODUCT CODE		APPLICATION		SHAPE		RATING	
M4				R			
M4	4" Housing	NC	New Construction	R	Round	S	Standard ²
		CP	Chicago Plenum ¹			F	Fire Rated ²
		LT	Low Profile, TRIAC/ELV (3" Plenum)				
		DH	Double Housing ¹				
		RM	Remodel				
		CC	Concrete Construction				

¹ Only available in Standard rating

² Not available for Concrete Construction installation

GATEWAY

PRODUCT CODE	
ART-GWX	
ART-GWX	DMX Input

ARTAFEX 4" DOWNLIGHT MODULE

PRODUCT CODE		LUMENS		CRI	CCT	BEAM SPREAD		FINISH		DIMMING			
ART4D		10		T	T1			-		X			
ART4D	Downlight	10	1000 lm	T	True Spectrum [®]	T1	Tunable White (4000K- 1800K)	GA	General Ambient (90°+)	[Blank]	Black	X	PhaseX
								SP	Spot (25°)				
								FL	Flood (40°)				
								WF	Wide Flood (60°)				
								LS	Linear Spread				
								SF	Soft Focus				

M SERIES TRIM

PRODUCT CODE		FINISH		OPTION	
M4TRS	Standard	WH	White	[Blank]	None
M4TRH	Hyperbolic ³	BK	Black	DOF	Decorative: Open, Frosted ⁵
M4TRP	Pinhole ³	BZ	Bronze	DCF	Decorative: Closed, Frosted ⁵
M4TRL	Wall Wash/Sloped Ceiling ⁴	CW	Clear Diffuse, White Flange	DCC	Decorative: Closed, Clear, Frosted Side ⁵
		CC	Custom Color (RAL Colors)	DCCF	Decorative: Closed, Clear, Frosted Inside ⁵
				FL	Flangeless ⁶

³ Only available in White, Black or Custom Color finish

⁴ Recommended with General Ambient Beam Spread for General Wallwashing and Spot Beam Spread for Sloped Ceiling; Not available in Bronze finish

⁵ Only available in Standard style, White finish; Only available with General Ambient beam spread

⁶ Not available in Clear Diffuse finish; Not available for Decorative option, Concrete Construction or Remodel Housing; Mudplate is required for all Flangeless trims except for wood ceiling applications

PRODUCT BUILDER

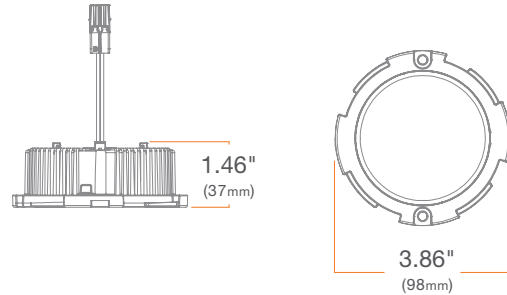
M4XRMUD	Flangeless Mud Plate <i>(Required for Flangeless Trim drywall installation)</i>
M4KRTEMPLATE	Router Template <i>(Recommended for wood installation)</i>
M4CREXT	Extension Collar <i>(for ceiling install up to 3")</i> ⁷

⁷ Only available in Standard rating

OPTICS ACCESSORIES

DID2X-GA	Fixed Conversion Kit: Artafex 4" Module to General Ambient (90°+)
DID2X-SP	Fixed Spot (25°)
DID2X-FL	Fixed Flood (40°)
DID2X-WF	Fixed Wide Flood (60°)
DID2X-LS	Fixed Linear Spread (40° x 20°)
DID2X-SF	Fixed Soft Focus
DID2X-OP	Fixed Optics Kit: Spot (25°), Flood (40°), Wide Flood (60°), Linear Spread (40° x 20°), Soft Focus

DOWNLIGHT MODULE



SUMMARY

TUNABLE WHITE

CCT	4000K - 1800K
LUMENS (POWER)	1000 lm (14.5W)
EFFICACY	71 lm/W
COLOR QUALITY	True Spectrum® 93 CRI, 3-step SDCM
DIMMING	PhaseX
LED CHIP	Bridgelux
BEAM SPREAD	General Ambient (90°+), Spot (25°), Flood (40°), Wide Flood (60°), Linear Spread (40° x 20°), Soft Focus
LISTINGS	ENERGY STAR® qualified ¹ , California Title 24 2016-2022 JA8-E compliant, UL Listed for Wet Location, UL Certified US-CA, Declare, RoHS compliant, NSF/ANSI 2 listed, suitable for splash-zone ²

¹ Refer to ENERGY STAR Certified light fixtures database

² This product is evaluated in accordance to NSF/ANSI 2 for Splash Zone having designated trim finishes

ADDITIONAL

INPUT VOLTAGE: 120/277V, 50/60Hz

MAX INPUT CURRENT (120V): 0.13 amps

MAX INPUT CURRENT (277V): 0.065 amps

CONNECTOR: PowerPlug® Luminaire Disconnect Model 182, 6-pin Molex

POWER FACTOR: Greater than 0.9

TOTAL HARMONIC DISTORTION: Less than 20%

AMBIENT OPERATING TEMPERATURE: -20°C to 40°C

WARRANTY: 5 year limited warranty; 50,000 hours at 70% lumen maintenance

HOUSING



M Series

New Construction

SUMMARY

JUNCTION BOX: Equipped with 10 knockouts: two 1/2" and two 3/4" trade size knockouts on top, two 1/2" trade size knockouts on side, four romex knockouts on top. Approved for 8 (four in, four out) #12 AWG 70°C.

MOUNTING: Pre-installed mounting brackets allow vertical adjustment of bar hangers up to 1 1/4".

CEILING: 1/2" up to 1 3/4"

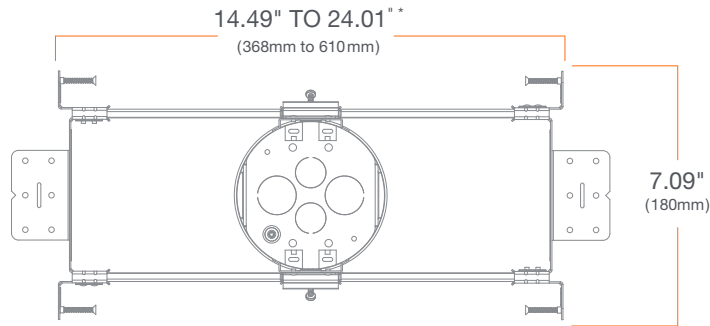
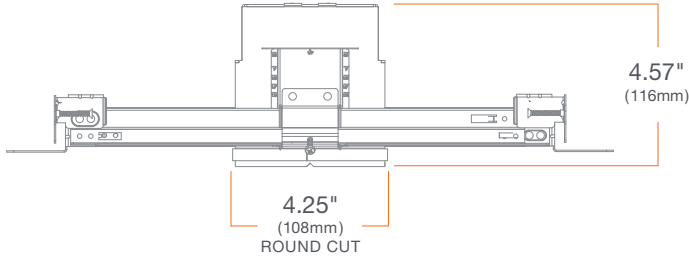
CUTOUT: 4 1/4" (108mm) round opening

LISTINGS: Metallic outlet box certified UL514A, code compliant for use in appropriate fire-rated assemblies for up to 2-hours (Fire Rated only), STC/IIC Sound Rated, ASTM E283 certified Air Tight, IC (Insulation Contact) rated

WARRANTY: 5 year limited warranty

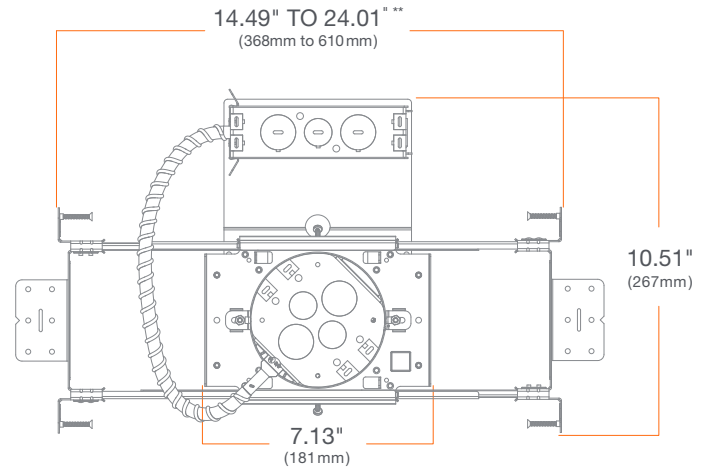
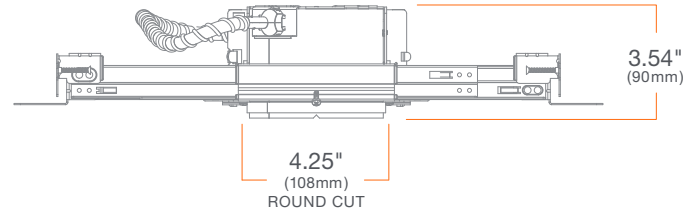
New Construction

- M4NCRS (Standard)
- M4NCRF (Fire Rated)
- M4CPRS (Chicago Plenum)



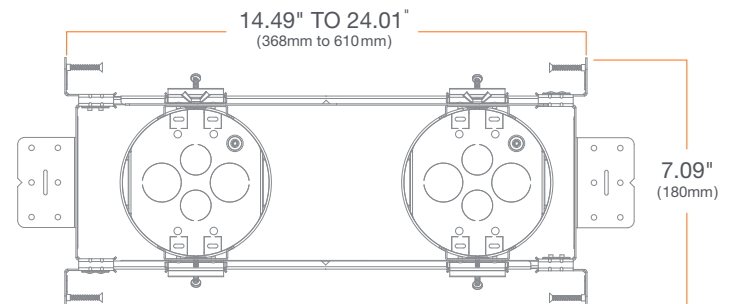
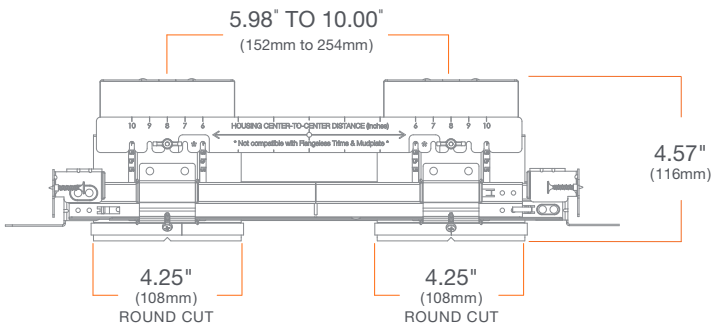
Low-Profile

- M4LTRS (Standard)
- M4LTRF (Fire Rated)



Double Housing

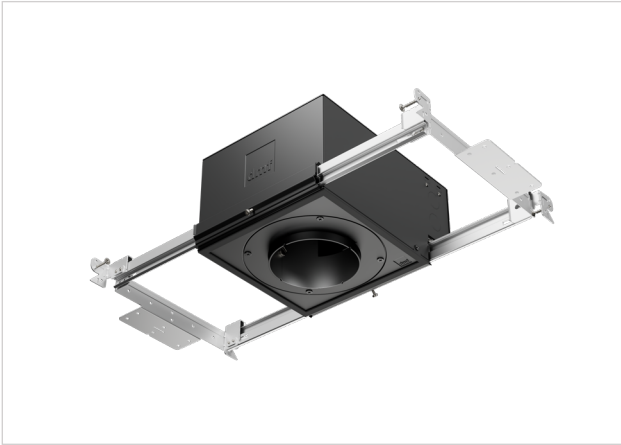
- M4DHRS



* Can be field cut to minimum 7 1/2" (191mm)

** Can be field cut to minimum 9" (229mm)

HOUSING



Spray Foam

M4SFRS

SUMMARY

JUNCTION BOX: Equipped with six knockouts: four 1/2" trade size knockouts, two 3/4" trade size knockouts, and four romex knockouts. Approved for 8 (four in, four out) #12 AWG 70° C

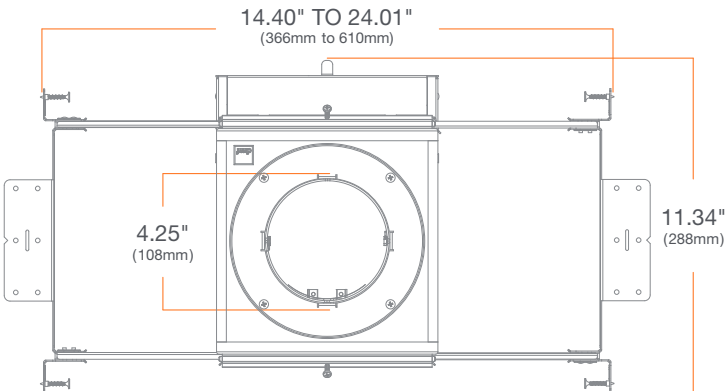
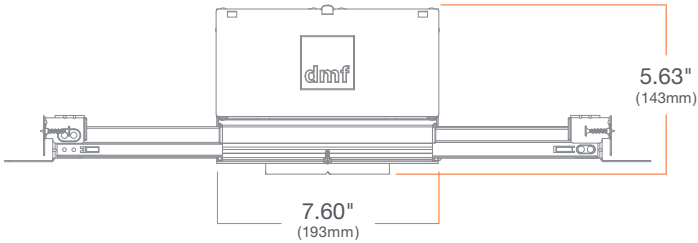
MOUNTING: Adjustable Bar Hanger for 16" to 24" joist spacing. Compatible with traditional joists, Armstrong TM ceiling, Hat Channel and T-bar

CEILING: 1/2" to 2"

CUTOUT: 4 1/4" (108mm) round opening

LISTINGS: ASTM E283 certified Air Tight, IC (Insulation Contact) up to R-32 for Roll, Batt, and Loose Fill, up to R-60 Spray Foam with standard trims, up to R-32 Spray Foam with other trims or Hex Louver

WARRANTY: 5 year limited warranty



HOUSING



M Series

Remodel

M4RMRS (Standard)

M4RMRF (Fire Rated)

SUMMARY

JUNCTION BOX: Equipped with 8 knockouts: two 1/2" and two 3/4" trade size knockouts on top, four romex knockouts on top. Approved for 8 (four in, four out) #12 AWG 70°C.

MOUNTING: Pre-installed mounting spring clips

CEILING: 5/8" up to 1 1/4"

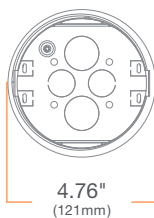
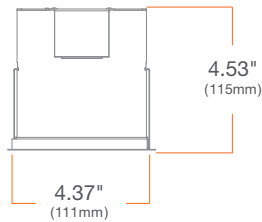
CUTOUT: Standard Version : 4 3/8" (111mm) round opening
 Fire Rated Version : 4 1/2" (114mm) round opening

LISTINGS: Metallic outlet box certified UL514A, code compliant for use in appropriate fire-rated assemblies for up to 2-hours (Fire Rated only), STC/IIC Sound Rated, ASTM E283 certified Air Tight, IC (Insulation Contact) rated

WARRANTY: 5 year limited warranty

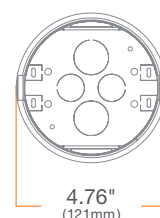
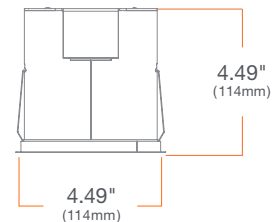
Standard

M4RMRS



Fire Rated

M4RMRF



HOUSING



M Series

Concrete Construction

M4CC

SUMMARY

JUNCTION BOX: Equipped with (4) trade size concentric knockouts (3/4" + 1/2") to allow straight conduit runs. Approved for 8 (four in, four out) #12 AWG 90°C.

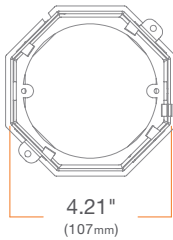
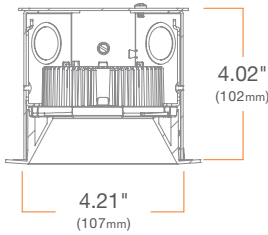
MOUNTING: (2) external tabs for wood, steel or concrete mounting

COVER: Removable top cover for easy access to electrical wiring work prior to concrete pour

APPLICATION: Poured deck (floor) high-rise new construction

LISTINGS: Metallic outlet box certified UL514A, concrete tight, code compliant for use in appropriate fire-rated assemblies for up to 2-hours, STC/IIC Sound Rated, ASTM E283 certified Air Tight

WARRANTY: 5 year limited warranty



TRIMS



M Series

4" Round Trims

M4TR

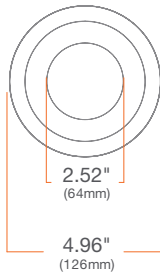
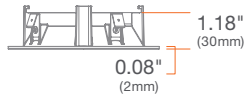
SUMMARY

CONSTRUCTION: Die-cast aluminum

INSTALLATION: Twist & Lock

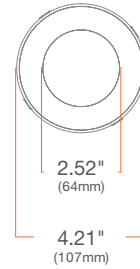
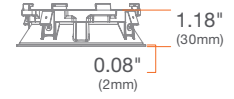
Standard

M4TRSWH



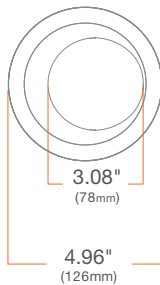
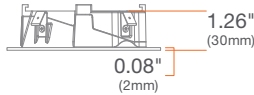
Standard Flangeless

M4TRSWHFL



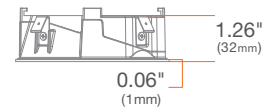
Wall Wash/Sloped Ceiling

M4TRLWH



Wall Wash/Sloped Ceiling Flangeless

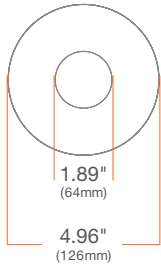
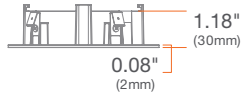
M4TRLWHFL



TRIMS

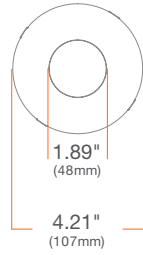
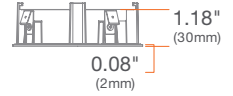
Pinhole

M4TRPWH



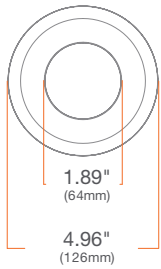
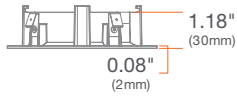
Pinhole Flangeless

M4TRPWHFL



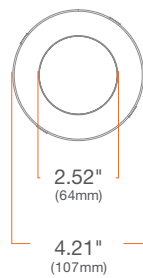
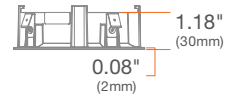
Hyperbolic

M4TRHWH



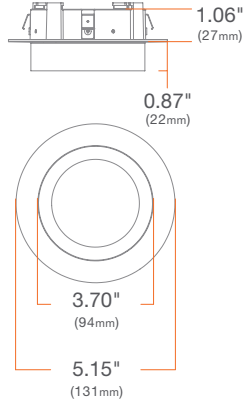
Hyperbolic Flangeless

M4TRHWHFL

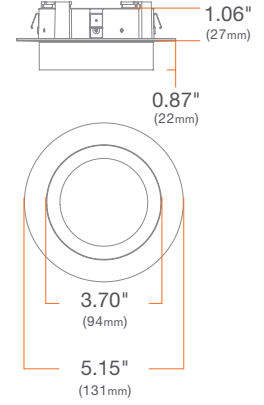


TRIMS

Decorative Closed

Frosted: **M4TRSWHDCF**Clear, Frosted Inside: **M4TRSWHDCC**Clear, Frosted Sides: **M4TRSWHDCCF**

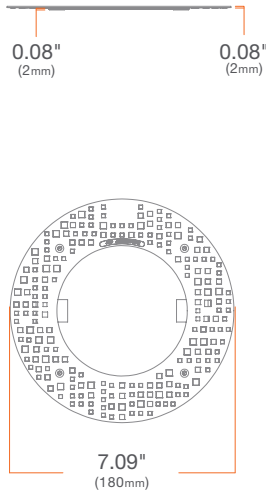
Decorative Open

Frosted: **M4TRSWHDOF**

ACCESSORIES

Flangeless Mud Plate

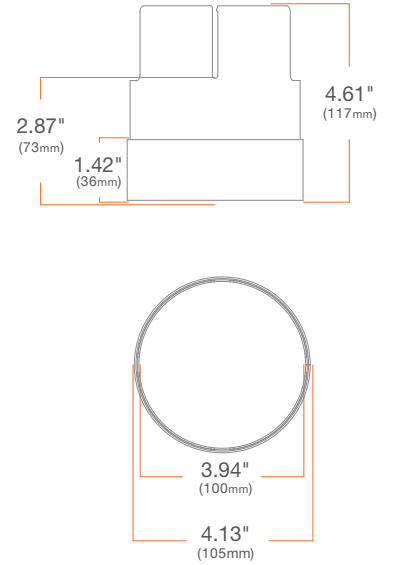
M4XRMUD



Extension Collar

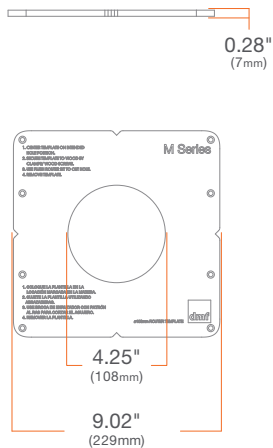
*For use with Standard New Construction Only

M4CREXT



Router Template

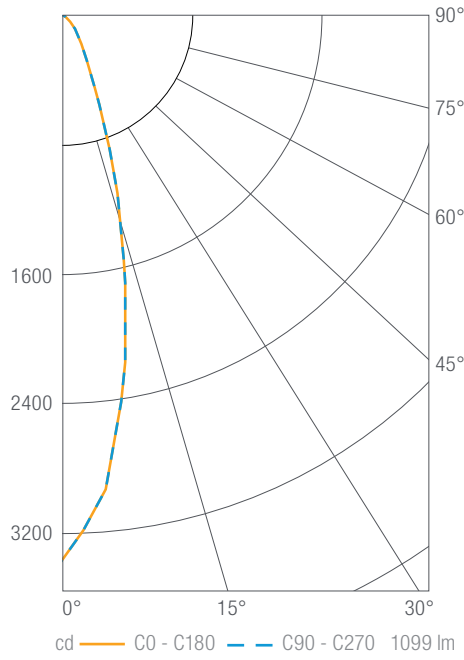
M4KRTEMPLATE



PHOTOMETRY

ART4D 1000 lm, 3000K, Spot

ART4DM10930SP



Luminous Intensity

Gamma	C 0°
0°	3366
5°	2967
10°	2203
15°	1391
20°	775
25°	419
30°	248
35°	167
40°	119
45°	87
50°	62
55°	43
60°	26
65°	15
70°	7
75°	4
80°	2
85°	1
90°	0

Values in candela

Zonal Lumen Summary

Zone	Lumens	Luminaire %
0-30	862	78
0-40	971	88
0-60	1078	98
0-90	1098	100
0-180	1099	100

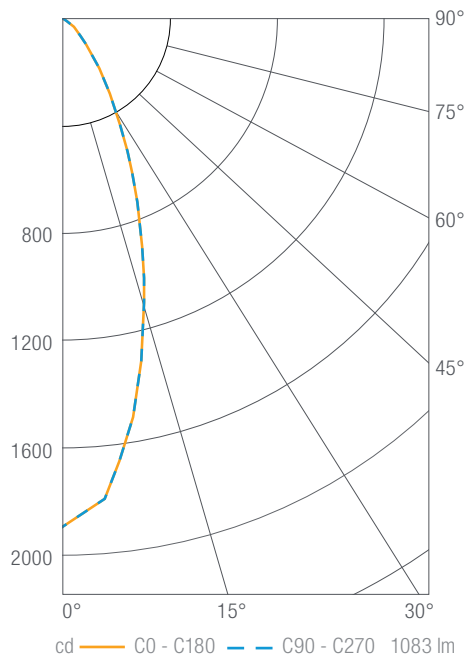
Illuminance Chart

Distance from LED	Foot Candles	Diameter
3'	374	1.4'
6'	93	2.8'
9'	42	4.2'
12'	23	5.6'

Beam Angle: 26°

ART4D 1000 lm, 3000K, Flood

ART4DM10930FL



Luminous Intensity

Gamma	C 0°
0°	1890
5°	1792
10°	1503
15°	1161
20°	849
25°	589
30°	391
35°	256
40°	162
45°	107
50°	74
55°	51
60°	30
65°	18
70°	8
75°	5
80°	3
85°	1
90°	0

Values in candela

Zonal Lumen Summary

Zone	Lumens	Luminaire %
0-30	760	70
0-40	925	85
0-60	1058	98
0-90	1081	100
0-180	1083	100

Illuminance Chart

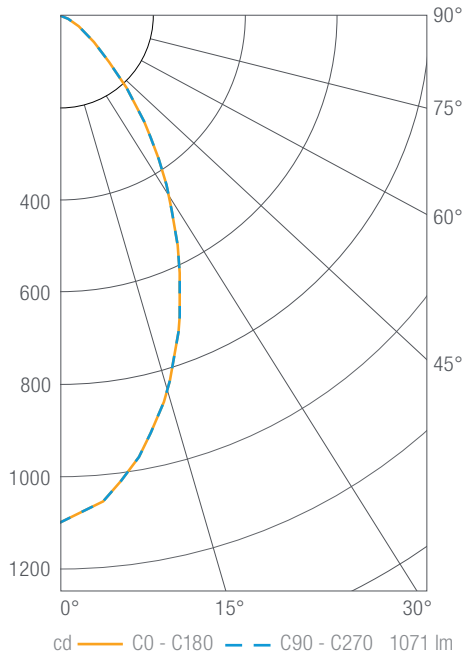
Distance from LED	Foot Candles	Diameter
3'	210	2.0'
6'	52	4.0'
9'	23	6.0'
12'	13	8.0'

Beam Angle: 37°

PHOTOMETRY

ART4D 1000 lm, 3000K, Wide Flood

ART4DM10930WF



Luminous Intensity

Gamma	C 0°
0°	1100
5°	1058
10°	973
15°	866
20°	743
25°	609
30°	478
35°	361
40°	252
45°	161
50°	102
55°	68
60°	41
65°	24
70°	11
75°	6
80°	4
85°	2
90°	0

Values in candela

Zonal Lumen Summary

Zone	Lumens	Luminaire %
0-30	620	58
0-40	845	79
0-60	1037	97
0-90	1069	100
0-180	1071	100

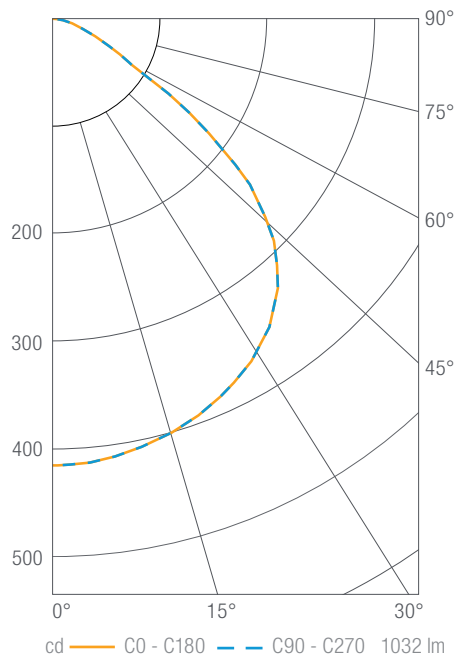
Illuminance Chart

Distance from LED	Foot Candles	Diameter
3'	122	3.1'
6'	31	6.2'
9'	14	9.3'
12'	8	12.3'

Beam Angle: 55°

ART4D 1000 lm, 3000K, General Ambient

ART4DM10930GA



Luminous Intensity

Gamma	C 0°
0°	416
5°	415
10°	410
15°	403
20°	394
25°	382
30°	369
35°	351
40°	327
45°	291
50°	240
55°	162
60°	84
65°	54
70°	33
75°	21
80°	12
85°	6
90°	1

Values in candela

Zonal Lumen Summary

Zone	Lumens	Luminaire %
0-30	333	32
0-40	557	54
0-60	942	91
0-90	1024	99
0-180	1032	100

Illuminance Chart

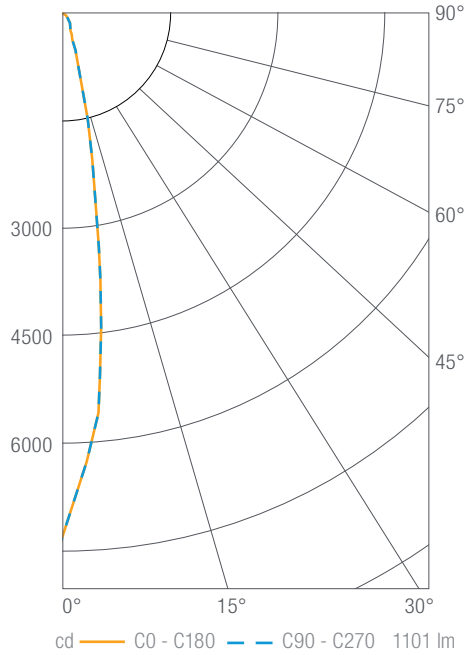
Distance from LED	Foot Candles	Diameter
3'	46	7.8'
6'	12	15.5'
9'	5	23.3'
12'	3	31.1'

Beam Angle: 100°

PHOTOMETRY

ART4D 1000 lm, 3000K, Soft Focus

ART4DM10930SF



Luminous Intensity

Gamma	C 0°
0°	7280
5°	5603
10°	2489
15°	875
20°	381
25°	247
30°	194
35°	161
40°	122
45°	90
50°	64
55°	45
60°	28
65°	16
70°	7
75°	4
80°	2
85°	1
90°	0

Values in candela

Zonal Lumen Summary

Zone	Lumens	Luminaire %
0-30	868	79
0-40	968	88
0-60	1078	98
0-90	1100	100
0-180	1101	100

Illuminance Chart

Distance from LED	Foot Candles	Diameter
3'	809	0.9'
6'	202	1.7'
9'	90	2.6'
12'	51	3.4'

Beam Angle: 16°